

Richtek Product Tree

Central Marketing Division

August 2023



Index

[LDO Vin max ≤ 7V with Fixed Vout](#)

[LDO Vin max ≤ 7V with Adj. Vout](#)

[LDO Vin max > 7V](#)

[Buck Converter Vin < 7V \(≤1A\) \(1.5A-2A\) \(3A-5A\) \(>6A\)](#)

[Buck Converter 7V ≤ Vin < 24V \(1.5A-2A\) \(2A-3A\) \(3A-4A\) \(4A-6A\) \(6A-8A\) \(>10A\)](#)

[Buck Converter 36 ≤ Vin ≤ 42V](#)

[Buck Converter Vin ≥ 60V](#)

[Boost Converter/Controller](#)

[Buck-Boost Converter/Controller](#)

[PD Solutions for the System Side](#)

[Battery Charger/Gauge Solutions](#)

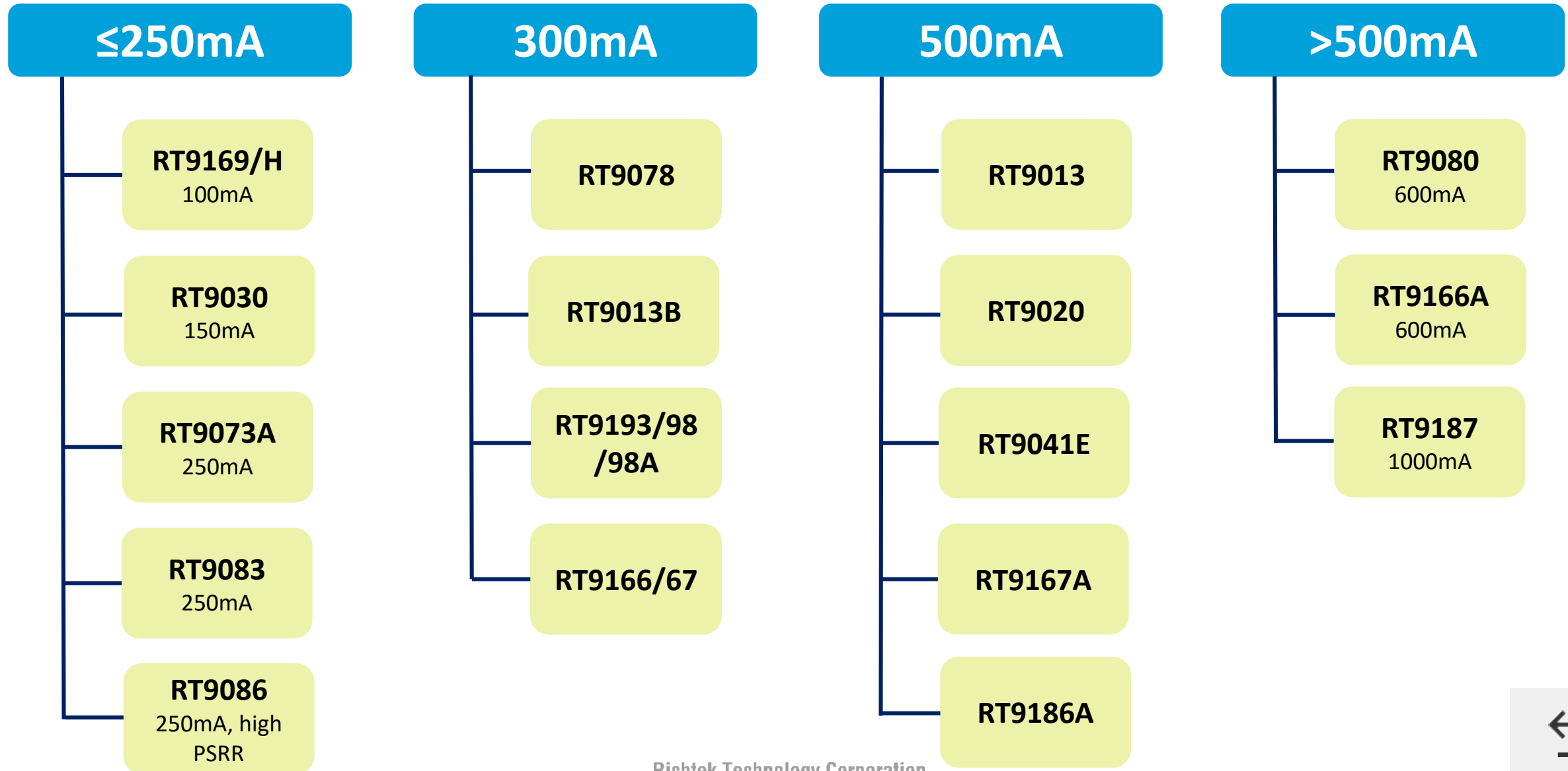
[Wireless Charger](#)

[Protection IC](#)

[Development Tools](#)

[Evaluation Boards](#)

LDO Vin max ≤ 7V with Fixed Vout





More Info



WWW

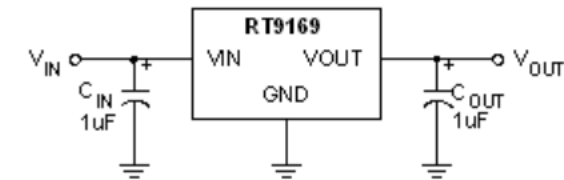
RT9169/H

100mA, 4 μ A Quiescent Current CMOS LDO Regulator

Key Spec

	RT9169	RT9169H
Status	Active	Active
V _{in} (min) (V)	2	2
V _{in} (max) (V)	6	6
V _{out} (min) (V)	1.2	1.2
V _{out} (max) (V)	5	5
Output Adj. Method	Fixed	Fixed
Accuracy (+/- %)	2	2
I _{out} (max) (mA)	100	100
I _q (typ) (μ A)	4	4
V _{dropout} @ rated current (typ) (mV)	450 @ 0.1A	450 @ 0.1A

Simplified Circuit



Application

- Battery-Powered Equipment
- Palmtops, Notebook Computers
- Hand-held Instruments
- PCMCIA Cards



RT9030

150mA, Low Input Voltage, Low Dropout, Low Noise Ultra-Fast Without Bypass Capacitor CMOS LDO Regulator



More Info

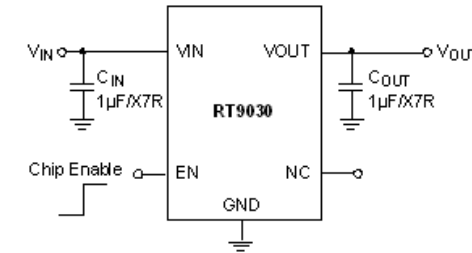


WWW

Key Spec

	RT9030
Status	Active
Vin (min) (V)	1.65
Vin (max) (V)	5.5
Vout (min) (V)	1
Vout (max) (V)	3.3
Output Adj. Method	Fixed
Accuracy (+/- %)	2
Iout (max) (mA)	150
Iq (typ) (uA)	25
Vdropout @ rated current (typ) (mV)	100 @ 0.15A;150 @ 0.15A

Simplified Circuit



Application

- CDMA/GSM Cellular Handsets
- Portable Information Appliances
- Laptop, Palmtops, Notebook Computers
- Hand-Held Instruments
- Mini PCI & PCI-Express Cards
- PCMCIA & New Cards





More Info



WWW

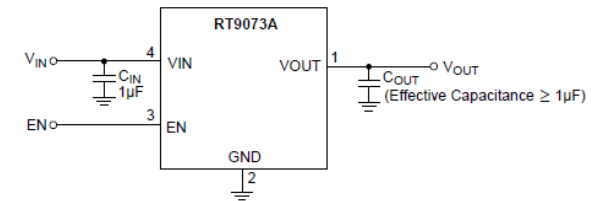
RT9073A

1 μ A I_Q, 250mA Low-Dropout Linear Regulator

Key Spec

	RT9073A
Status	Active
Vin (min) (V)	1.2
Vin (max) (V)	5.5
Vout (min) (V)	0.9
Vout (max) (V)	3.3
Output Adj. Method	Fixed
Accuracy (+/- %)	2
Iout (max) (mA)	250
Iq (typ) (uA)	1
Vdropout @ rated current (typ) (mV)	450 @ 0.25A

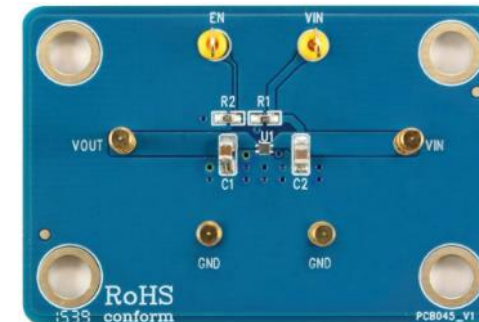
Simplified Circuit



Application

- Portable, Battery Powered Equipment
- Ultra Low Power Microcontrollers
- Notebook Computers

Evaluation Board



Richtek Technology Corporation



BACK



More Info



WWW

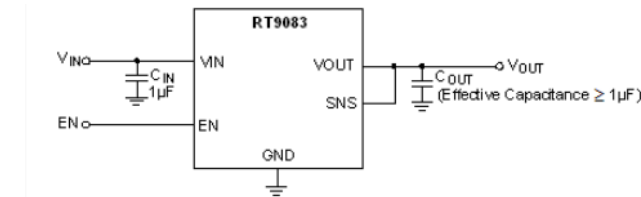
RT9083

30 μ A I_Q , 250mA Low-Dropout Linear Regulator

Key Spec

	RT9083	RT9083N
Status	Active	Active
Vin (min) (V)	1.2	1.2
Vin (max) (V)	5.5	5.5
Vout (min) (V)	0.9	0.9
Vout (max) (V)	3.3	3.3
Output Adj. Method	Fixed;Resistor	Fixed
Accuracy (+/- %)	2	2
Iout (max) (mA)	250	250
Iq (typ) (μ A)	30	30
Vdropout @ rated current (typ) (mV)	450 @ 0.25A	450 @ 0.25A

Simplified Circuit



Application

- Portable, Battery Powered Equipment
- Ultra Low Power Microcontrollers
- Notebook computers





More Info



WWW

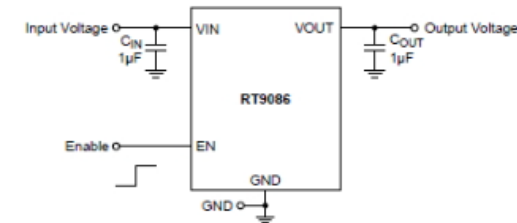
RT9086

250mA, Ultra-Low Noise, Low Quiescent Current, LDO Regulator

Key Spec

	RT9086
Status	Active
Vin (min) (V)	2.2
Vin (max) (V)	5.5
Vout (min) (V)	1.2
Vout (max) (V)	4.5
Output Adj. Method	Fixed
Accuracy (+/- %)	2;3
Iout (max) (mA)	250
Iq (typ) (uA)	16
Vdropout @ rated current (typ) (mV)	120 @ 0.25A

Simplified Circuit



Application

- Mobile Phones, Tablets
- Digital Cameras and Audio Devices
- Portable and Battery-Powered Equipment
- Portable Medical Equipment
- Smart Meters
- IP Cameras
- Drones
- Telecom/Networking Cards
- Wireless Infrastructures
- Medical Equipment





More Info



WWW

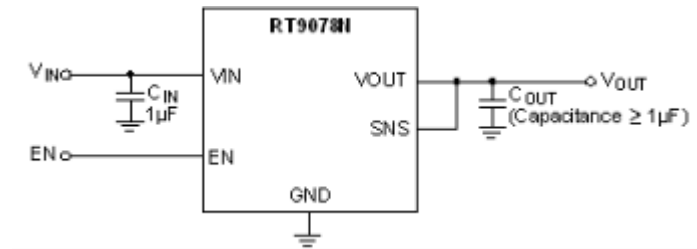
RT9078

2 μ A I_Q, 300mA Low-Dropout Linear Regulator

Key Spec

	RT9078
Status	Active
V _{in} (min) (V)	1.2
V _{in} (max) (V)	5.5
V _{out} (min) (V)	0.8
V _{out} (max) (V)	3.45
Output Adj. Method	Fixed;Resistor
Accuracy (+/- %)	2
I _{out} (max) (mA)	300
I _q (typ) (uA)	2
V _{dropout} @ rated current (typ) (mV)	150 @ 0.3A

Simplified Circuit



Application

- Portable, Battery Powered Equipment
- Ultra Low Power Microcontrollers
- Notebook Computers





More Info



WWW

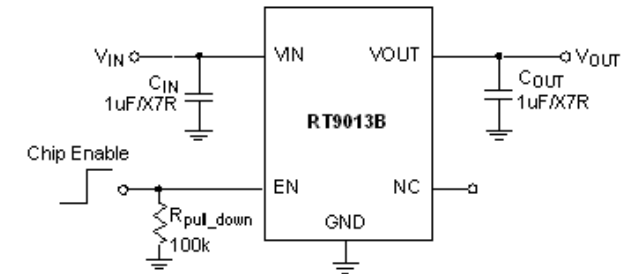
RT9013B

300mA, Low Dropout, Low Noise Ultra-Fast Without Bypass Capacitor CMOS LDO Regulator

Key Spec

	RT9013B
Status	Active
Vin (min) (V)	2.2
Vin (max) (V)	5.5
Vout (min) (V)	1.2
Vout (max) (V)	3.5
Output Adj. Method	Fixed
Accuracy (+/- %)	2
Iout (max) (mA)	300
Iq (typ) (uA)	25
Vdropout @ rated current (typ) (mV)	125 @ 0.3A

Simplified Circuit



Application

- CDMA/GSM Cellular Handsets
- Portable Information Appliances
- Laptop, Palmtops, Notebook Computers
- Hand-Held Instruments
- Mini PCI & PCI-Express Cards
- PCMCIA & New Cards





More Info



WWW

RT9193

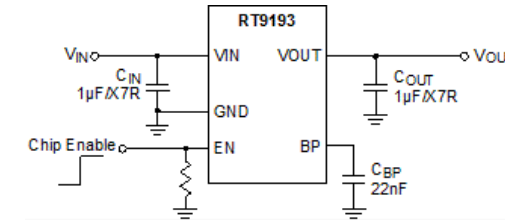
300mA, Ultra-Low Noise, Ultra-Fast CMOS LDO

Regulator

Key Spec

	RT9193
Status	Active
Vin (min) (V)	2.5
Vin (max) (V)	5.5
Vout (min) (V)	1.5
Vout (max) (V)	5
Output Adj. Method	Fixed
Accuracy (+/- %)	2
Iout (max) (mA)	300
Iq (typ) (uA)	90
Vdropout @ rated current (typ) (mV)	220 @ 0.3A

Simplified Circuit



Application

- CDMA/GSM Cellular Handsets
- Battery-Powered Equipment
- Laptop, Palmtops, Notebook Computers
- Hand-Held Instruments
- PCMCIA Cards
- Portable Information Appliances





More Info



WWW

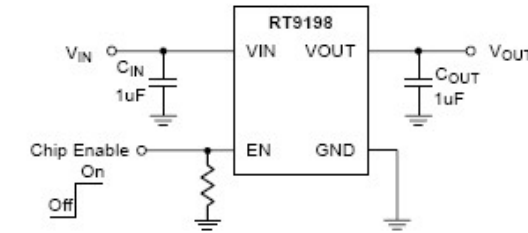
RT9198/RT9198A

300mA, Low Noise, Ultra-Fast CMOS LDO Regulator

Key Spec

	RT9198	RT9198A
Status	Active	Active
V _{in} (min) (V)	2.5	2.5
V _{in} (max) (V)	5.5	5.5
V _{out} (min) (V)	1.5	1.5
V _{out} (max) (V)	5	5
Output Adj. Method	Fixed	Fixed
Accuracy (+/- %)	2	2
I _{out} (max) (mA)	300	300
I _q (typ) (uA)	90	90
V _{dropout} @ rated current (typ) (mV)	220 @ 0.3A	220 @ 0.3A

Simplified Circuit



Application

- CDMA/GSM Cellular Handsets
- Battery-Powered Equipment
- Laptop, Palmtops, Notebook Computers
- Hand-Held Instruments
- PCMCIA Cards
- Portable Information Appliances





More Info



WWW

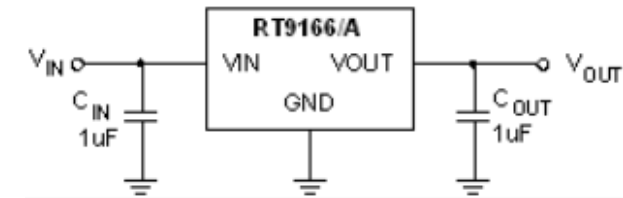
RT9166/RT9166A

300/600mA, Ultra-Fast Transient Response LDO Regulator

Key Spec

	RT9166	RT9166A
Status	Active	Active
V _{in} (min) (V)	2.8	2.8
V _{in} (max) (V)	5.5	5.5
V _{out} (min) (V)	1.2	1.2
V _{out} (max) (V)	4.5	4.5
Output Adj. Method	Fixed	Fixed
Accuracy (+/- %)	3	3
I _{out} (max) (mA)	300	600
I _q (typ) (uA)	220	220
V _{dropout} @ rated current (typ) (mV)	230 @ 0.3A;580 @ 0.6A	230 @ 0.3A;580 @ 0.6A

Simplified Circuit



Application

- CD/DVD-ROM, CD/RW
- Wireless LAN Card/Keyboard/Mouse
- Battery-Powered Equipment
- XDSL Router
- PCMCIA Card





More Info



WWW

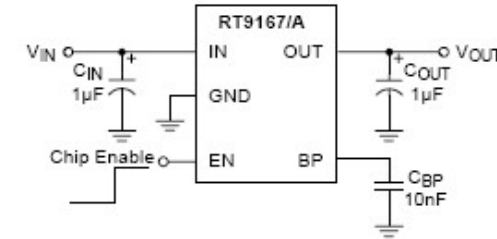
RT9167/RT9167A

Low-Noise, Fixed Output Voltage, 300mA/500mA LDO Regulator

Key Spec

	RT9167	RT9167A
Status	Active	Active
V _{in} (min) (V)	2.9	2.9
V _{in} (max) (V)	7	7
V _{out} (min) (V)	1.5	1.5
V _{out} (max) (V)	5	5
Output Adj. Method	Fixed	Fixed
Accuracy (+/- %)	2	2
I _{out} (max) (mA)	300	500
I _q (typ) (uA)	90	90
V _{dropout} @ rated current (typ) (mV)	350 @ 0.3A; 600 @ 0.5A	350 @ 0.3A; 600 @ 0.5A

Simplified Circuit



Application

- Cellular Telephones
- Laptop, Notebook, and Palmtop Computers
- Battery-powered Equipment
- Hand-held Equipment





More Info



WWW

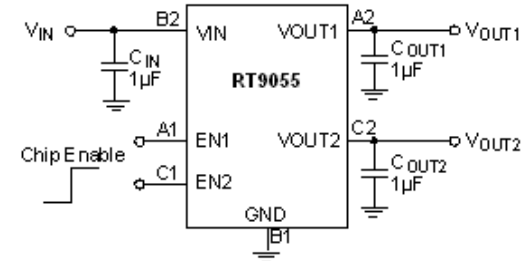
RT9055 300mA Dual LDO Regulator

Key Spec

	RT9055
Status	Active
Vin (min) (V)	1.5
Vin (max) (V)	5.5
Number of Outputs	2
Vout (min) (V)	1
Vout (max) (V)	3.5
Fixed Vout Option (V)	1;1.1;1.2;1.25;1.3;1.4;1.5;1.6;1.8; 1.85;1.9;2.0;2.1;2.5;2.6;2.65;2.7; 2.8;2.85;2.9;3.0;3.1;3.15;3.2;3.3; 3.5
Output Adj. Method	Fixed
Accuracy (+/- %)	2
Iout (max) (A)	0.3

Richtek Technology Corporation

Simplified Circuit



Application

- Cellular Handsets
- Battery Powered Equipment
- Hand-Held Instruments
- Portable Information Appliances

Evaluation Board



BACK



More Info



WWW

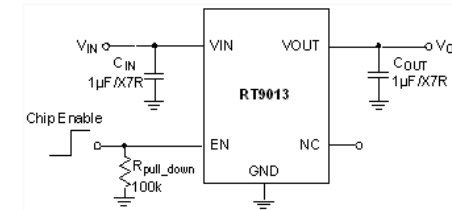
RT9013

500mA, Low Dropout, Low Noise Ultra-Fast Without Bypass Capacitor CMOS LDO Regulator

Key Spec

	RT9013
Status	Active
Vin (min) (V)	2.2
Vin (max) (V)	5.5
Vout (min) (V)	1.2
Vout (max) (V)	3.3
Output Adj. Method	Fixed
Accuracy (+/- %)	2
Iout (max) (mA)	500
Iq (typ) (uA)	25
Vdropout @ rated current (typ) (mV)	250 @ 0.5A

Simplified Circuit



Application

- CDMA/GSM Cellular Handsets
- Portable Information Appliances
- Laptop, Palmtops, Notebook Computers
- Hand-Held Instruments
- Mini PCI & PCI-Express Cards
- PCMCIA & New Cards





More Info



WWW

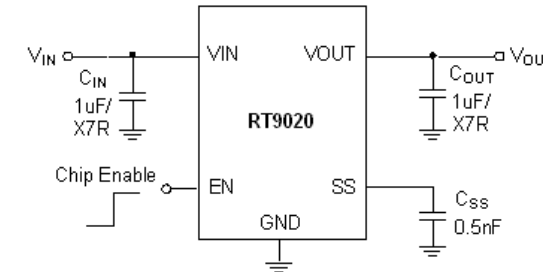
RT9020

500mA, Low Dropout, Low Noise Ultra-Fast With Soft Start CMOS LDO Regulator

Key Spec

	RT9020
Status	Active
Vin (min) (V)	2.2
Vin (max) (V)	5.5
Vout (min) (V)	1.2
Vout (max) (V)	3.3
Output Adj. Method	Fixed
Accuracy (+/- %)	2
Iout (max) (mA)	500
Iq (typ) (uA)	25
Vdropout @ rated current (typ) (mV)	250 @ 0.5A

Simplified Circuit



Application

- Digital Still Camera
- CDMA/GSM Cellular Handsets
- Portable Information Appliances
- Laptop, Palmtops, Notebook Computers
- Mini PCI & PCI-Express Cards
- PCMCIA & New Cards





More Info



WWW

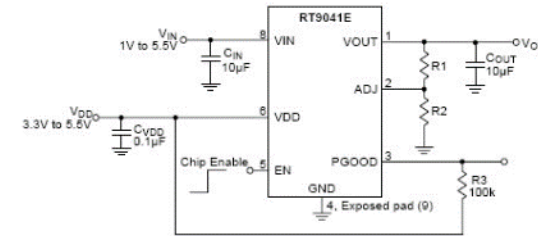
RT9041E

500mA, Low Voltage, LDO Regulator with External Bias Supply

Key Spec

	RT9041E
Status	Active
Vin (min) (V)	1
Vin (max) (V)	5.5
Vout (min) (V)	0.8
Vout (max) (V)	2.5
Output Adj. Method	Fixed;Resistor
Accuracy (+/- %)	2
Iout (max) (mA)	500
Iq (typ) (uA)	160
Vdropout @ rated current (typ) (mV)	300 @ 0.5A

Simplified Circuit



Application

- Set Top Box
- Notebook Computers
- VID Power Supplies
- PDAs
- Cell Phones
- Low Dropout Regulators with External Bias Supply





More Info



WWW

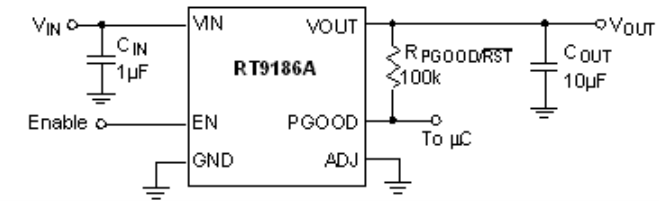
RT9186A

Low Profile 500mA LDO with Enable and Power Good

Key Spec

	RT9186A
Status	Active
Vin (min) (V)	2.5
Vin (max) (V)	5.5
Vout (min) (V)	0.8
Vout (max) (V)	4.5
Output Adj. Method	Fixed;Resistor
Accuracy (+/- %)	3
Iout (max) (mA)	500
Iq (typ) (uA)	190
Vdropout @ rated current (typ) (mV)	160 @ 0.5A

Simplified Circuit



Application

- Notebook Computer
- PDAs/SHDs
- PCMCIA/Cardbus Card Product
- Mobile Phone





More Info



WWW

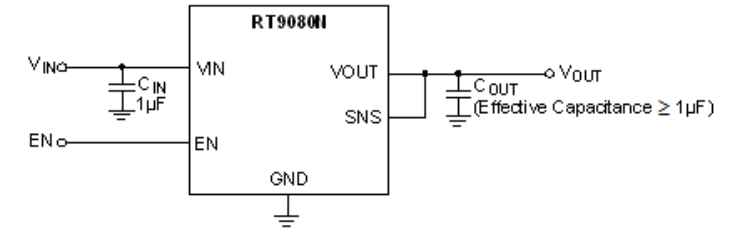
RT9080

2 μ A I_Q, 600mA Low-Dropout Linear Regulator

Key Spec

	RT9080
Status	Active
V _{in} (min) (V)	1.2
V _{in} (max) (V)	5.5
V _{out} (min) (V)	0.8
V _{out} (max) (V)	3.3
Output Adj. Method	Fixed;Resistor
Accuracy (+/- %)	2
I _{out} (max) (mA)	600
I _q (typ) (uA)	2
V _{dropout} @ rated current (typ) (mV)	310 @ 0.6A

Simplified Circuit



Application

- Portable, Battery Powered Equipment
- Ultra Low Power Microcontrollers
- Notebook Computers





More Info



WWW

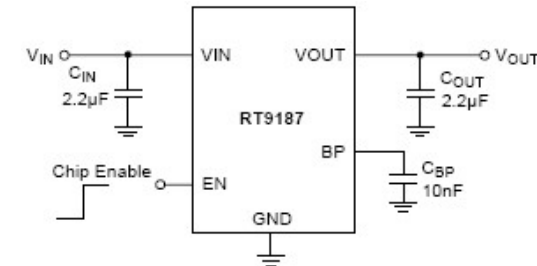
RT9187

1A, Ultra-Low Dropout, Ultra-Fast CMOS LDO Regulator

Key Spec

	RT9187
Status	Active
Vin (min) (V)	2.5
Vin (max) (V)	5.5
Vout (min) (V)	0.8
Vout (max) (V)	4.5
Output Adj. Method	Fixed;Resistor
Accuracy (+/- %)	1.5
Iout (max) (mA)	1000
Iq (typ) (uA)	380
Vdropout @ rated current (typ) (mV)	240 @ 1A

Simplified Circuit

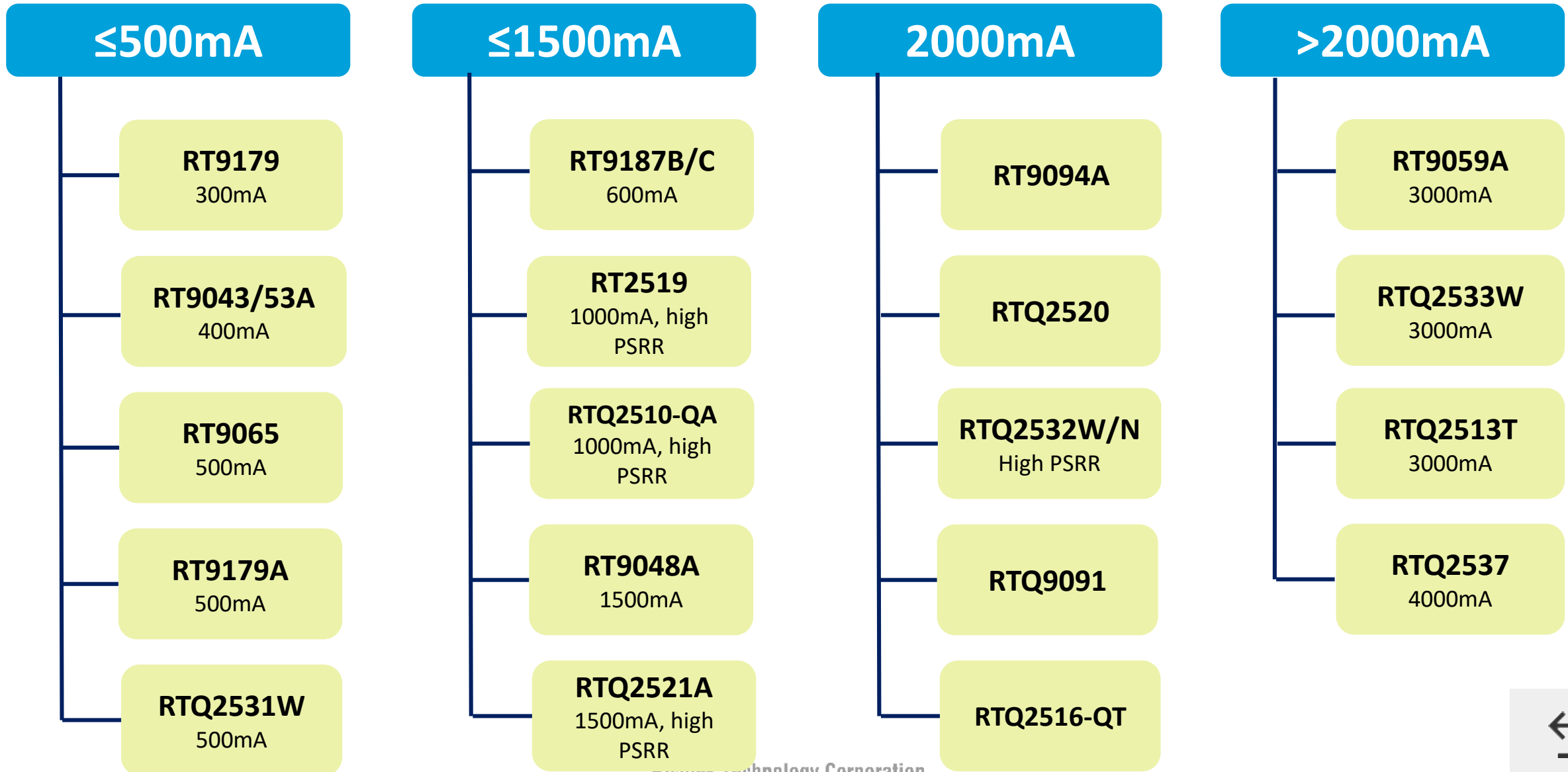


Application

- CDMA/GSM Cellular Handsets
- Battery-Powered Equipment
- Laptop, Palmtops, Notebook Computers
- Hand-Held Instruments
- Mini PCI & PCI-Express Cards
- PCMCIA & New Cards
- Portable Information Appliances



LDO Vin max ≤ 7V with Adj. Vout





More Info



WWW

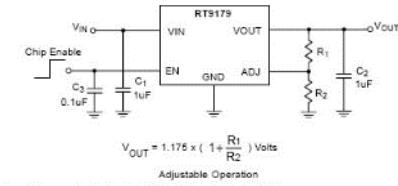
RT9179

Adjustable, 300mA LDO Regulator with Enable

Key Spec

	RT9179
Status	Active
Vin (min) (V)	3
Vin (max) (V)	5.5
Vout (min) (V)	1.175
Vout (max) (V)	4.5
Output Adj. Method	Resistor
Accuracy (+/- %)	1
Iout (max) (mA)	300
Iq (typ) (uA)	150
Vdropout @ rated current (typ) (mV)	300 @ 0.3A

Simplified Circuit



Note: The external feedback resistors are in hundreds of OHM to hundreds of KOHM ranges.

Application

- Battery-Powered Equipment
- Graphic Card
- Peripheral Cards
- PCMCIA Card





More Info



WWW

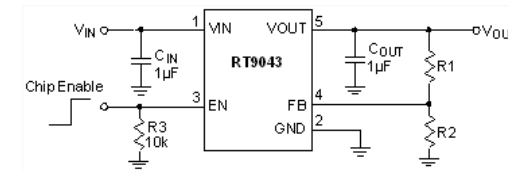
RT9043

High PSRR, Low Dropout, 400mA Adjustable LDO Regulator

Key Spec

	RT9043
Status	Active
V _{in} (min) (V)	2.2
V _{in} (max) (V)	5.5
V _{out} (min) (V)	1.2
V _{out} (max) (V)	5
Output Adj. Method	Resistor
Accuracy (+/- %)	1
I _{out} (max) (mA)	400
I _q (typ) (uA)	35
V _{dropout} @ rated current (typ) (mV)	230 @ 0.4A

Simplified Circuit



Application

- Mega SIM Card
- CDMA/GSM Cellular Handsets
- Portable Information Appliances
- Laptop, Palmtops, Notebook Computers
- Hand-Held Instruments
- Mini PCI & PCI-Express Cards
- PCMCIA & New Cards





More Info



WWW

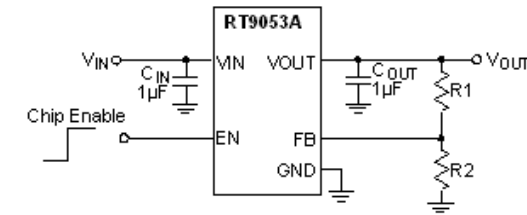
RT9053A

Low Dropout, 400mA Adjustable Linear Regulator

Key Spec

	RT9053A
Status	Active
Vin (min) (V)	2.2
Vin (max) (V)	5.5
Vout (min) (V)	0.8
Vout (max) (V)	5
Output Adj. Method	Resistor
Accuracy (+/- %)	1
Iout (max) (mA)	400
Iq (typ) (uA)	35
Vdropout @ rated current (typ) (mV)	230 @ 0.4A

Simplified Circuit



Application

- Mega Sim Card
- CDMA/GSM Cellular Handsets
- Portable Information Appliances
- Laptop, Palmtops, Notebook Computers
- Hand-Held Instruments
- Mini PCI & PCI-Express Cards
- PCMCIA & New Cards





More Info



WWW

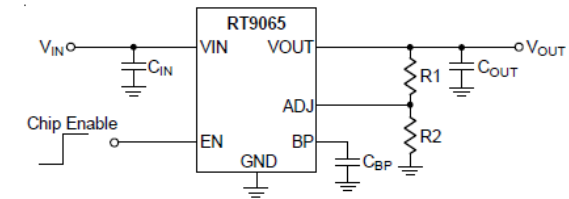
RT9065

500mA, Low Dropout, Low Noise, Ultra-Fast Linear Regulator

Key Spec

	RT9065
Status	Active
Vin (min) (V)	2.2
Vin (max) (V)	5.5
Vout (min) (V)	0.8
Vout (max) (V)	4.5
Output Adj. Method	Resistor
Accuracy (+/- %)	1.5
Iout (max) (mA)	500
Iq (typ) (uA)	90
Vdropout @ rated current (typ) (mV)	370 @ 0.5A

Simplified Circuit



Application

- CDMA/GSM Cellular Handsets
- Battery Powered Equipment
- Laptop, Palmtops, Notebook Computers
- Hand Held Instruments
- PCMCIA Cards
- Portable Information Appliances





More Info



WWW

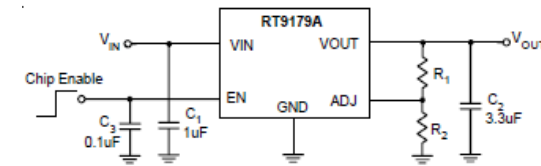
RT9179A

Adjustable, 500mA LDO Regulator with Enable

Key Spec

	RT9179A
Status	Active
V _{in} (min) (V)	3
V _{in} (max) (V)	5.5
V _{out} (min) (V)	1.175
V _{out} (max) (V)	4.5
Output Adj. Method	Resistor
Accuracy (+/- %)	1
I _{out} (max) (mA)	500
I _q (typ) (uA)	150
V _{dropout} @ rated current (typ) (mV)	400 @ 0.5A

Simplified Circuit



Application

- Battery-Powered Equipment
- Graphic Card
- Peripheral Cards
- PCMCIA Card





More Info



WWW

RTQ2531W

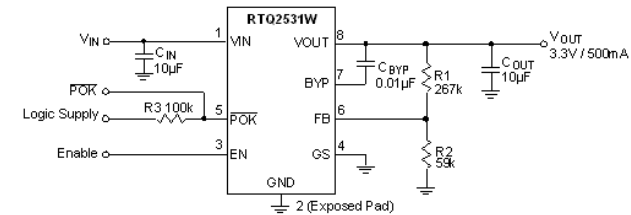
500mA, 5.5V, Low Noise Low Dropout Regulator

Key Spec

	RTQ2531W
Status	Active
Vin (min) (V)	1.7
Vin (max) (V)	5.5
Vout (min) (V)	0.6
Vout (max) (V)	5.3
Output Adj. Method	Resistor
Accuracy (+/- %)	1.5
Iout (max) (mA)	500
Iq (typ) (uA)	160
Vdropout @ rated current (typ) (mV)	150 @ 0.5A

Richtek Technology Corporation

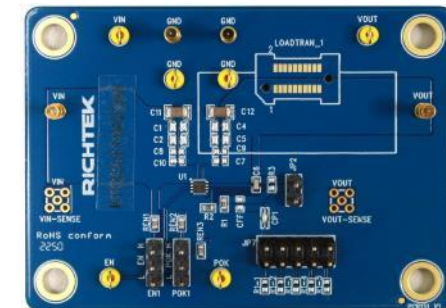
Simplified Circuit



Application

- Portable Electronic Device
- Optical Modules
- Camera Modules
- PLL/Synthesizer, Clocking
- Sensors
- Medium-Current, Noise Sensitive Applications

Evaluation Board



BACK



More Info



WWW

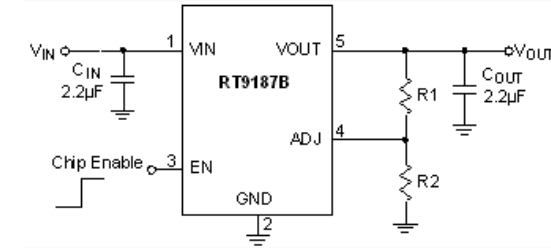
RT9187B

600mA, Ultra-Low Dropout, Ultra-Fast CMOS LDO Regulator

Key Spec

	RT9187B
Status	Active
V _{in} (min) (V)	2.5
V _{in} (max) (V)	5.5
V _{out} (min) (V)	0.8
V _{out} (max) (V)	4.5
Output Adj. Method	Resistor
Accuracy (+/- %)	2
I _{out} (max) (mA)	600
I _q (typ) (uA)	380
V _{dropout} @ rated current (typ) (mV)	100 @ 0.5A

Simplified Circuit



Application

- CDMA/GSM Cellular Handsets
- Battery-Powered Equipment
- Laptop, Palmtops, Notebook Computers
- Hand-Held Instruments
- Mini PCI & PCI-Express Cards
- PCMCIA & New Cards
- Portable Information Appliances





More Info



WWW

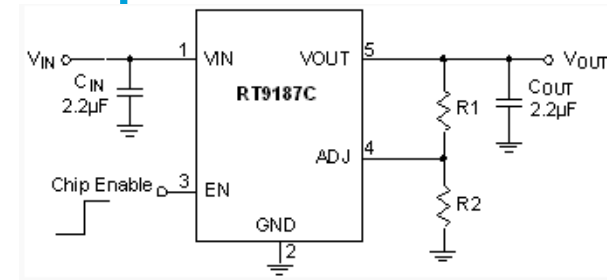
RT9187C

600mA, Ultra-Low Dropout, CMOS Regulator

Key Spec

	RT9187C
Status	Active
Vin (min) (V)	2.5
Vin (max) (V)	5.5
Vout (min) (V)	0.8
Vout (max) (V)	4.5
Output Adj. Method	Resistor
Accuracy (+/- %)	2
Iout (max) (mA)	600
Iq (typ) (uA)	300
Vdropout @ rated current (typ) (mV)	100 @ 0.5A

Simplified Circuit



Application

- CDMA/GSM Cellular Handsets
- Battery-Powered Equipment
- Laptop, Palmtops, Notebook Computers
- Hand-Held Instruments
- Mini PCI & PCI-Express Cards
- PCMCIA & New Cards
- Portable Information Appliances





More Info



WWW

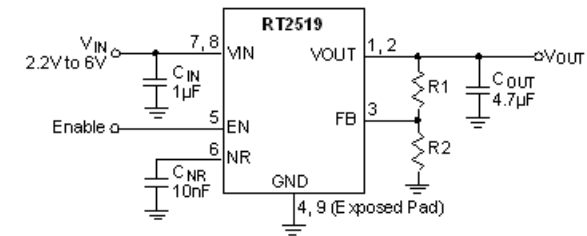
RT2519

1A, Low Noise, Ultra High PSRR, Low-Dropout Linear Regulator

Key Spec

	RT2519
Status	Active
Vin (min) (V)	2.2
Vin (max) (V)	6
Vout (min) (V)	0.8
Vout (max) (V)	5.5
Output Adj. Method	Resistor
Accuracy (+/- %)	3
Iout (max) (mA)	1000
Iq (typ) (uA)	190
Vdropout @ rated current (typ) (mV)	170 @ 1A

Simplified Circuit



Application

- Telecom/Networking Cards
- Motherboards/Peripheral Cards
- Industrial Applications
- Wireless Infrastructures
- Set-Top Boxes
- Medical Equipment
- Notebook Computers
- Battery Powered Systems

Evaluation Board





More Info



WWW

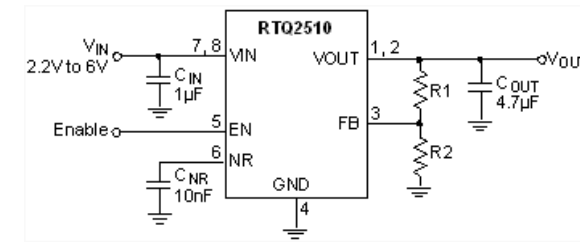
RTQ2510-QA

1A, Low Noise, Ultra High PSRR, Low-Dropout Linear Regulator

Key Spec

	RTQ2510-QA
Status	Active
Vin (min) (V)	2.2
Vin (max) (V)	6
Vout (min) (V)	0.8
Vout (max) (V)	5.5
Output Adj. Method	Resistor
Accuracy (+/- %)	3
Iout (max) (mA)	1000
Iq (typ) (uA)	190
Vdropout @ rated current (typ) (mV)	170 @ 1A

Simplified Circuit



Application

- Telecom/Networking Cards
- Motherboards/Peripheral Cards
- Industrial Applications
- Wireless Infrastructures
- Set-Top Boxes
- Medical Equipment
- Notebook Computers
- Battery Powered Systems





More Info



WWW

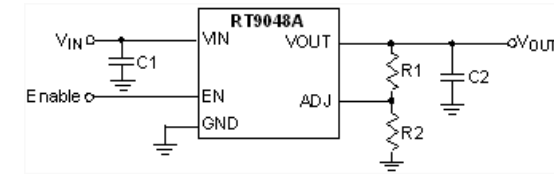
RT9048A

1.5A, Low Input Voltage, Ultra-Low Dropout Linear Regulator with Enable

Key Spec

	RT9048A
Status	Active
Vin (min) (V)	1.6
Vin (max) (V)	6
Vout (min) (V)	0.65
Vout (max) (V)	5.5
Output Adj. Method	Resistor
Accuracy (+/- %)	2
Iout (max) (mA)	1500
Iq (typ) (uA)	700
Vdropout @ rated current (typ) (mV)	180 @ 1.5A

Simplified Circuit



Application

- Telecom/Networking Cards
- Motherboards/Peripheral Cards
- Industrial Applications
- Wireless Infrastructures
- Set-Top Boxes
- Medical Equipment
- Notebook Computers
- Battery Powered Systems





More Info



WWW

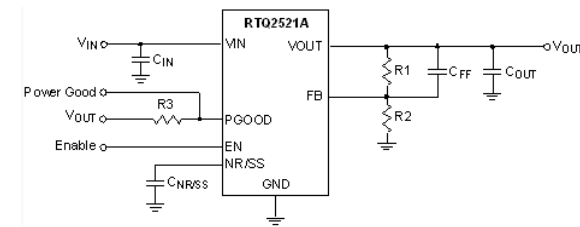
RTQ2521A

1.5A, 6.5V, Ultra Low Noise, Ultra Low Dropout Linear Regulator

Key Spec

	RTQ2521A
Status	Active
Vin (min) (V)	1.1
Vin (max) (V)	6.5
Vout (min) (V)	0.5
Vout (max) (V)	5.5
Output Adj. Method	Resistor
Accuracy (+/- %)	1.5
Iout (max) (mA)	1500
Iq (typ) (uA)	3700
Vdropout @ rated current (typ) (mV)	110 @ 1.5A

Simplified Circuit



Application

- Portable Electronic Device
- Wireless Infrastructure : SerDes, FPGA, DSP
- RF, IF Components : VCO, ADC, DAC, LVDS





More Info



WWW

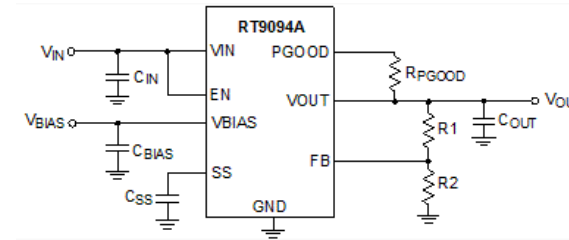
RT9094A

2A Ultra-Low Dropout Voltage LDO Regulators with Soft-Start

Key Spec

	RT9094A
Status	Active
Vin (min) (V)	0.8
Vin (max) (V)	5.5
Vout (min) (V)	0.8
Vout (max) (V)	3.6
Output Adj. Method	Resistor
Accuracy (+/- %)	2
Iout (max) (mA)	2000
Vdropout @ rated current (typ) (mV)	100 @ 2A
Bias Rail	Yes

Simplified Circuit



Application

- PCs, Servers, Modems, and Set-Top-Boxes
- FPGA Applications
- DSP Core and I/O Voltages
- Instrumentation
- Post-Regulation Applications
- Applications With Sequencing Requirements





More Info



WWW

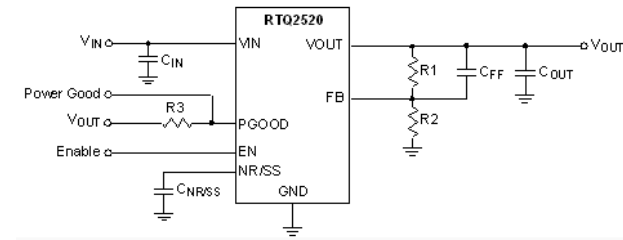
RTQ2520

2A, 6.5V, Ultra Low Noise, Ultra Low Dropout Linear Regulator

Key Spec

	RTQ2520
Status	Active
Vin (min) (V)	1.1
Vin (max) (V)	6.5
Vout (min) (V)	0.5
Vout (max) (V)	5.5
Output Adj. Method	Resistor
Accuracy (+/- %)	1
Iout (max) (mA)	2000
Iq (typ) (uA)	3700
Vdropout @ rated current (typ) (mV)	125 @ 2A

Simplified Circuit



Application

- Portable Electronic Device
- Wireless Infrastructure : SerDes, FPGA, DSP
- RF, IF Components : VCO, ADC, DAC, LVDS





More Info



WWW

RTQ2532W

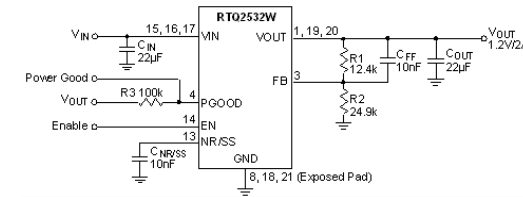
2A, 6.5V, Ultra Low Noise, Ultra Low Dropout Linear Regulator

Key Spec

	RTQ2532W
Status	Active
Vin (min) (V)	1.1
Vin (max) (V)	6.5
Vout (min) (V)	0.8
Vout (max) (V)	5.5
Output Adj. Method	Fixed;Resistor
Accuracy (+/- %)	1
Iout (max) (mA)	2000
Iq (typ) (uA)	3700
Vdropout @ rated current (typ) (mV)	125 @ 2A

Richtek Technology Corporation

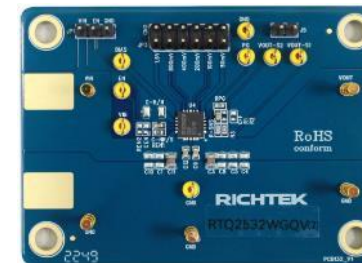
Simplified Circuit



Application

- Portable Electronic Devices
- Wireless Infrastructures : SerDes, FPGA, DSP
- RF, IF Components : VCO, ADC, DAC, LVDS

Evaluation Board



BACK



More Info



WWW

RTQ2532N

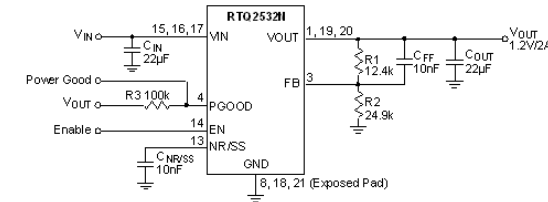
2A, 6.5V, Ultra Low Noise, Ultra Low Dropout Linear Regulator

Key Spec

	RTQ2532N
Status	Active
Vin (min) (V)	1.1
Vin (max) (V)	6.5
Vout (min) (V)	0.8
Vout (max) (V)	5.5
Output Adj. Method	Fixed;Resistor
Accuracy (+/- %)	1
Iout (max) (mA)	2000
Iq (typ) (uA)	3700
Vdropout @ rated current (typ) (mV)	125 @ 2A

Richtek Technology Corporation

Simplified Circuit



Application

- Portable Electronic Devices
- Wireless Infrastructures : SerDes, FPGA, DSP
- RF, IF Components : VCO, ADC, DAC, LVDS

Evaluation Board



BACK



More Info



WWW

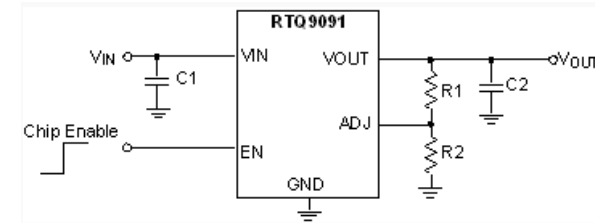
RTQ9091

2A, Low Input Voltage, Ultra-Low Dropout LDO Regulator with Enable

Key Spec

	RTQ9091
Status	Active
Vin (min) (V)	1.4
Vin (max) (V)	6
Vout (min) (V)	0.5
Vout (max) (V)	5.5
Output Adj. Method	Resistor
Accuracy (+/- %)	1.5
Iout (max) (mA)	2000
Iq (typ) (uA)	700
Vdropout @ rated current (typ) (mV)	240 @ 2A

Simplified Circuit



Application

- Telecom/Networking Cards
- Motherboards/Peripheral Cards
- Industrial Applications
- Wireless Infrastructure
- Set Top Box
- Medical Equipment
- Notebook Computers
- Battery Powered Systems





More Info



WWW

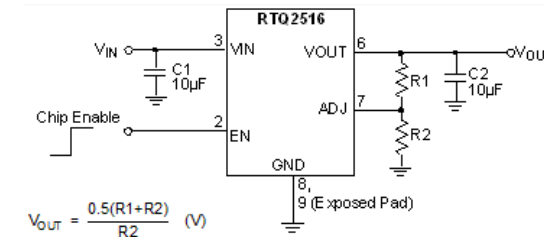
RTQ2516-QT

2A, Low Input Voltage, Ultra-Low Dropout LDO Regulator with Enable

Key Spec

	RTQ2516-QT
Status	Active
V _{in} (min) (V)	1.4
V _{in} (max) (V)	6
V _{out} (min) (V)	0.5
V _{out} (max) (V)	5.5
Output Adj. Method	Resistor
Accuracy (+/- %)	1.5
I _{out} (max) (mA)	2000
I _q (typ) (uA)	700
V _{dropout} @ rated current (typ) (mV)	240 @ 2A

Simplified Circuit



Application

- Telecom/Networking Cards
- Motherboards/Peripheral Cards
- Industrial Applications
- Wireless Infrastructure
- Set Top Box
- Medical Equipment
- Notebook Computers
- Battery Powered Systems





More Info



WWW

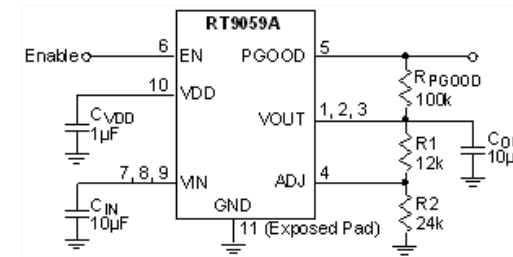
RT9059A

3A, Ultra-Low Dropout Voltage Regulator

Key Spec

	RT9059A
Status	Active
Vin (min) (V)	1
Vin (max) (V)	5.5
Vout (min) (V)	0.8
Vout (max) (V)	4
Output Adj. Method	Resistor
Accuracy (+/- %)	1.5
Iout (max) (mA)	3000
Iq (typ) (uA)	600
Vdropout @ rated current (typ) (mV)	250 @ 2A;350 @ 3A

Simplified Circuit



Application

- Notebook PC Applications
- Motherboard Applications





More Info



WWW

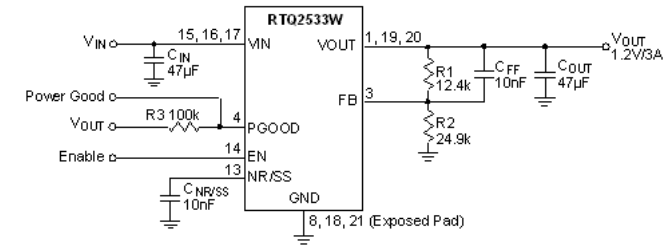
RTQ2533W

3A, 6.5V, Ultra Low Noise, Ultra Low Dropout Linear Regulator

Key Spec

	RTQ2533W
Status	Active
Vin (min) (V)	1.1
Vin (max) (V)	6.5
Vout (min) (V)	0.8
Vout (max) (V)	5.5
Output Adj. Method	Fixed;Resistor
Accuracy (+/- %)	1
Iout (max) (mA)	3000
Iq (typ) (uA)	4300
Vdropout @ rated current (typ) (mV)	110 @ 3A

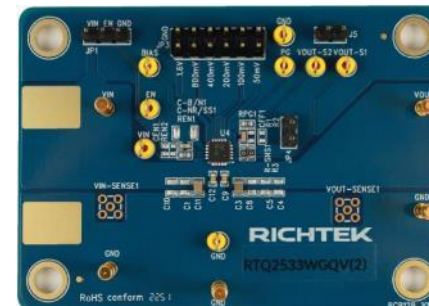
Simplified Circuit



Application

- Portable Electronic Devices
- Wireless Infrastructures : SerDes, FPGA, DSP
- RF, IF Components : VCO, ADC, DAC, LVDS

Evaluation Board





More Info



WWW

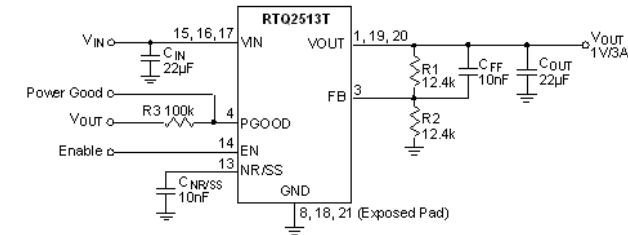
RTQ2513T

3A, 6.5V, Ultra Low Noise, Ultra Low Dropout Linear Regulator

Key Spec

	RTQ2513T
Status	Active
Vin (min) (V)	1.1
Vin (max) (V)	6.5
Vout (min) (V)	0.5
Vout (max) (V)	5.5
Output Adj. Method	Resistor
Accuracy (+/- %)	1
Iout (max) (mA)	3000
Iq (typ) (uA)	4200
Vdropout @ rated current (typ) (mV)	110 @ 3A

Simplified Circuit



Application

- Portable Electronic Devices
- Wireless Infrastructure : SerDes, FPGA, DSP
- RF, IF Components : VCO, ADC, DAC, LVDS





More Info



WWW

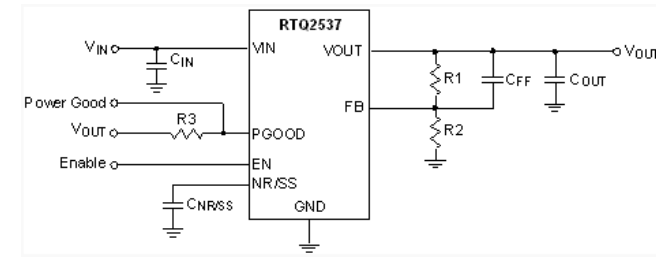
RTQ2537

4A, 6.5V, Ultra Low Noise, Ultra Low Dropout Linear Regulator

Key Spec

	RTQ2537
Status	Active
Vin (min) (V)	1.1
Vin (max) (V)	6.5
Vout (min) (V)	0.8
Vout (max) (V)	5.5
Output Adj. Method	Fixed;Resistor
Accuracy (+/- %)	1
Iout (max) (mA)	4000
Iq (typ) (uA)	4.3
Vdropout @ rated current (typ) (mV)	110 @ 4A

Simplified Circuit



Application

- Portable Electronic Devices
- Wireless Infrastructures : SerDes, FPGA, DSP
- RF, IF Components : VCO, ADC, DAC, LVDS



LDO Vin max > 7V

<100mA

RT9072B

Up to 80V,
20mA

RT9070B

Up to 70V,
20mA

RT9068

Up to 60V,
50mA

RT9022

Up to 20V,
60mA

≤200mA

RT9058

Up to 36V,
100mA

RT9074

Up to 60V,
100mA

RTQ2569-QA

Up to 36V,
100mA

RT9069

Up to 36V,
200mA

RT9077

Up to 14V,
200mA

500mA

RT9161

Up to 12V,
300mA

RT9161A

Up to 12V,
500mA

1000mA

RT9194

Up to 13.5V,
1000mA





More Info



WWW

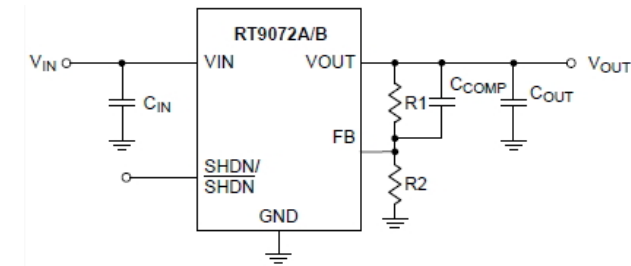
RT9072A/RT9072B

80V, Low Dropout Voltage Linear Regulator

Key Spec

	RT9072A	RT9072B
Status	EOL	Active
Vin (min) (V)	4.5	4.5
Vin (max) (V)	80	80
Vout (min) (V)	1.25	1.25
Vout (max) (V)	60	60
Output Adj. Method	Resistor	Resistor
Accuracy (+/- %)	2	2
Iout (max) (mA)	20	20
Iq (typ) (uA)	23	23
Vdropout @ rated current (typ) (mV)	180 @ 0.02A	180 @ 0.02A

Simplified Circuit



Application

- Low Current, High Voltage Regulators
- Battery Powered Applications
- Telecom and Datacom Applications
- Automotive Applications





More Info



WWW

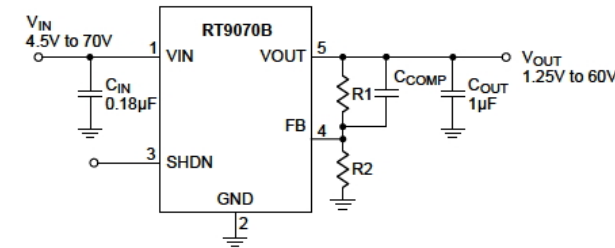
RT9070B

70V, Low Dropout Voltage Linear Regulator

Key Spec

	RT9070B
Status	Active
Vin (min) (V)	4.5
Vin (max) (V)	70
Vout (min) (V)	1.25
Vout (max) (V)	60
Output Adj. Method	Resistor
Accuracy (+/- %)	2
Iout (max) (mA)	20
Iq (typ) (uA)	23
Vdropout @ rated current (typ) (mV)	180 @ 0.02A

Simplified Circuit



Application

- Low Current, High Voltage Regulators
- Battery Powered Applications
- Telecom and Datacom Applications
- Automotive Applications





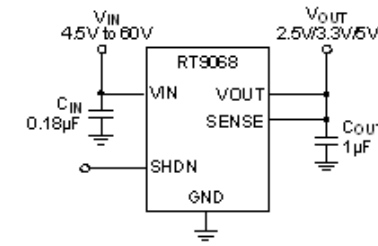
RT9068

60V, 30 μ A I_Q , Low Dropout Voltage Linear Regulator

Key Spec

	RT9068
Status	Active
Vin (min) (V)	4.5
Vin (max) (V)	60
Vout (min) (V)	1.25
Vout (max) (V)	60
Output Adj. Method	Fixed;Resistor
Accuracy (+/- %)	2
Iout (max) (mA)	50
Iq (typ) (μ A)	30
Vdropout @ rated current (typ) (mV)	15 @ 0.001A;150 @ 0.05A;55 @ 0.01A

Simplified Circuit



Application

- Low Current, High Voltage Regulators
- Battery Powered Applications
- Telecom and Datacom Applications
- Automotive Applications





More Info



WWW

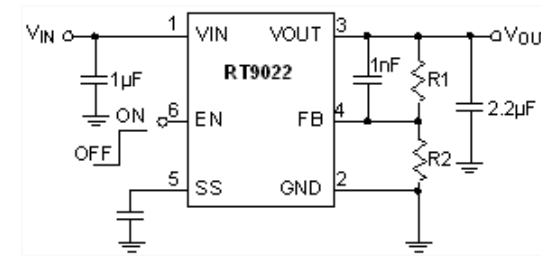
RT9022

High Voltage, Low Quiescent, 60mA LDO Regulator

Key Spec

	RT9022
Status	Active
Vin (min) (V)	5
Vin (max) (V)	20
Vout (min) (V)	1.25
Vout (max) (V)	18
Output Adj. Method	Resistor
Accuracy (+/- %)	1
Iout (max) (mA)	60
Iq (typ) (uA)	40
Vdropout @ rated current (typ) (mV)	200 @ 0.03A

Simplified Circuit



Application

- DSC
- Camcorder





More Info



WWW

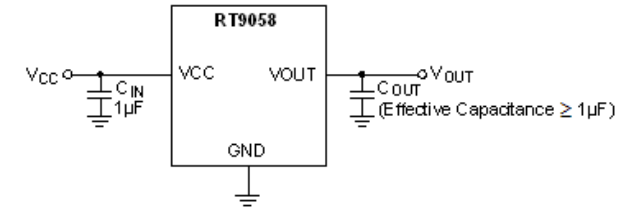
RT9058

36V, 2 μ A I_Q , 100mA Low Dropout Voltage Linear Regulator

Key Spec

	RT9058
Status	Active
Vin (min) (V)	3.5
Vin (max) (V)	36
Vout (min) (V)	2.5
Vout (max) (V)	12
Output Adj. Method	Fixed
Accuracy (+/- %)	2
Iout (max) (mA)	100
Iq (typ) (μ A)	2;3.5
Vdropout @ rated current (typ) (mV)	300 @ 0.01A

Simplified Circuit



Application

- Portable, Battery Powered Equipment
- Ultra Low Power Microcontrollers
- Notebook Computers





More Info



WWW

RT9074

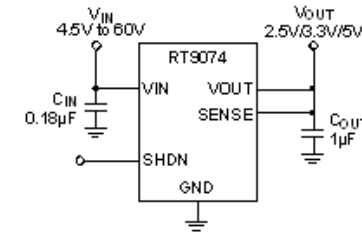
60V, 30 μ A I_Q , Low Dropout Voltage Linear Regulator

Key Spec

	RT9074
Status	Active
Vin (min) (V)	4.5
Vin (max) (V)	60
Vout (min) (V)	1.23
Vout (max) (V)	60
Output Adj. Method	Fixed;Resistor
Accuracy (+/- %)	3
Iout (max) (mA)	100
Iq (typ) (uA)	30
Vdropout @ rated current (typ) (mV)	15 @ 0.001A;240 @ 0.1A;55 @ 0.01A

Richtek Technology Corporation

Simplified Circuit



Application

- Low Current, High Voltage Regulators
- Battery Powered Applications
- Telecom and Datacom Applications
- Automotive Application

Evaluation Board



BACK



More Info



WWW

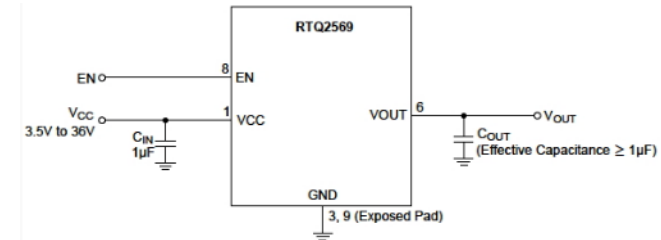
RTQ2569-QA

36V, 2 μ A I_Q, Peak 200mA, Low Dropout Voltage Linear Regulator

Key Spec

	RTQ2569-QA
Status	Active
V _{in} (min) (V)	3.5
V _{in} (max) (V)	36
V _{out} (min) (V)	2.5
V _{out} (max) (V)	12
Output Adj. Method	Fixed
Accuracy (+/- %)	2
I _{out} (max) (mA)	200
I _q (typ) (uA)	2
V _{dropout} @ rated current (typ) (mV)	200 @ 0.01A

Simplified Circuit



Application

- Automotive
- Always On Power
- Portable, Battery Powered Equipment
- Extra Low Voltage Microcontrollers
- Notebook Computers
- E-Meters
- Handset Peripherals





More Info



WWW

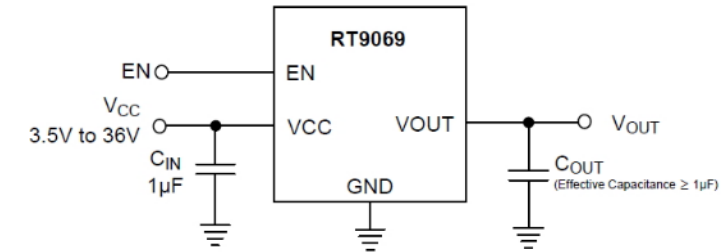
RT9069

36V, 2μA I_Q, Peak 200mA Low Dropout Voltage Linear Regulator

Key Spec

	RT9069
Status	Active
V _{in} (min) (V)	3.5
V _{in} (max) (V)	36
V _{out} (min) (V)	2.5
V _{out} (max) (V)	12
Output Adj. Method	Fixed
Accuracy (+/- %)	2
I _{out} (max) (mA)	200
I _q (typ) (uA)	2;3.5
V _{dropout} @ rated current (typ) (mV)	200 @ 0.01A

Simplified Circuit



Application

- Portable, Battery Powered Equipment
- Extra Low Voltage Microcontrollers
- Notebook Computers

Evaluation Board



Richtek Technology Corporation



BACK



More Info



WWW

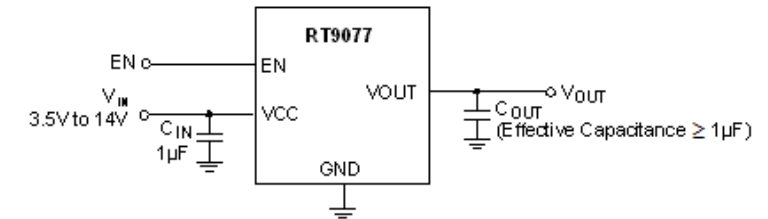
RT9077

Low Power, 14V, 200mA LDO Regulator

Key Spec

	RT9077
Status	Active
V _{in} (min) (V)	3.5
V _{in} (max) (V)	14
V _{out} (min) (V)	2.5
V _{out} (max) (V)	9
Output Adj. Method	Fixed
Accuracy (+/- %)	2
I _{out} (max) (mA)	200
I _q (typ) (uA)	70
V _{dropout} @ rated current (typ) (mV)	400 @ 0.1A

Simplified Circuit



Application

- Portable, Battery Powered Equipment
- Ultra Low Voltage Microcontrollers
- Notebook Computers





More Info



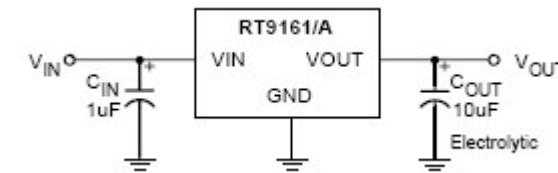
WWW

RT9161/RT9161A 300/500mA Low Dropout Linear Voltage Regulator

Key Spec

	RT9161	RT9161A
Status	Active	Active
Vin (min) (V)	4.5	4.5
Vin (max) (V)	12	12
Vout (min) (V)	1.5	1.5
Vout (max) (V)	5	5
Output Adj. Method	Fixed	Fixed
Accuracy (+/- %)	2	2
Iout (max) (mA)	300	500
Iq (typ) (uA)	110	110
Vdropout @ rated current (typ) (mV)	450 @ 0.3A;750 @ 0.5A	450 @ 0.3A;750 @ 0.5A

Simplified Circuit



Application

- Voltage Regulator for LAN Card, CD-ROM, and DVD
- Wireless Communication Systems
- Battery Powered Systems





More Info



WWW

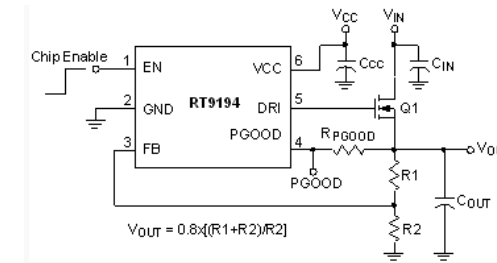
RT9194

Low-Dropout Linear Regulator Controller with PGOOD Indication

Key Spec

	RT9194
Status	Active
V _{in} (min) (V)	4.5
V _{in} (max) (V)	13.5
V _{out} (min) (V)	0.8
V _{out} (max) (V)	12
Output Adj. Method	Resistor
Accuracy (+/- %)	2
I _{out} (max) (mA)	1000
I _q (typ) (uA)	450
C _{out} Type	Electrolytic

Simplified Circuit



Application

- Special Designed for Intel® Grantsdale platform FSB_VTT power regulation
- Processor Power-Up Sequencing
- Notebook and laptop PC
- Other Power regulation with Power Good indication



Buck Converter $V_{in} < 7V$

<1A

RT5707/A
600mA/400mA
 $I_q=360nA$

RT8024
400mA w/
100% duty

RT8099
600mA w/
100% duty

RT8008/9
600mA w/
100% duty

RT8035
Dual, 800mA
w/ 100% duty

1A (CM)

RT8010/A
100% duty

RT8016
100% duty

RT8020
Dual, 100%
duty

RT8057
100% duty

RT8059
100% duty

1A (CMCOT)

RT5710A/B

RT5710F

RT8096
A/B/C

1A (ACOT)

RT5750A/B
100% duty

RT5751A/B
100% duty

RT5760
A/B/C/D
100% duty

RT5761A/B
100% duty





More Info



WWW

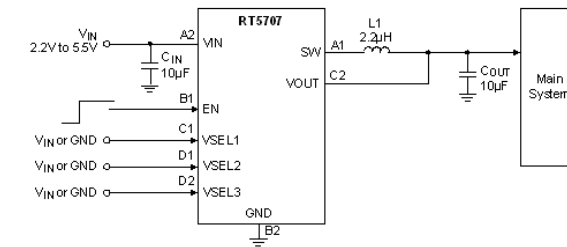
RT5707/RT5707A

Ultra-Low Quiescent Current HCOT Buck Converter

Key Spec

	RT5707	RT5707A
Status	Active	Active
V _{in} (min) (V)	2.2	2.2
V _{in} (max) (V)	5.5	5.5
Number of Outputs	1	1
V _{out} (min) (V)	1.2	0.7
V _{out} (max) (V)	3.3	3.1
Output Adj. Method	Digital	Digital
I _{out} (max) (A)	1	0.5
Current Limit (typ) (A)	1.2	0.78
Freq (typ) (kHz)	1200	1200

Simplified Circuit



Application

- Hand-Held Devices
- Portable Information
- Battery Powered Equipment
- Wearable Devices
- Internet of Things
- Smart Watch





More Info



WWW

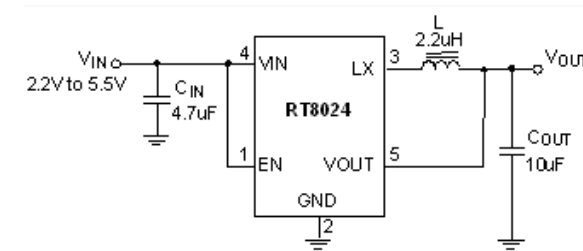
RT8024

1.5MHz, 400mA, High Efficiency PWM Step-Down DC/DC Converter

Key Spec

	RT8024
Status	Active
Vin (min) (V)	2.5
Vin (max) (V)	5.5
Number of Outputs	1
Vout (min) (V)	0.6
Vout (max) (V)	5.5
Output Adj. Method	Fixed;Resistor
Iout (max) (A)	0.4
Current Limit (typ) (A)	1.5
Freq (typ) (kHz)	1500

Simplified Circuit



Application

- Cellular Telephones
- Personal Information Appliances
- Wireless and DSL Modems
- MP3 Players
- Portable Instruments





More Info



WWW

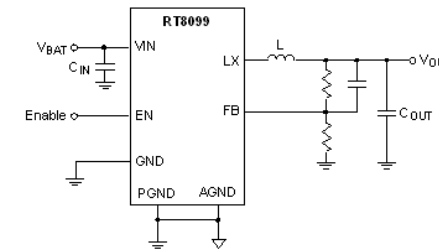
RT8099

1.5MHz, 600mA, High Efficiency PWM Step-Down Converter

Key Spec

	RT8099
Status	Active
Vin (min) (V)	2.7
Vin (max) (V)	5.5
Number of Outputs	1
Vout (min) (V)	0.7
Vout (max) (V)	5
Output Adj. Method	Resistor
Iout (max) (A)	0.6
Current Limit (typ) (A)	1.5
Freq (typ) (kHz)	1500

Simplified Circuit



Application

- Cellular Telephones
- Personal Information Appliances
- Wireless and DSL Modems
- MP3 Players
- Portable Instruments





More Info



WWW

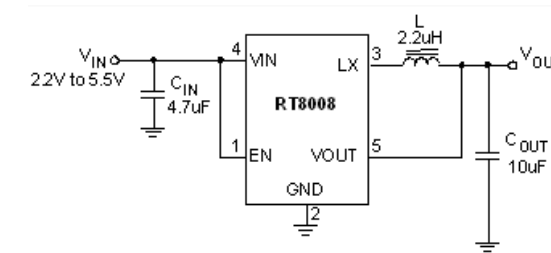
RT8008

1.5MHz, 600mA, High Efficiency PWM Step-Down DC/DC Converter

Key Spec

	RT8008
Status	Active
V _{in} (min) (V)	2.5
V _{in} (max) (V)	5.5
Number of Outputs	1
V _{out} (min) (V)	0.6
V _{out} (max) (V)	5.5
Output Adj. Method	Fixed;Resistor
I _{out} (max) (A)	0.6
Current Limit (typ) (A)	1.5
Freq (typ) (kHz)	1500

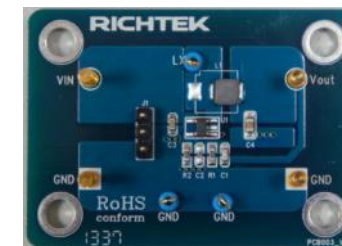
Simplified Circuit



Application

- Cellular Telephones
- Personal Information Appliances
- Wireless and DSL Modems
- MP3 Players
- Portable Instruments

Evaluation Board



Richtek Technology Corporation



BACK



More Info



WWW

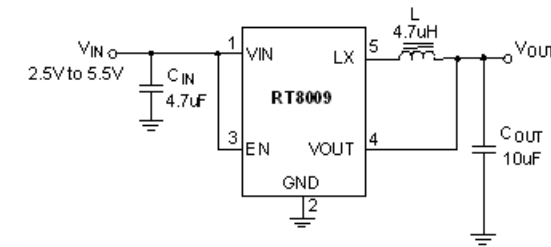
RT8009

1.25MHz, 600mA, High Efficiency PWM Step-Down DC/DC Converter

Key Spec

	RT8009
Status	Active
Vin (min) (V)	2.5
Vin (max) (V)	5.5
Number of Outputs	1
Vout (min) (V)	0.5
Vout (max) (V)	5.5
Output Adj. Method	Fixed;Resistor
Iout (max) (A)	0.6
Current Limit (typ) (A)	1.5
Freq (typ) (kHz)	1250

Simplified Circuit



Application

- Cellular Telephones
- Personal Information Appliances
- Wireless and DSL Modems
- MP3 Players
- Portable Instruments





More Info



WWW

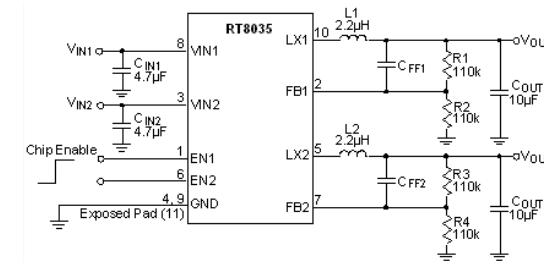
RT8035

Dual 800mA, 1.25MHz Synchronous Step-Down Converter

Key Spec

	RT8035
Status	Active
Vin (min) (V)	2.5
Vin (max) (V)	5.5
Number of Outputs	2
Vout (min) (V)	0.6
Vout (max) (V)	5.5
Output Adj. Method	Resistor
Iout (max) (A)	0.8
Current Limit (typ) (A)	1.5
Freq (typ) (kHz)	1250

Simplified Circuit



Application

- Portable Instruments
- Microprocessors and DSP Core Supplies
- Cellular Phones
- Wireless and DSL Modems
- PC Cards





More Info



WWW

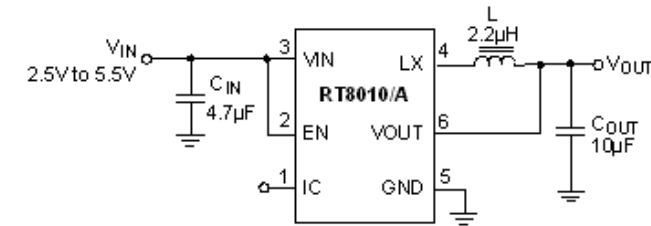
RT8010/RT8010A

1.5MHz, 1A, High Efficiency PWM Step-Down DC-DC Converter

Key Spec

	RT8010	RT8010A
Status	Active	Active
Vin (min) (V)	2.5	2.5
Vin (max) (V)	5.5	5.5
Number of Outputs	1	1
Vout (min) (V)	0.6	0.6
Vout (max) (V)	5.5	5.5
Output Adj. Method	Fixed;Resistor	Resistor
Iout (max) (A)	1	1
Current Limit (typ) (A)	2.1	2.1
Freq (typ) (kHz)	1500	1500

Simplified Circuit



Application

- Mobile Phones
- Personal Information Appliances
- Wireless and DSL Modems
- MP3 Players
- Portable Instruments





More Info



WWW

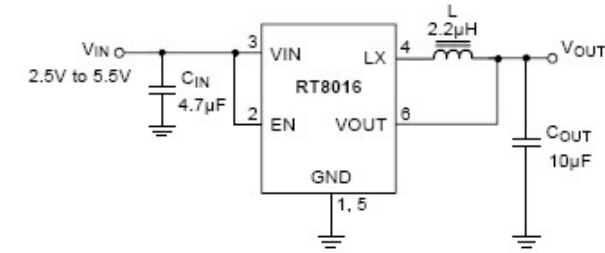
RT8016

1.5MHz, 1A, High Efficiency PWM Step-Down DC/DC Converter

Key Spec

	RT8016
Status	Active
Vin (min) (V)	2.5
Vin (max) (V)	5.5
Number of Outputs	1
Vout (min) (V)	0.6
Vout (max) (V)	5.5
Output Adj. Method	Fixed;Resistor
Iout (max) (A)	1
Current Limit (typ) (A)	2
Freq (typ) (kHz)	1500

Simplified Circuit



Application

- Mobile Phones
- Personal Information Appliances
- Wireless and DSL Modems
- MP3 Players
- Portable Instruments





More Info



WWW

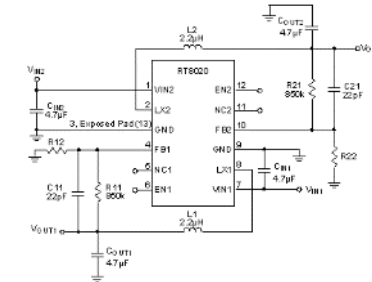
RT8020

Dual High-Efficiency PWM Step-Down DC/DC Converter

Key Spec

	RT8020	RT8020A	RT8020B	RT8020C	RT8020D
Status	Active	Active	Active	Active	Active
Vin (min) (V)	2.5	2.5	2.5	2.5	2.5
Vin (max) (V)	5.5	5.5	5.5	5.5	5.5
Number of Outputs	2	2	2	2	2
Vout (min) (V)	0.6	0.6	0.6	0.6	0.6
Vout (max) (V)	5.5	5.5	5.5	5.5	5.5
Output Adj. Method	Resistor	Fixed	Fixed	Fixed	Fixed
Iout (max) (A)	1	1	1	1	1
Current Limit (typ) (A)	1.5	1.5	1.5	1.5	1.5
Freq (typ) (kHz)	1500	1500	1500	1500	1500

Simplified Circuit



Application

- Mobile Phones
- Personal Information Appliances
- Wireless and DSL Modems
- MP3 Players
- Portable Instruments





More Info



WWW

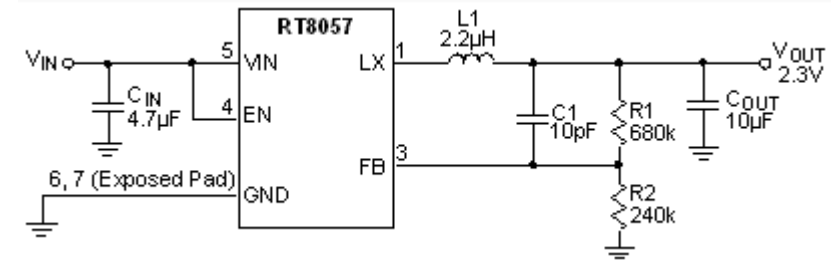
RT8057

2.25MHz 1A Synchronous Step-Down Converter

Key Spec

	RT8057
Status	Active
Vin (min) (V)	2.7
Vin (max) (V)	5.5
Number of Outputs	1
Vout (min) (V)	0.6
Output Adj. Method	Resistor
Iout (max) (A)	1
Current Limit (typ) (A)	1.5
Freq (typ) (kHz)	2250
Ext Sync	No

Simplified Circuit



Application

- Portable Instruments
- Game Console and Accessories
- Microprocessors and DSP Core Supplies
- Cellular Phones
- Wireless and DSL Modems
- PC Cards





More Info



WWW

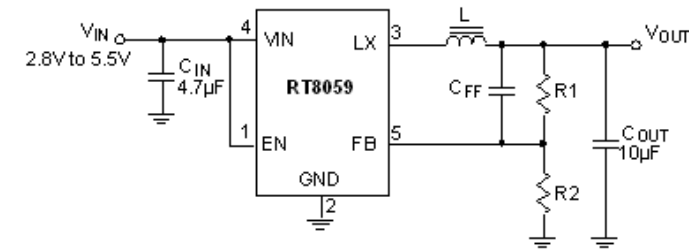
RT8059

1.5MHz, 1A, High Efficiency PWM Step-Down DC/DC Converter

Key Spec

	RT8059
Status	Active
Vin (min) (V)	2.8
Vin (max) (V)	5.5
Number of Outputs	1
Vout (min) (V)	0.6
Vout (max) (V)	5.5
Output Adj. Method	Resistor
Iout (max) (A)	1
Current Limit (typ) (A)	1.5
Freq (typ) (kHz)	1500

Simplified Circuit



Application

- NIC Card
- Cellular Telephones
- Personal Information Appliances
- Wireless and DSL Modems
- MP3 Players
- Portable Instruments





More Info



WWW

RT5710A

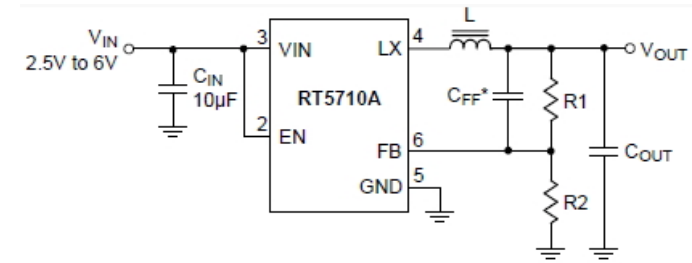
1A, 1.5MHz, 6V CMCOT Synchronous Step-Down Converter

Key Spec

	RT5710A
Status	Active
Vin (min) (V)	2.5
Vin (max) (V)	6
Number of Outputs	1
Vout (min) (V)	0.6
Vout (max) (V)	3.4
Output Adj. Method	Resistor
Iout (max) (A)	1
Current Limit (typ) (A)	1.5
Freq (typ) (kHz)	1500

Richtek Technology Corporation

Simplified Circuit



Application

- STB, Cable Modem, & xDSL Platforms
- LCD TV Power Supply & Metering Platforms
- General Purpose Point of Load (POL)

Evaluation Board



BACK



More Info



WWW

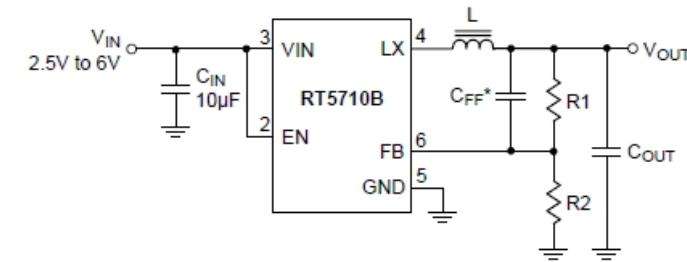
RT5710B

6V, 1A, 1.5MHz, CMCOT Synchronous Step-Down Converter

Key Spec

	RT5710B
Status	Active
Vin (min) (V)	2.5
Vin (max) (V)	6
Number of Outputs	1
Vout (min) (V)	0.6
Vout (max) (V)	3.4
Output Adj. Method	Resistor
Iout (max) (A)	1
Current Limit (typ) (A)	1.5
Freq (typ) (kHz)	1500

Simplified Circuit



Application

- STB, Cable Modem, & xDSL Platforms
- LCD TV Power Supply & Metering Platforms
- General Purpose Point of Load (POL)





More Info



WWW

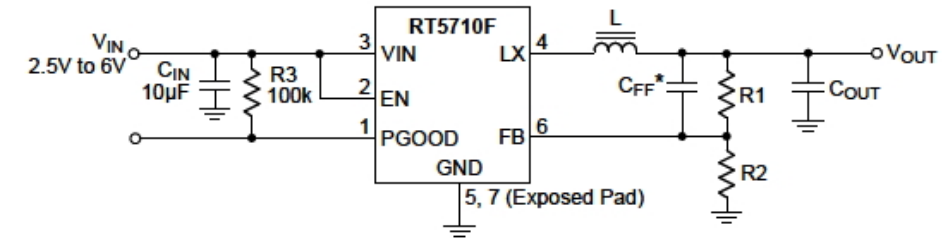
RT5710F

1A, 1MHz, 6V CMCOT Synchronous Step-Down Converter

Key Spec

	RT5710F
Status	Active
V _{in} (min) (V)	2.5
V _{in} (max) (V)	6
Number of Outputs	1
V _{out} (min) (V)	0.6
V _{out} (max) (V)	3.8
Output Adj. Method	Resistor
I _{out} (max) (A)	1
Current Limit (typ) (A)	1.5
Freq (typ) (kHz)	1000

Simplified Circuit



Application

- STB, Cable Modem, & xDSL Platforms
- LCD TV Power Supply & Metering Platforms
- General Purpose Point of Load (POL)





More Info



WWW

RT8096A

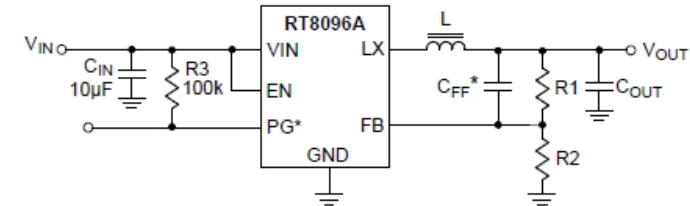
1A, 1.5MHz, 6V CMCOT Synchronous Step-Down Converter

Key Spec

	RT8096A
Status	Active
Vin (min) (V)	2.5
Vin (max) (V)	6
Number of Outputs	1
Vout (min) (V)	0.6
Vout (max) (V)	3.4
Output Adj. Method	Resistor
Iout (max) (A)	1
Current Limit (typ) (A)	1.5
Freq (typ) (kHz)	1500

Richtek Technology Corporation

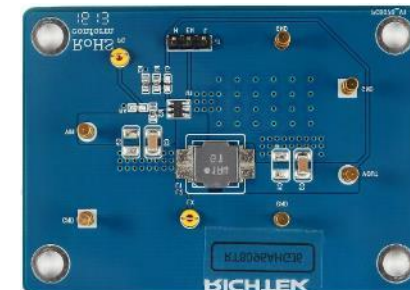
Simplified Circuit



Application

- STB, Cable Modem, & xDSL Platforms
- LCD TV Power Supply & Metering Platforms
- General Purpose Point of Load (POL)

Evaluation Board



BACK



More Info



WWW

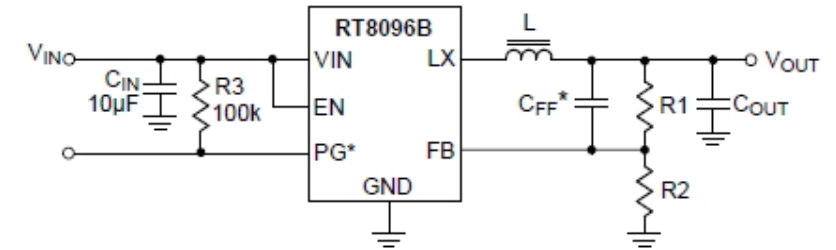
RT8096B

1A, 1.5MHz, 6V CMCOT Synchronous Step-Down Converter

Key Spec

	RT8096B
Status	Active
Vin (min) (V)	2.5
Vin (max) (V)	6
Number of Outputs	1
Vout (min) (V)	0.6
Vout (max) (V)	3.4
Output Adj. Method	Resistor
Iout (max) (A)	1
Current Limit (typ) (A)	1.5
Freq (typ) (kHz)	1500

Simplified Circuit



Application

- STB, Cable Modem, & xDSL Platforms
- LCD TV Power Supply & Metering Platforms
- General Purpose Point of Load (POL)





More Info



WWW

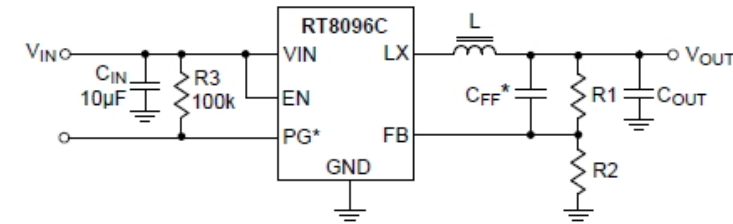
RT8096C

1A, 1.5MHz, 6V CMCOT Synchronous Step-Down Converter

Key Spec

	RT8096C
Status	Active
V _{in} (min) (V)	2.5
V _{in} (max) (V)	6
Number of Outputs	1
V _{out} (min) (V)	0.6
V _{out} (max) (V)	3.4
Output Adj. Method	Resistor
I _{out} (max) (A)	1
Current Limit (typ) (A)	1.5
Freq (typ) (kHz)	1500

Simplified Circuit



Application

- STB, Cable Modem, & xDSL Platforms
- LCD TV Power Supply & Metering Platforms
- General Purpose Point of Load (POL)





More Info



WWW

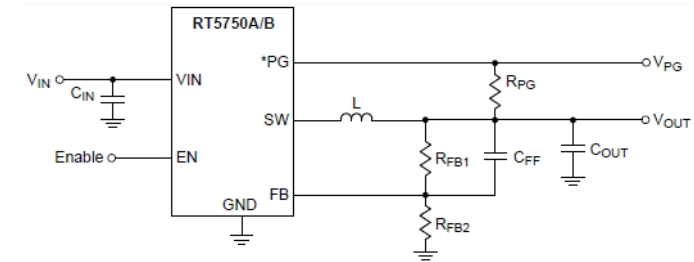
RT5750A/RT5750B

6V 1A, ACOT[®] Buck Converter

Key Spec

	RT5750A	RT5750B
Status	Active	Active
Vin (min) (V)	2.5	2.5
Vin (max) (V)	6	6
Number of Outputs	1	1
Vout (min) (V)	0.6	0.6
Vout (max) (V)	6	6
Output Adj. Method	Resistor	Resistor
Iout (max) (A)	1	1
Current Limit (typ) (A)	2.65	2.65
Freq (typ) (kHz)	1500	1500

Simplified Circuit



Application

- Mobile Phones and Handheld Devices
- STB, Cable Modem, and xDSL Platforms
- WLAN ASIC Power / Storage (SSD and HDD)
- General Purpose for POL LV Buck Converter





More Info



WWW

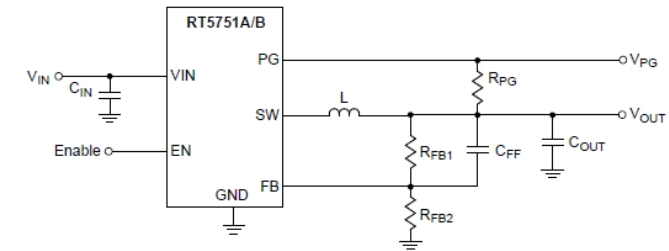
RT5751A/RT5751B

6V 1A, ACOT[®] Buck Converter

Key Spec

	RT5751A	RT5751B
Status	Active	Active
Vin (min) (V)	2.5	2.5
Vin (max) (V)	6	6
Number of Outputs	1	1
Vout (min) (V)	0.6	0.6
Vout (max) (V)	6	6
Output Adj. Method	Resistor	Resistor
Iout (max) (A)	1	1
Current Limit (typ) (A)	2.65	2.65
Freq (typ) (kHz)	1500	1500

Simplified Circuit



Application

- Mobile Phones and Handheld Devices
- STB, Cable Modem, and xDSL Platforms
- WLAN ASIC Power / Storage (SSD and HDD)
- General Purpose for POL LV Buck Converter





More Info



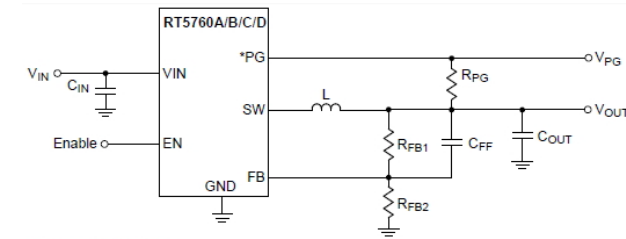
WWW

RT5760A/RT5760B/RT5760C/RT5760D 6V 1A, ACOT[®] Buck Converter in Thin SOT-563 Package

Key Spec

	RT5760A	RT5760B	RT5760C	RT5760D
Status	Active	Active	Active	Active
Vin (min) (V)	2.5	2.5	2.5	2.5
Vin (max) (V)	6	6	6	6
Number of Outputs	1	1	1	1
Vout (min) (V)	0.6	0.6	0.6	0.6
Vout (max) (V)	6	6	6	6
Output Adj. Method	Resistor	Resistor	Resistor	Resistor
Iout (max) (A)	1	1	1	1
Current Limit (typ) (A)	2.65	2.65	2.65	2.65
Freq (typ) (kHz)	2200	2200	2200	2200

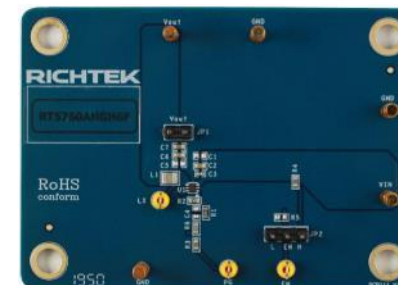
Simplified Circuit



Application

- Mobile Phones and Handheld Devices
- STB, Cable Modem, and xDSL Platforms
- WLAN ASIC Power / Storage (SSD and HDD)
- General Purpose for POL LV Buck Converter

Evaluation Board



Richtek Technology Corporation



BACK



More Info



WWW

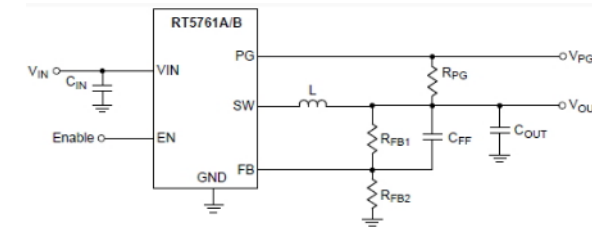
RT5761A/RT5761B

6V 1A, ACOT[®] Buck Converter in Thin UDFN-6L 1.4x1 Package

Key Spec

	RT5761A	RT5761B
Status	Active	Active
V _{in} (min) (V)	2.5	2.5
V _{in} (max) (V)	6	6
Number of Outputs	1	1
V _{out} (min) (V)	0.6	0.6
V _{out} (max) (V)	6	6
Output Adj. Method	Resistor	Resistor
I _{out} (max) (A)	1	1
Current Limit (typ) (A)	2.65	2.65
Freq (typ) (kHz)	2200	2200

Simplified Circuit



Application

- Mobile Phones and Handheld Devices
- STB, Cable Modem, and xDSL Platforms
- WLAN ASIC Power / Storage (SSD and HDD)
- General Purpose for POL LV Buck Converter



Buck Converter $V_{in} < 7V$

1.5A

RT8012A
Dual, 100%
duty

RT5796A/C
CMCOT

RTQ2102
A/B-QA
Low Iq w/ 100%
duty, ACOT

2A (CM)

RT8077
100% duty

RT8058/A
100% duty

RT8015
100% duty

RT8011/A
100% duty

RT8064
100% duty

2A (CMCOT)

RT8097
A/B/C

RT8098D
2.5A

2A (ACOT)

RT5752A/B
100% duty

RT5762
A/B/C/D/E/F
100% duty

RT5795A
100% duty

RT5784A/B
100% duty

RT5785A/B
100% duty



More Info



WWW

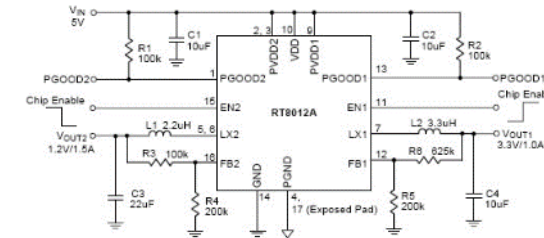
RT8012A

Dual 1A/1.5A-1.2MHz Synchronous Step-Down Converters

Key Spec

	RT8012A
Status	Active
Vin (min) (V)	2.6
Vin (max) (V)	5.5
Number of Outputs	2
Vout (min) (V)	0.8
Vout (max) (V)	5
Output Adj. Method	Resistor
Iout (max) (A)	1;1.5
Current Limit (typ) (A)	1.6;2.2
Freq (typ) (kHz)	1200

Simplified Circuit



Application

- Portable Instruments
- Microprocessors and DSP Core Supplies
- Cellular Phones
- Wireless and DSL Modems
- PC Cards
- Digital Cameras





More Info



WWW

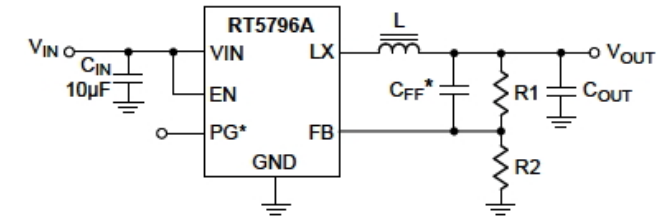
RT5796A

1.5A, 1MHz, 6V CMCOT Synchronous Step-Down Converter

Key Spec

	RT5796A
Status	Active
V _{in} (min) (V)	2.5
V _{in} (max) (V)	6
Number of Outputs	1
V _{out} (min) (V)	0.6
V _{out} (max) (V)	3.4
Output Adj. Method	Resistor
I _{out} (max) (A)	1.5
Current Limit (typ) (A)	1.8
Freq (typ) (kHz)	1000

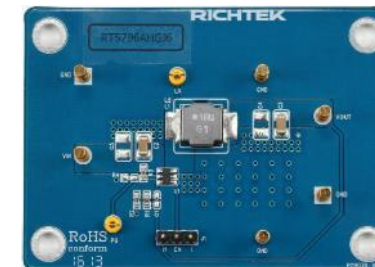
Simplified Circuit



Application

- STB, Cable Modem, & xDSL Platforms
- LCD TV Power Supply & Metering Platforms
- General Purpose Point of Load (POL)

Evaluation Board





More Info



WWW

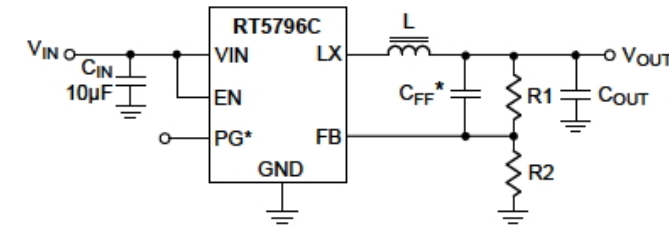
RT5796C

1.5A, 1MHz, 6V CMCOT Synchronous Step-Down Converter

Key Spec

	RT5796C
Status	Active
Vin (min) (V)	2.5
Vin (max) (V)	6
Number of Outputs	1
Vout (min) (V)	0.6
Vout (max) (V)	3.4
Output Adj. Method	Resistor
Iout (max) (A)	1.5
Current Limit (typ) (A)	1.8
Freq (typ) (kHz)	1000

Simplified Circuit



Application

- STB, Cable Modem, & xDSL Platforms
- LCD TV Power Supply & Metering Platforms
- General Purpose Point of Load (POL)





More Info



WWW

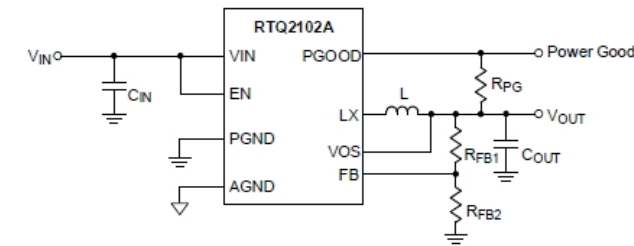
RTQ2102A-QA/RTQ2102B-QA

1.5A, 6V, Low I_Q ACOT[®] Synchronous Step-Down Converter

Key Spec

	RTQ2102A-QA	RTQ2102B-QA
Status	Active	Preview
V _{in} (min) (V)	3	3
V _{in} (max) (V)	6	6
Number of Outputs	1	1
V _{out} (min) (V)	0.45	0.45
V _{out} (max) (V)	3.3	3.3
Output Adj. Method	Resistor	Resistor
I _{out} (max) (A)	1.5	1.5
Current Limit (typ) (A)	3.2	3.2
Freq (typ) (kHz)	2700	2700

Simplified Circuit



Application

- Mobile Phones and Handheld Devices
- STB, Cable Modem, and xDSL Platforms
- WLAN ASIC Power/Storage (SSD and HDD)
- General Purpose for POL LV Buck Converter
- Automotive Infotainment
- Automotive Instrument Clusters & HUD
- Car Connectivity





More Info



WWW

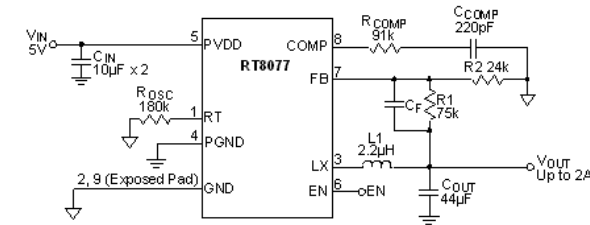
RT8077

2A, 2MHz, Synchronous Step-Down Converter

Key Spec

	RT8077
Status	Active
Vin (min) (V)	2.6
Vin (max) (V)	5.5
Number of Outputs	1
Vout (min) (V)	0.8
Vout (max) (V)	5
Output Adj. Method	Resistor
Iout (max) (A)	2
Current Limit (typ) (A)	3
Freq (typ) (kHz)	1800

Simplified Circuit



Application

- Portable Instruments
- Battery-Powered Equipment
- Notebook Computers
- Distributed Power Systems
- IP Phones
- Digital Cameras
- Dynamic Supply Bias for GSM/EDGE PAs and 3G/4G PAs





More Info



WWW

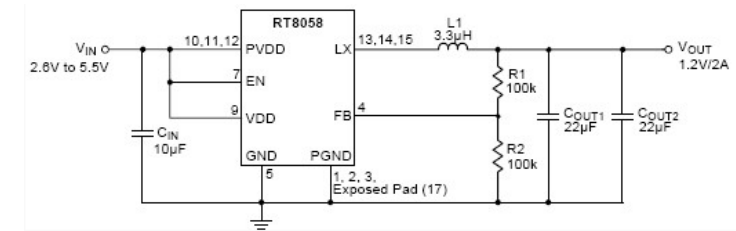
RT8058

1MHz, 2A, High Efficiency PWM Step-Down DC/DC Converter

Key Spec

	RT8058
Status	Active
Vin (min) (V)	2.6
Vin (max) (V)	5.5
Number of Outputs	1
Vout (min) (V)	0.6
Vout (max) (V)	5
Output Adj. Method	Resistor
Iout (max) (A)	2
Current Limit (typ) (A)	3
Freq (typ) (kHz)	1000

Simplified Circuit



Application

- Portable Instruments
- Microprocessors and DSP Core supplies
- Cellular Telephones
- Wireless and DSL Modems
- Digital Cameras
- PC Cards





More Info



WWW

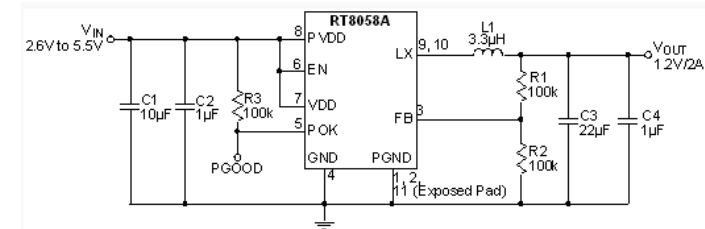
RT8058A

1.2MHz, 2A, High Efficiency PWM Step-Down DC/DC Converter

Key Spec

	RT8058A
Status	Active
Vin (min) (V)	2.6
Vin (max) (V)	5.5
Number of Outputs	1
Vout (min) (V)	0.6
Vout (max) (V)	5
Output Adj. Method	Resistor
Iout (max) (A)	2
Current Limit (typ) (A)	3
Freq (typ) (kHz)	1200

Simplified Circuit



Application

- Portable Instruments
- Microprocessors and DSP Core supplies
- Cellular Telephones
- Wireless and DSL Modems
- Digital Cameras
- PC Cards





More Info



WWW

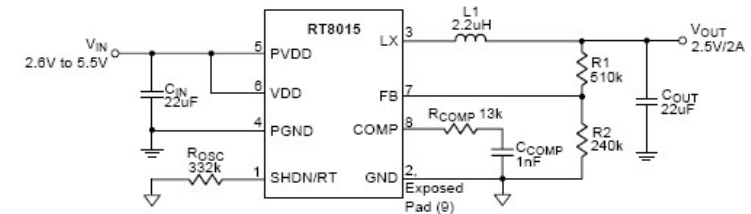
RT8015

2A, 2MHz, Synchronous Step-Down Regulator

Key Spec

	RT8015
Status	Active
Vin (min) (V)	2.6
Vin (max) (V)	5.5
Number of Outputs	1
Vout (min) (V)	0.8
Vout (max) (V)	5
Output Adj. Method	Resistor
Iout (max) (A)	2
Current Limit (typ) (A)	3.8
Freq (typ) (kHz)	1000

Simplified Circuit



Application

- Portable Instruments
- Battery-Powered Equipment
- Notebook Computers
- Distributed Power Systems
- IP Phones
- Digital Cameras





More Info



WWW

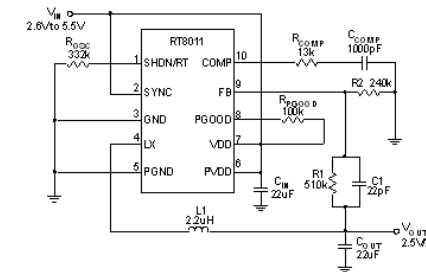
RT8011/RT8011A

2A, 4MHz, Synchronous Step-Down Regulator

Key Spec

	RT8011	RT8011A
Status	Active	Active
Vin (min) (V)	2.6	2.6
Vin (max) (V)	5.5	5.5
Number of Outputs	1	1
Vout (min) (V)	0.8	0.8
Vout (max) (V)	5	5
Output Adj. Method	Resistor	Resistor
Iout (max) (A)	2	2
Current Limit (typ) (A)	3.2	3.2
Freq (typ) (kHz)	1000	1000

Simplified Circuit



Application

- Portable Instruments
- Battery-Powered Equipment
- Notebook Computers
- Distributed Power Systems
- IP Phones
- Digital Cameras





More Info



WWW

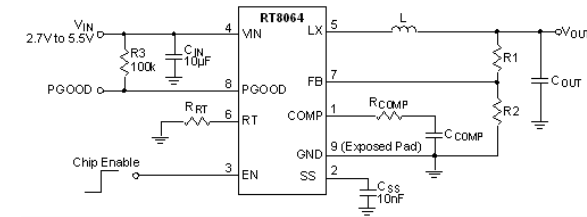
RT8064

2A, 2MHz, Synchronous Step-Down Converter

Key Spec

	RT8064
Status	Active
Vin (min) (V)	2.7
Vin (max) (V)	5.5
Number of Outputs	1
Vout (min) (V)	0.8
Vout (max) (V)	5
Output Adj. Method	Resistor
Iout (max) (A)	2
Current Limit (typ) (A)	3.5
Freq (typ) (kHz)	1000

Simplified Circuit



Application

- LCD TVs and Monitors
- Notebook Computers
- Distributed Power Systems
- IP Phones
- Digital Cameras





More Info



WWW

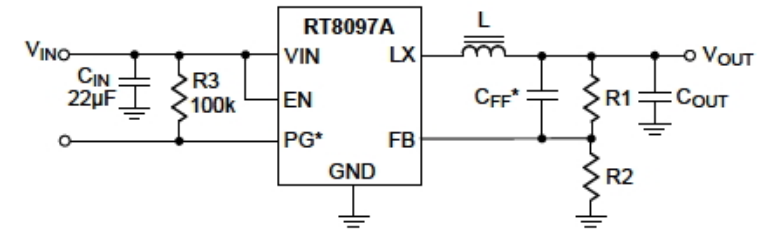
RT8097A

6V, 2A, 1MHz, CMCOT Synchronous Step-Down Converter

Key Spec

	RT8097A
Status	Active
Vin (min) (V)	2.7
Vin (max) (V)	6
Number of Outputs	1
Vout (min) (V)	0.6
Vout (max) (V)	3.4
Output Adj. Method	Resistor
Iout (max) (A)	2
Current Limit (typ) (A)	3.1
Freq (typ) (kHz)	1000

Simplified Circuit



Application

- STB, Cable Modem, & xDSL Platforms
- LCD TV Power Supply & Metering Platforms
- General Purpose Point of Load (POL)





More Info



WWW

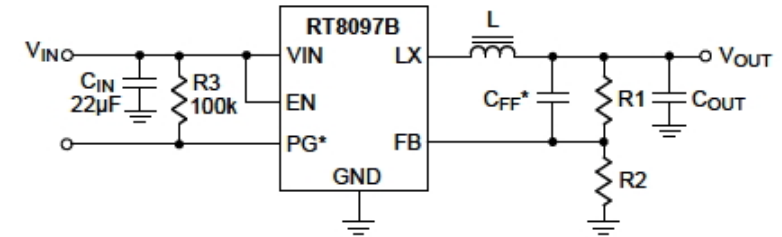
RT8097B

2A, 1MHz, 6V CMCOT Synchronous Step-Down Converter

Key Spec

	RT8097B
Status	Active
Vin (min) (V)	2.7
Vin (max) (V)	6
Number of Outputs	1
Vout (min) (V)	0.6
Vout (max) (V)	3.4
Output Adj. Method	Resistor
Iout (max) (A)	2
Current Limit (typ) (A)	3.1
Freq (typ) (kHz)	1000

Simplified Circuit



Application

- STB, Cable Modem, & xDSL Platforms
- LCD TV Power Supply & Metering Platforms
- General Purpose Point of Load (POL)





More Info



WWW

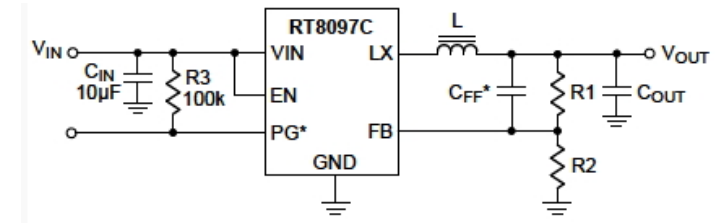
RT8097C

2A, 1MHz, 6V CMCOT Synchronous Step-Down Converter

Key Spec

	RT8097C
Status	Active
V _{in} (min) (V)	2.7
V _{in} (max) (V)	6
Number of Outputs	1
V _{out} (min) (V)	0.6
V _{out} (max) (V)	3.4
Output Adj. Method	Resistor
I _{out} (max) (A)	2
Current Limit (typ) (A)	3.1
Freq (typ) (kHz)	1000

Simplified Circuit



Application

- STB, Cable Modem, & xDSL Platforms
- LCD TV Power Supply & Metering Platforms
- General Purpose Point of Load (POL)





More Info



WWW

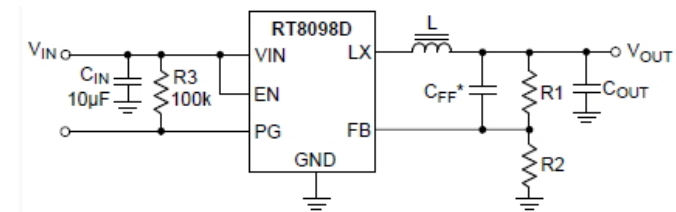
RT8098D

6V, 2.5A, 1MHz, CMCOT Synchronous Step-Down Converter

Key Spec

	RT8098D
Status	Active
V _{in} (min) (V)	2.7
V _{in} (max) (V)	6
Number of Outputs	1
V _{out} (min) (V)	0.6
V _{out} (max) (V)	3.4
Output Adj. Method	Resistor
I _{out} (max) (A)	2.5
Current Limit (typ) (A)	3.5
Freq (typ) (kHz)	1000

Simplified Circuit



Application

- STB, Cable Modem, & xDSL Platforms
- LCD TV Power Supply & Metering Platforms
- General Purpose Point of Load (POL)





More Info



WWW

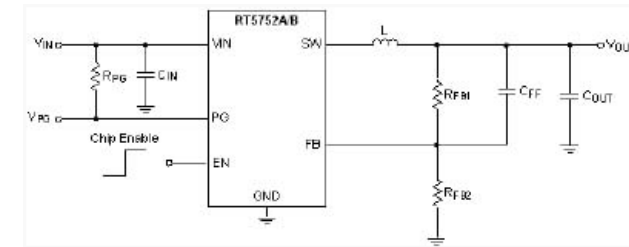
RT5752A/RT5752B

2A, 1.2MHz, 6V Synchronous Step-Down Converter in TSOT-23-5/TSOT-23-6 and WDFN-6L 2x2

Key Spec

	RT5752A	RT5752B
Status	Active	Active
Vin (min) (V)	2.5	2.5
Vin (max) (V)	5.5	5.5
Number of Outputs	1	1
Vout (min) (V)	0.6	0.6
Vout (max) (V)	5.5	5.5
Output Adj. Method	Resistor	Resistor
Iout (max) (A)	2	2
Current Limit (typ) (A)	2.3	2.3
Freq (typ) (kHz)	1200	1200

Simplified Circuit



Application

- Mobile Phones and Handheld Devices
- STB, Cable Modem, and xDSL Platforms
- WLAN ASIC Power / Storage (SSD and HDD)
- General Purpose for POL LV Buck Converters





More Info



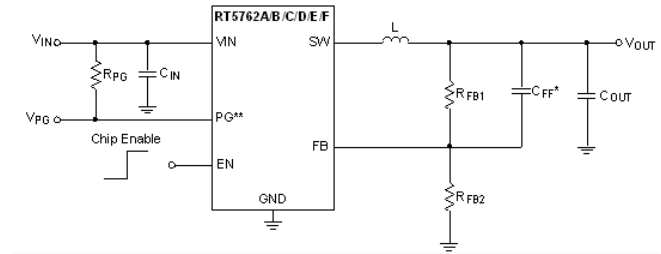
WWW

RT5762A/RT5762B/RT5762C/RT5762D/RT5762E/RT5762F 2A, 1.2MHz, 6V Synchronous Step-Down Converter in SOT-563 (FC) and UDFN-6L 1.4x1 (FC)

Key Spec

	RT5762A	RT5762B	RT5762C	RT5762D	RT5762E	RT5762F
Status	Active	Active	Active	Active	Active	Preview
V _{in} (min) (V)	2.5	2.5	2.5	2.5	2.5	2.5
V _{in} (max) (V)	5.5	5.5	5.5	5.5	5.5	5.5
Number of Outputs	1	1	1	1	1	1
V _{out} (min) (V)	0.6	0.6	0.6	0.6	0.6	0.6
V _{out} (max) (V)	5.5	5.5	5.5	5.5	5.5	5.5
Output Adj. Method	Resistor	Resistor	Resistor	Resistor	Resistor	Resistor
I _{out} (max) (A)	2	2	2	2	2	2
Current Limit (typ) (A)	2.3	2.3	2.3	2.3	2.3	2.3
Freq (typ) (kHz)	1200	1200	1200	1200	1200	1200

Simplified Circuit



Application

- Mobile Phones and Handheld Devices
- STB, Cable Modem, and xDSL Platforms
- WLAN ASIC Power / Storage (SSD and HDD)
- General Purpose for POL LV Buck Converters





More Info



WWW

RT5795A

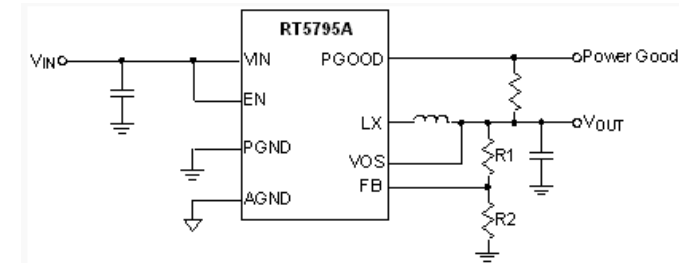
2A, 5.5V, Low I_Q ACOT Synchronous Step-Down Converter

Key Spec

	RT5795A
Status	Active
V _{in} (min) (V)	2.5
V _{in} (max) (V)	5.5
Number of Outputs	1
V _{out} (min) (V)	0.45
V _{out} (max) (V)	3.3
Output Adj. Method	Resistor
I _{out} (max) (A)	2
Current Limit (typ) (A)	3.2
Freq (typ) (kHz)	2700

Richtek Technology Corporation

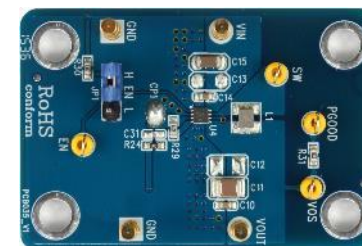
Simplified Circuit



Application

- Mobile Phones and Handheld Devices
- STB, Cable Modem, and xDSL Platforms
- WLAN ASIC Power / Storage (SSD and HDD)
- General Purpose for POL LV Buck Converter

Evaluation Board



BACK



More Info



WWW

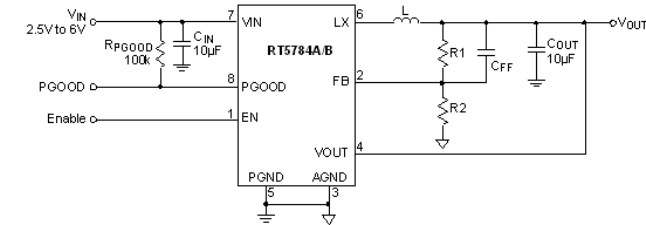
RT5784A/RT5784B

2A, 6V, 1.5MHz, 25 μ A I_Q, ACOT[®] Synchronous Step-Down Converter

Key Spec

	RT5784A	RT5784B
Status	Active	Active
Vin (min) (V)	2.5	2.5
Vin (max) (V)	6	6
Number of Outputs	1	1
Vout (min) (V)	0.6	0.6
Vout (max) (V)	6	6
Output Adj. Method	Resistor	Resistor
Iout (max) (A)	2	2
Current Limit (typ) (A)	2.5	2.5
Freq (typ) (kHz)	1500	1500

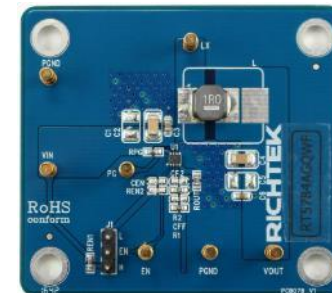
Simplified Circuit



Application

- Mobile Phones and Handheld Devices
- STB, Cable Modem, and xDSL Platforms
- WLAN ASIC Power / Storage (SSD and HDD)
- General Purpose for POL LV Buck Converter

Evaluation Board





More Info



WWW

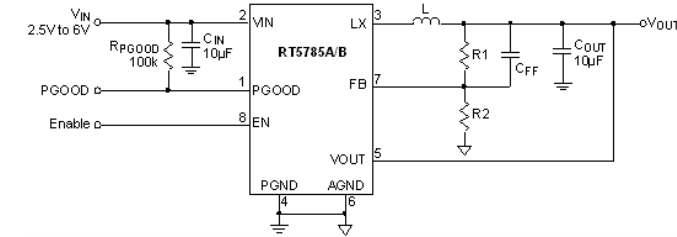
RT5785A/RT5785B

2A, 6V, 1.5MHz, 25 μ A I_Q, ACOT[®] Synchronous Step-Down Converter

Key Spec

	RT5785A	RT5785B
Status	Active	Active
V _{in} (min) (V)	2.5	2.5
V _{in} (max) (V)	6	6
Number of Outputs	1	1
V _{out} (min) (V)	0.6	0.6
V _{out} (max) (V)	6	6
Output Adj. Method	Resistor	Resistor
I _{out} (max) (A)	2	2
Current Limit (typ) (A)	2.5	2.5
Freq (typ) (kHz)	1500	1500

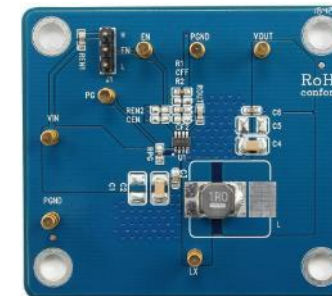
Simplified Circuit



Application

- Mobile Phones and Handheld Devices
- STB, Cable Modem, and xDSL Platforms
- WLAN ASIC Power / Storage (SSD and HDD)
- General Purpose for POL LV Buck Converter

Evaluation Board



Buck Converter $V_{in} < 7V$

3A (CM)

RT8015A/B
100% duty

RT8055/65/82
100% duty

RT8061A/68A
PSM, 100% duty

RT8079/A
PSM, 100% duty

RT2101A
F-PWM,
AEC-Q100

3A (CMCOT)

RT8088A
I2C control,
PSM/F-PWM

RT8086B
3.5A, PSM

RT5797A
PSM

RT5797B
F-PWM

4A/5A (CM)

RT8070
PSM, 100% duty

RT8074
PSM, 100% duty

RT8078A
PSM, 100% duty

3/4/5A (ACOT)

RT5753A
PSM, 100% duty

RT5753B
F-PWM, 100%
duty

RT5788A
PSM, 100% duty

RT5788B
F-PWM, 100%
duty

RTQ2134-QA
I2C control, AEC-
Q100



More Info



WWW

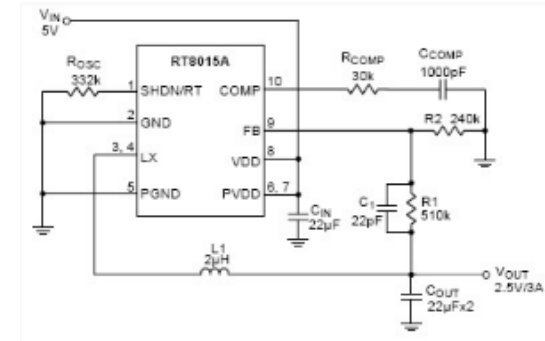
RT8015A

3A, 2MHz, Synchronous Step-Down Converter

Key Spec

	RT8015A
Status	Active
Vin (min) (V)	2.6
Vin (max) (V)	5.5
Number of Outputs	1
Vout (min) (V)	0.8
Vout (max) (V)	5
Output Adj. Method	Resistor
Iout (max) (A)	3
Current Limit (typ) (A)	3.8
Freq (typ) (kHz)	1000

Simplified Circuit



Application

- Portable Instruments
- Battery-Powered Equipment
- Notebook Computers
- Distributed Power Systems
- IP Phones
- Digital Cameras





More Info



WWW

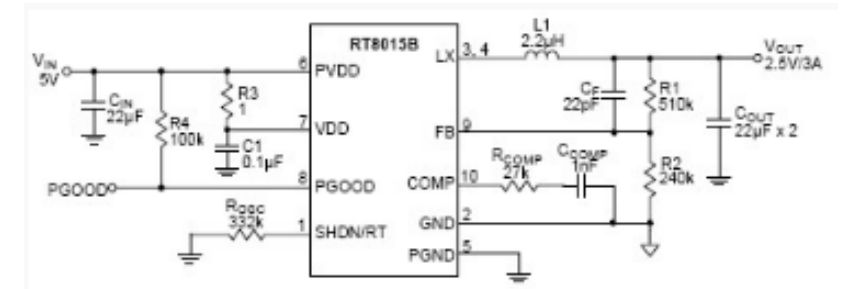
RT8015B

3A, 2MHz, Synchronous Step-Down Converter

Key Spec

	RT8015B
Status	Active
V _{in} (min) (V)	2.6
V _{in} (max) (V)	5.5
Number of Outputs	1
V _{out} (min) (V)	0.8
V _{out} (max) (V)	5
Output Adj. Method	Resistor
I _{out} (max) (A)	3
Current Limit (typ) (A)	3.8
Freq (typ) (kHz)	1000

Simplified Circuit



Application

- Portable Instruments
- Battery-Powered Equipment
- Notebook Computers
- Distributed Power Systems
- IP Phones
- Digital Cameras





More Info



WWW

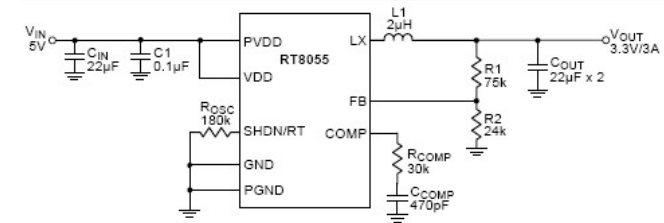
RT8055

3A, 2MHz, Synchronous Step-Down Converter

Key Spec

	RT8055
Status	Active
Vin (min) (V)	2.6
Vin (max) (V)	5.5
Number of Outputs	1
Vout (min) (V)	0.8
Vout (max) (V)	5
Output Adj. Method	Resistor
Iout (max) (A)	3
Current Limit (typ) (A)	4
Freq (typ) (kHz)	1800

Simplified Circuit



Application

- Portable Instruments
- Battery-Powered Equipment
- Notebook Computers
- Distributed Power Systems
- IP Phones
- Digital Cameras
- 3G/3.5G Data Card



BACK



More Info



WWW

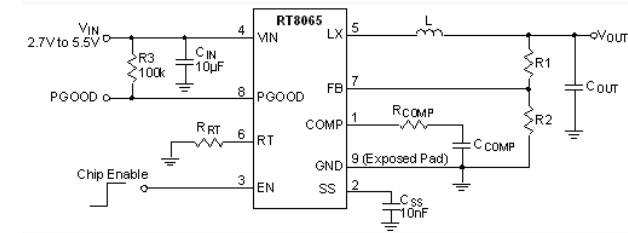
RT8065

3A, 2MHz, Synchronous Step-Down Converter

Key Spec

	RT8065
Status	Active
Vin (min) (V)	2.7
Vin (max) (V)	5.5
Number of Outputs	1
Vout (min) (V)	0.8
Vout (max) (V)	5
Output Adj. Method	Resistor
Iout (max) (A)	3
Current Limit (typ) (A)	4.5
Freq (typ) (kHz)	1000

Simplified Circuit



Application

- LCD TVs and Monitors
- Notebook Computers
- Distributed Power Systems
- IP Phones
- Digital Cameras





More Info



WWW

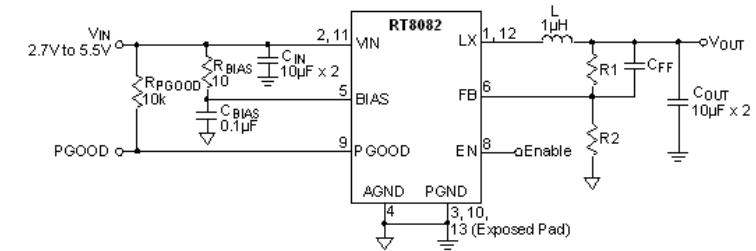
RT8082

3A, 2MHz, Synchronous Step-Down Converter

Key Spec

	RT8082
Status	Active
Vin (min) (V)	2.7
Vin (max) (V)	5.5
Number of Outputs	1
Vout (min) (V)	1
Vout (max) (V)	5
Output Adj. Method	Resistor
Iout (max) (A)	3
Current Limit (typ) (A)	5
Freq (typ) (kHz)	2000

Simplified Circuit



Application

- LCD TVs and Monitors
- Notebook Computers
- Distributed Power Systems
- IP Phones
- Digital Cameras



BACK



More Info



WWW

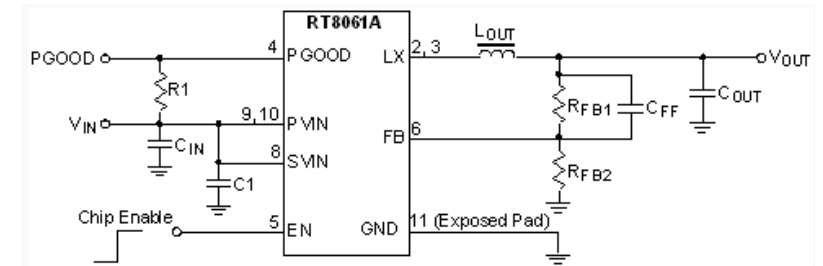
RT8061A

3A, 1MHz, Synchronous Step-Down Converter

Key Spec

	RT8061A
Status	Active
V _{in} (min) (V)	2.7
V _{in} (max) (V)	5.5
Number of Outputs	1
V _{out} (min) (V)	0.6
V _{out} (max) (V)	5.5
Output Adj. Method	Resistor
I _{out} (max) (A)	3
Current Limit (typ) (A)	4
Freq (typ) (kHz)	1000

Simplified Circuit



Application

- Portable Instruments
- Battery-Powered Equipment
- Notebook Computers
- Distributed Power Systems
- IP Phones
- Digital Cameras



BACK



More Info



WWW

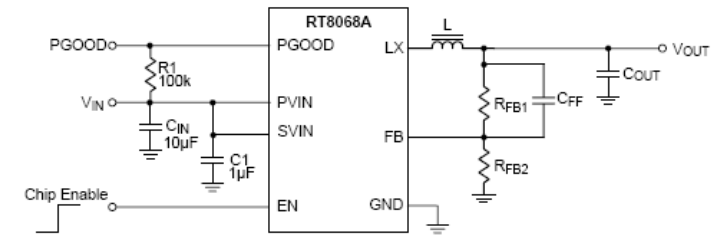
RT8068A

3A, 1MHz, Synchronous Step-Down Converter

Key Spec

	RT8068A
Status	Active
V _{in} (min) (V)	2.7
V _{in} (max) (V)	5.5
Number of Outputs	1
V _{out} (min) (V)	0.6
V _{out} (max) (V)	5.5
Output Adj. Method	Resistor
I _{out} (max) (A)	3
Current Limit (typ) (A)	4
Freq (typ) (kHz)	1000

Simplified Circuit



Application

- Portable Instruments
- Battery Powered Equipment
- Notebook Computers
- Distributed Power Systems
- IP Phones
- Digital Cameras





More Info



WWW

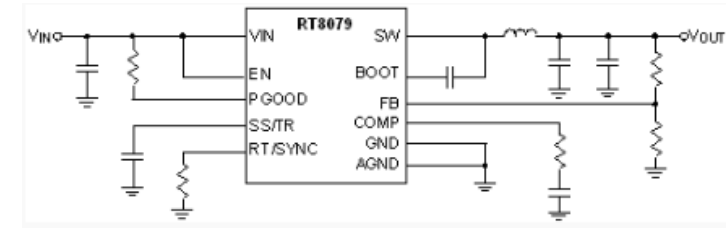
RT8079

2.95V to 6V Input, 3A Output, 2MHz, Synchronous Step-Down Converter

Key Spec

	RT8079
Status	Active
Vin (min) (V)	2.95
Vin (max) (V)	6
Number of Outputs	1
Vout (min) (V)	0.827
Vout (max) (V)	3.6
Output Adj. Method	Resistor
Iout (max) (A)	3
Current Limit (typ) (A)	6.6
Freq (min) (kHz)	300

Simplified Circuit



Application

- Low-Voltage, High-Density Power Systems
- Distributed Power Systems
- Point-of-Load Conversions





More Info



WWW

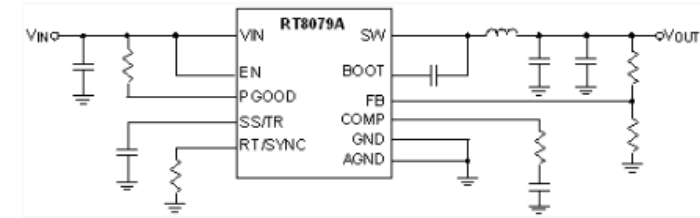
RT8079A

2.95V to 6V Input, 3A Output, 2MHz, Synchronous Step-Down Converter

Key Spec

	RT8079A
Status	Active
Vin (min) (V)	2.95
Vin (max) (V)	6
Number of Outputs	1
Vout (min) (V)	0.827
Vout (max) (V)	3.6
Output Adj. Method	Resistor
Iout (max) (A)	3
Current Limit (typ) (A)	6.6
Freq (min) (kHz)	300

Simplified Circuit



Application

- Low-Voltage, High-Density Power Systems
- Distributed Power Systems
- Point-of-Load Conversions





More Info



WWW

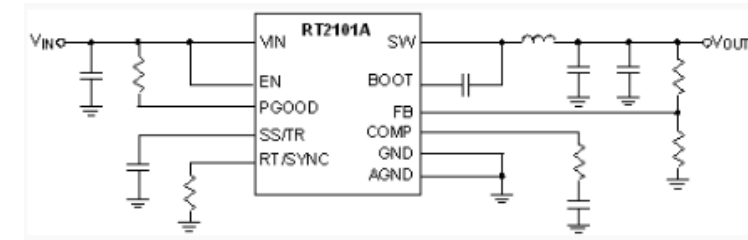
RT2101A

2.95V to 6V Input, 3A Output, 2MHz, Synchronous Step-Down Converter

Key Spec

	RT2101A
Status	Active
Vin (min) (V)	2.95
Vin (max) (V)	6
Number of Outputs	1
Vout (min) (V)	0.827
Vout (max) (V)	3.6
Output Adj. Method	Resistor
Iout (max) (A)	3
Current Limit (typ) (A)	7
Freq (typ) (kHz)	1000

Simplified Circuit



Application

- Low-Voltage, High-Density Power Systems
- Distributed Power Systems
- Point-of-Load Conversions

Evaluation Board



Richtek Technology Corporation



BACK



More Info



WWW

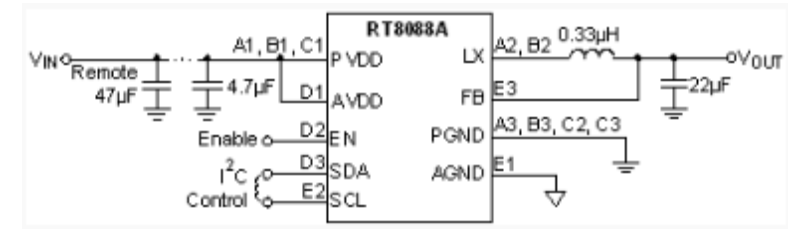
RT8088A

2.7MHz 3A Step-Down Converter with I2C Interface

Key Spec

	RT8088A
Status	Active
Vin (min) (V)	2.5
Vin (max) (V)	5.5
Number of Outputs	1
Vout (min) (V)	0.6
Vout (max) (V)	1.4
Output Adj. Method	Digital
Iout (max) (A)	3
Current Limit (typ) (A)	3.9
Freq (typ) (kHz)	2700

Simplified Circuit



Application

- Distributed Power Systems
- Enterprise Servers, Ethernet Switches & Routers, and Global Storage Equipment
- Telecom & Industrial Equipment





More Info



WWW

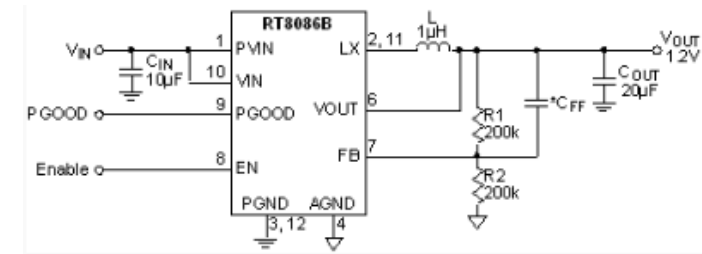
RT8086B

3.5A, 1.2MHz, Synchronous Step-Down Converter

Key Spec

	RT8086B
Status	Active
Vin (min) (V)	2.8
Vin (max) (V)	5.5
Number of Outputs	1
Vout (min) (V)	0.6
Vout (max) (V)	3.3
Output Adj. Method	Resistor
Iout (max) (A)	3.5
Current Limit (typ) (A)	6.68
Freq (typ) (kHz)	1200

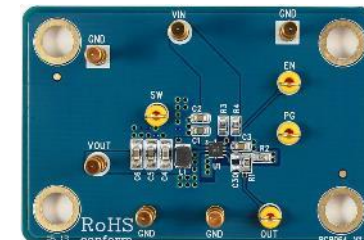
Simplified Circuit



Application

- Smart Handheld devices
- Portable Instruments
- Battery-Powered Equipment
- Distributed Power Systems

Evaluation Board





More Info



WWW

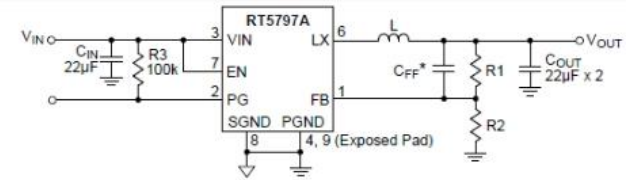
RT5797A

3A, 1MHz, 6V CMCOT Synchronous Step-Down Converter

Key Spec

	RT5797A
Status	Active
Vin (min) (V)	2.7
Vin (max) (V)	6
Number of Outputs	1
Vout (min) (V)	0.6
Vout (max) (V)	3.4
Output Adj. Method	Resistor
Iout (max) (A)	3
Current Limit (typ) (A)	3.7
Freq (typ) (kHz)	1000

Simplified Circuit



*CFF : Optional for performance fine-tune

Application

- STB, Cable Modem, & xDSL Platforms
- LCD TV Power Supply & Metering Platforms
- General Purpose Point of Load (POL)

Evaluation Board





More Info



WWW

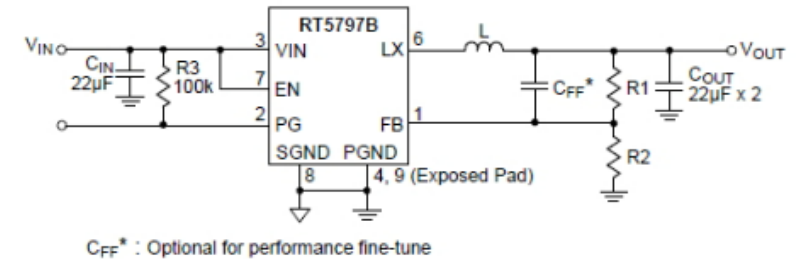
RT5797B

3A, 1MHz, 6V CMCOT Synchronous Step-Down Converter

Key Spec

	RT5797B
Status	Active
Vin (min) (V)	2.7
Vin (max) (V)	6
Number of Outputs	1
Vout (min) (V)	0.6
Vout (max) (V)	3.4
Output Adj. Method	Resistor
Iout (max) (A)	3
Current Limit (typ) (A)	3.7
Freq (typ) (kHz)	1000

Simplified Circuit



Application

- STB, Cable Modem, & xDSL Platforms
- LCD TV Power Supply & Metering Platforms
- General Purpose Point of Load (POL)





More Info



WWW

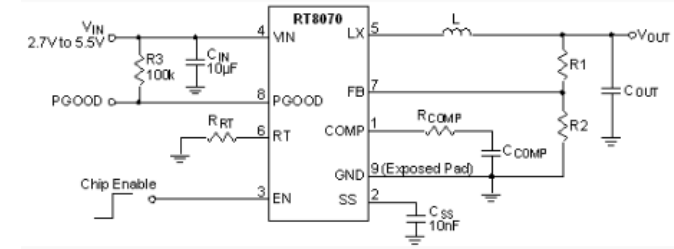
RT8070

4A, 2MHz, Synchronous Step-Down Converter

Key Spec

	RT8070
Status	Active
Vin (min) (V)	2.7
Vin (max) (V)	5.5
Number of Outputs	1
Vout (min) (V)	0.8
Vout (max) (V)	5
Output Adj. Method	Resistor
Iout (max) (A)	4
Current Limit (typ) (A)	5.8
Freq (typ) (kHz)	1000

Simplified Circuit



Application

- LCD TVs and Monitors
- Notebook Computers
- Distributed Power Systems
- IP Phones
- Digital Cameras





More Info



WWW

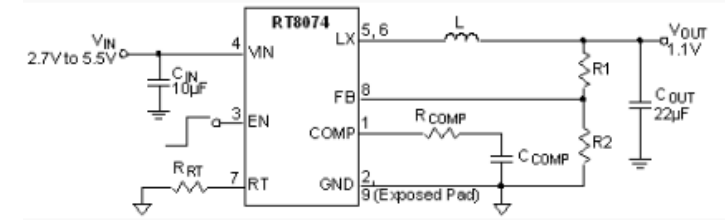
RT8074

4A, 2MHz, Synchronous Step-Down Converter

Key Spec

	RT8074
Status	Active
Vin (min) (V)	2.7
Vin (max) (V)	5.5
Number of Outputs	1
Vout (min) (V)	0.8
Vout (max) (V)	5
Output Adj. Method	Resistor
Iout (max) (A)	4
Current Limit (typ) (A)	5.8
Freq (typ) (kHz)	1000

Simplified Circuit



Application

- LCD TVs and Monitors
- Notebook Computers
- Distributed Power Systems
- IP Phones
- Digital Cameras





More Info



WWW

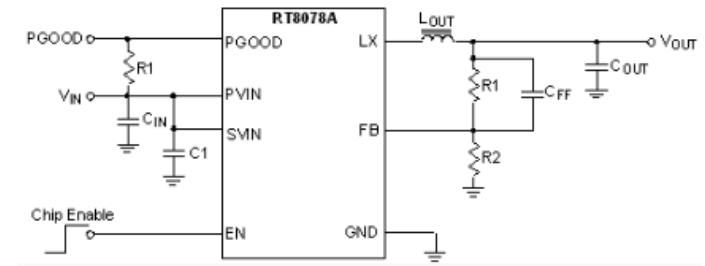
RT8078A

4A, 1MHz, Synchronous Step-Down Converter

Key Spec

	RT8078A
Status	Active
V _{in} (min) (V)	2.7
V _{in} (max) (V)	5.5
Number of Outputs	1
V _{out} (min) (V)	0.6
V _{out} (max) (V)	5.5
Output Adj. Method	Resistor
I _{out} (max) (A)	4
Current Limit (typ) (A)	4.4
Freq (typ) (kHz)	1000

Simplified Circuit



Application

- Portable Instruments
- Battery Powered Equipment
- Notebook Computers
- Distributed Power Systems
- IP Phones
- Digital Cameras





More Info



WWW

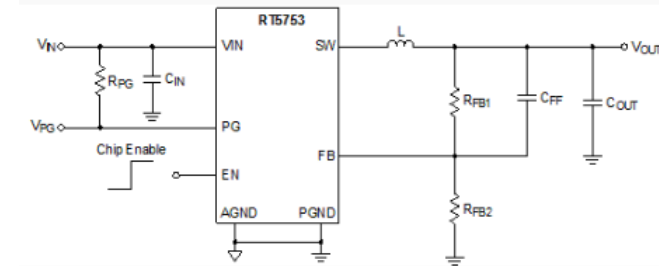
RT5753

3A, 1.2MHz, 6V Synchronous Step-Down Converter In WDFN-8L 2x2

Key Spec

	RT5753A	RT5753B	RT5753C	RT5753D	RT5753EL	RT5753FL
Status	Active	Active	Active	Active	Active	Active
Vin (min) (V)	2.5	2.5	2.5	2.5	2.5	2.5
Vin (max) (V)	5.5	5.5	5.5	5.5	5.5	5.5
Number of Outputs	1	1	1	1	1	1
Vout (min) (V)	0.6	0.6	0.6	0.6	0.6	0.6
Vout (max) (V)	5.5	5.5	5.5	5.5	5.5	5.5
Output Adj. Method	Resistor	Resistor	Resistor	Resistor	Resistor	Resistor
Iout (max) (A)	3	3	3	3	3	3
Current Limit (typ) (A)	3.45	3.45	3.45	3.45	3.45	3.45
Freq (typ) (kHz)	1200	1200	1200	1200	1200	1200

Simplified Circuit



Application

- Mobile Phones and Handheld Devices
- STB, Cable Modem, and xDSL Platforms
- WLAN ASIC Power / Storage (SSD and HDD)
- General Purpose for POL LV Buck Converters





More Info



WWW

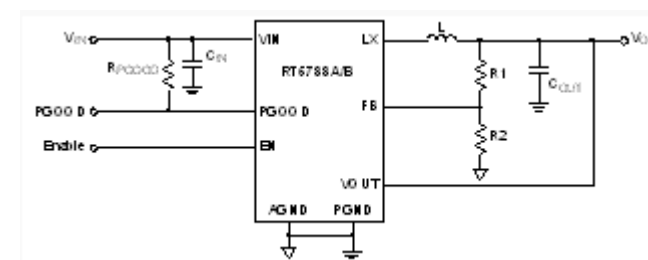
RT5788A/RT5788B

6V, 4A, 1.5MHz ACOT[®] Synchronous Step-Down Converter in TSOT-23-8 package

Key Spec

	RT5788A	RT5788B
Status	Active	Active
V _{in} (min) (V)	2.5	2.5
V _{in} (max) (V)	6	6
Number of Outputs	1	1
V _{out} (min) (V)	0.6	0.6
V _{out} (max) (V)	6	6
Output Adj. Method	Resistor	Resistor
I _{out} (max) (A)	4	4
Current Limit (typ) (A)	5.5	5.5
Freq (typ) (kHz)	1500	1500

Simplified Circuit



Application

- WLAN ASIC Power / Storage (SSD and HDD)
- Mobile Phones and Handheld Devices
- STB, Cable Modem, and xDSL Platforms
- General Purpose for POL LV Buck Converter





More Info



WWW

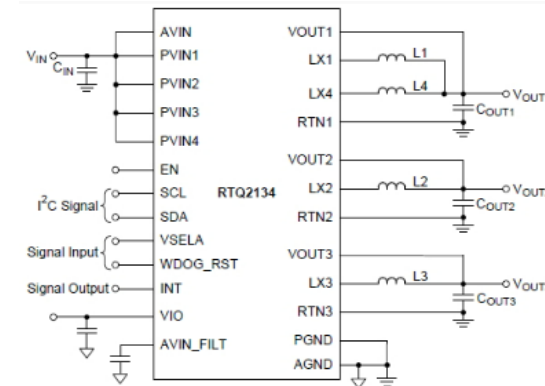
RTQ2134-QA

2.1MHz, 20A Multi-Phase Step-Down Converter with I2C Interface

Key Spec

	RTQ2134-QA
Status	Active
Vin (min) (V)	3
Vin (max) (V)	6
Number of Outputs	3
Vout (min) (V)	0.3
Vout (max) (V)	1.85
Output Adj. Method	Digital
Iout (max) (A)	5.5
Current Limit (typ) (A)	7
Freq (typ) (kHz)	2100

Simplified Circuit



Application

- Automotive Systems



Buck Converter $V_{in} < 7V$

6A

RT5789A

PSM, 100% duty,
ACOT

RT5789B

F-PWM, 100%
duty, ACOT

RT2659H

DDR supply,
CMCOT

8A (ACOT)

RTQ2158-QA

AEC-Q100

RTQ2158B-QA

AEC-Q100

RTQ2159

AEC-Q100

9A (ACOT)

RT5758

PSM

RT5759

PSM/F-PWM,
I2C control

RT5759A

PSM, I2C
control

10/12A (ACOT)

RTQ2134-QA

10A, PSM/F-
PWM, multi-CH,
I2C, AEC-Q100

RTQ2158A-QA

12A, F-PWM,
AEC-Q100



More Info



WWW

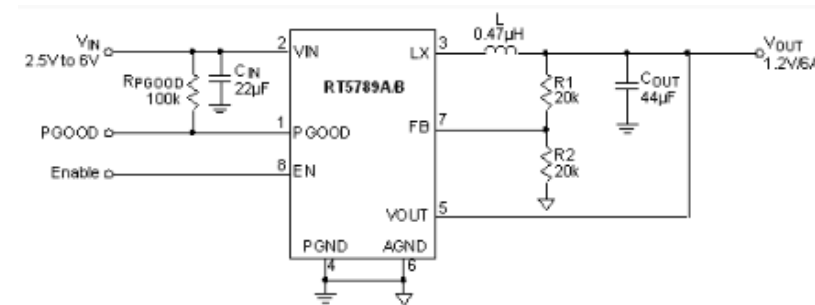
RT5789A/RT5789B

6V, 6A, 1.5MHz ACOT™ Synchronous Step-Down Converter in 2.5mm x 2mm Package

Key Spec

	RT5789A	RT5789B
Status	Active	Active
Vin (min) (V)	2.5	2.5
Vin (max) (V)	6	6
Number of Outputs	1	1
Vout (min) (V)	0.6	0.6
Vout (max) (V)	6	6
Output Adj. Method	Resistor	Resistor
Iout (max) (A)	6	6
Current Limit (typ) (A)	7.5	7.5
Freq (typ) (kHz)	1500	1500

Simplified Circuit



Application

- WLAN ASIC Power / Storage (SSD and HDD)
- Mobile Phones and Handheld Devices
- STB, Cable Modem, and xDSL Platforms
- General Purpose for POL LV Buck Converter





More Info



WWW

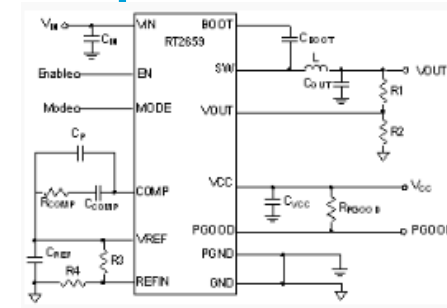
RT2659

6A, 6V, Synchronous Step-Down Converter with REFIN

Key Spec

	RT2659H
Status	Active
Vin (min) (V)	1
Vin (max) (V)	6
Number of Outputs	1
Vout (min) (V)	0.6
Vout (max) (V)	2
Output Adj. Method	Ext Vref;Resistor
Iout (max) (A)	6
Current Limit (typ) (A)	5.4;7.6
Freq (typ) (kHz)	1000;600

Simplified Circuit



Application

- DDR-2/3/4 VTT Regulation (1/2VDDQ) for Enterprise Servers, Ethernet Switches and Routers, Global Storage, GSM Base Station, and Industrial Equipment
- Enterprise POL (using precision internal VREF)



BACK



More Info



WWW

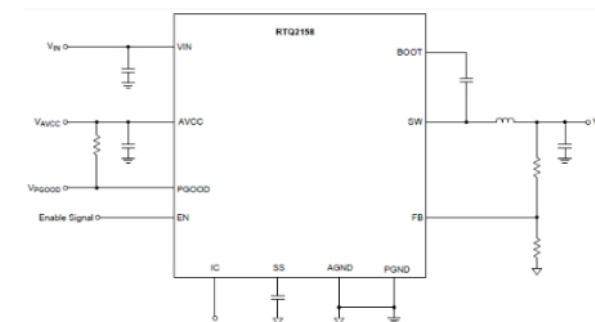
RTQ2158-QA

8A, 6.5V, 2.1MHz Synchronous Step-Down Converter

Key Spec

	RTQ2158-QA
Status	Active
Vin (min) (V)	2.85
Vin (max) (V)	6.5
Number of Outputs	1
Vout (min) (V)	0.6
Vout (max) (V)	3.3
Output Adj. Method	Resistor
Iout (max) (A)	8
Current Limit (typ) (A)	9.8
Freq (typ) (kHz)	2100

Simplified Circuit



Application

- Automotive Systems
- Infotainment and Cockpit Systems
- Vehicle ADAS ECU
- Connected Car Systems
- High Density DDR Memory
- Broadband Communications and Industrial Systems



BACK



More Info



WWW

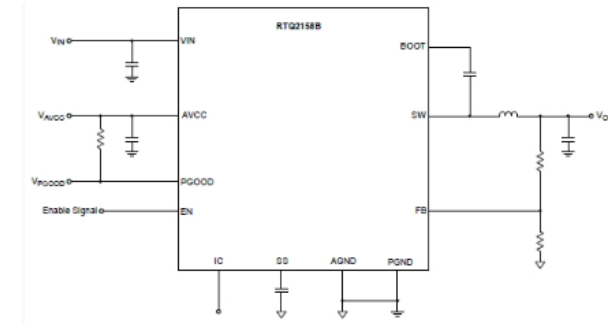
RTQ2158B-QA

8A, 6.5V, 460kHz Synchronous Step-Down Converter

Key Spec

	RTQ2158B-QA
Status	Active
Vin (min) (V)	2.85
Vin (max) (V)	6.5
Number of Outputs	1
Vout (min) (V)	0.6
Vout (max) (V)	3.3
Output Adj. Method	Resistor
Iout (max) (A)	8
Current Limit (typ) (A)	9.8
Freq (typ) (kHz)	460

Simplified Circuit



Application

- Automotive Systems
- Infotainment and Cockpit Systems
- Vehicle ADAS ECU
- Connected Car Systems
- High Density DDR Memory
- Broadband Communications and Industrial Systems





More Info



WWW

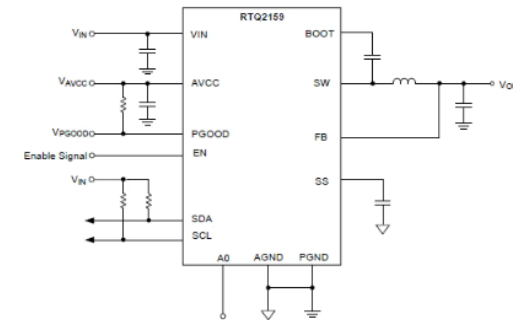
RTQ2159-QA

8A, 6.5V, 2.1MHz, ACOT[®] Synchronous Step-Down Converter with I²C Interface

Key Spec

	RTQ2159-QA
Status	Active
V _{in} (min) (V)	2.85
V _{in} (max) (V)	6.5
Number of Outputs	1
V _{out} (min) (V)	0.6
V _{out} (max) (V)	1.5
Output Adj. Method	Digital
I _{out} (max) (A)	8
Current Limit (typ) (A)	9.8
Freq (typ) (kHz)	2100

Simplified Circuit



Application

- Automotive Systems
- Infotainment and Cockpit Systems
- Vehicle ADAS ECU
- Connected Car Systems
- High Density DDR Memory
- Broadband Communications and Industrial Systems





More Info



WWW

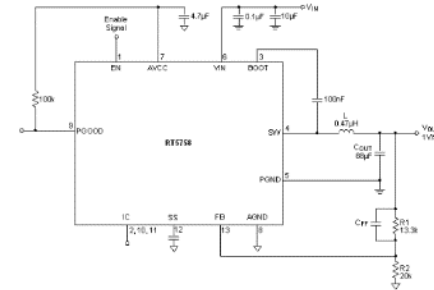
RT5758

9A, 6.5V, 1MHz Synchronous Step-Down Converter

Key Spec

	RT5758
Status	Active
Vin (min) (V)	3
Vin (max) (V)	6
Number of Outputs	1
Vout (min) (V)	0.6
Vout (max) (V)	3.3
Output Adj. Method	Resistor
Iout (max) (A)	9
Current Limit (typ) (A)	10.8
Freq (typ) (kHz)	1000

Simplified Circuit



Application

- Mobile Phones and Handheld Devices
- STB, Cable Modem, and xDSL Platform
- WLAN ASIC Power / Storage (SSD and HDD)
- General Purpose for POL LV Buck Converter
- TV



BACK



More Info



WWW

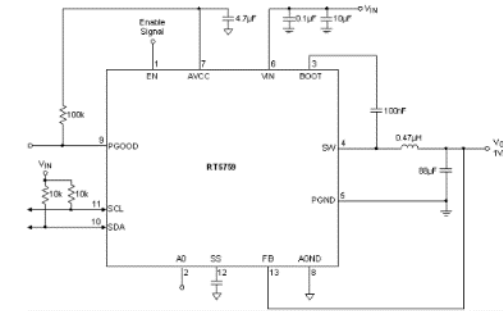
RT5759

9A, 6.5V, 1MHz, ACOT[®] Synchronous Step-Down Converter with I²C Interface

Key Spec

	RT5759
Status	Active
Vin (min) (V)	3
Vin (max) (V)	6.5
Number of Outputs	1
Vout (min) (V)	0.6
Vout (max) (V)	1.5
Output Adj. Method	Digital
Iout (max) (A)	9
Current Limit (typ) (A)	10.8
Freq (min) (kHz)	600

Simplified Circuit



Application

- Mobile Phones and Handheld Devices
- STB, Cable Modem, and xDSL Platform
- WLAN ASIC Power / Storage (SSD and HDD)
- General Purpose for POL LV Buck Converter
- TV



BACK



More Info



WWW

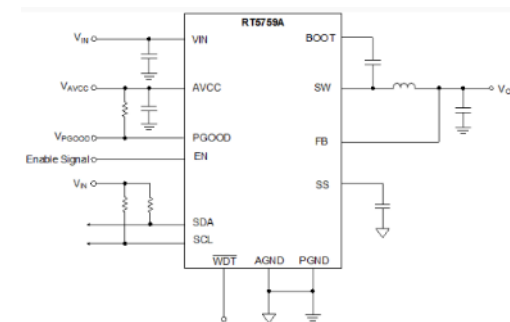
RT5759A

9A, 6.5V, 1MHz, ACOT[®] Synchronous Step-Down Converter with I²C Interface

Key Spec

	RT5759A
Status	Active
V _{in} (min) (V)	3
V _{in} (max) (V)	6.5
Number of Outputs	1
V _{out} (min) (V)	0.6
V _{out} (max) (V)	1.725
Output Adj. Method	Digital
I _{out} (max) (A)	9
Current Limit (typ) (A)	10.8;11.8;9.8
Freq (typ) (kHz)	1000;600;800

Simplified Circuit



Application

- Mobile Phones and Handheld Devices
- STB, Cable Modem, and xDSL Platform
- WLAN ASIC Power / Storage (SSD and HDD)
- General Purpose for POL LV Buck Converter
- TV



BACK



More Info



WWW

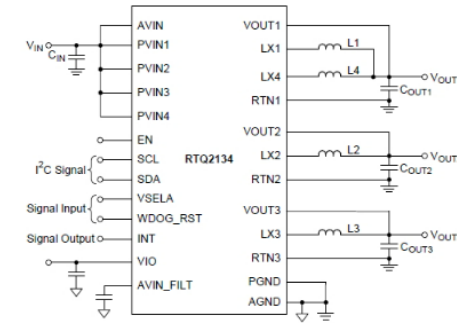
RTQ2134-QA

2.1MHz, 20A Multi-Phase Step-Down Converter with I²C Interface

Key Spec

	RTQ2134-QA
Status	Active
Vin (min) (V)	3
Vin (max) (V)	6
Number of Outputs	3
Vout (min) (V)	0.3
Vout (max) (V)	1.85
Output Adj. Method	Digital
Iout (max) (A)	5.5
Current Limit (typ) (A)	7
Freq (typ) (kHz)	2100

Simplified Circuit



Application

- Automotive Systems





More Info



WWW

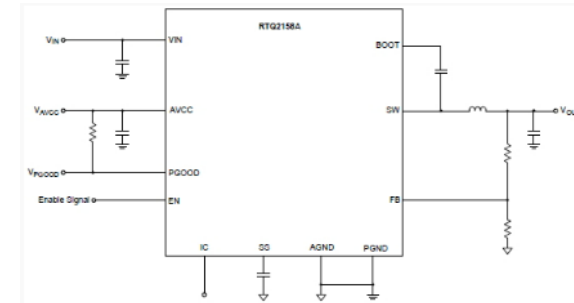
RTQ2158A-QA

Peak 12A, 6.5V, 460kHz Synchronous Step-Down Converter

Key Spec

	RTQ2158A-QA
Status	Active
Vin (min) (V)	2.85
Vin (max) (V)	6.5
Number of Outputs	1
Vout (min) (V)	0.6
Vout (max) (V)	3.3
Output Adj. Method	Resistor
Iout (max) (A)	12
Current Limit (typ) (A)	14.3
Freq (typ) (kHz)	460

Simplified Circuit

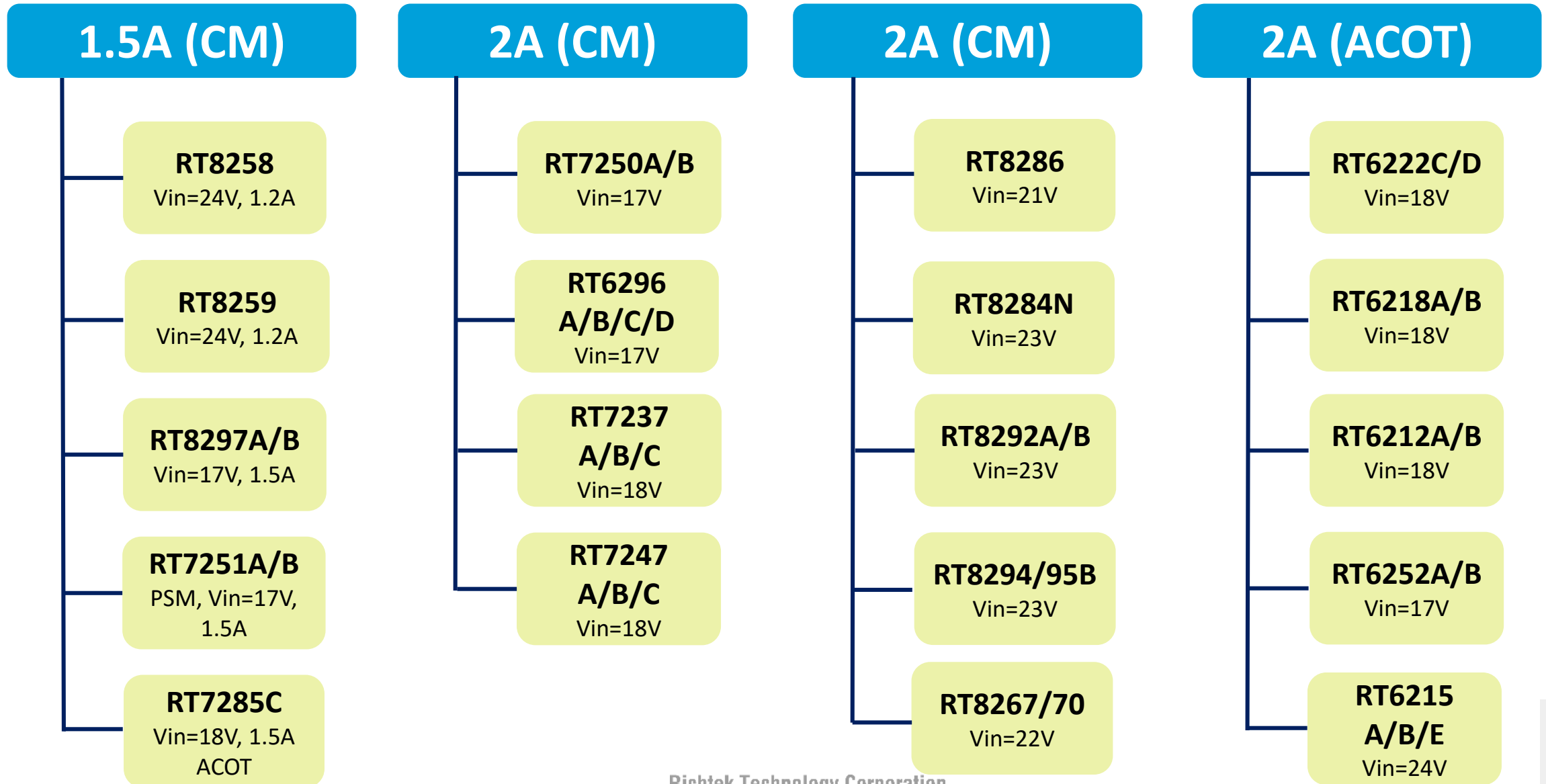


Application

- Automotive Systems
- Infotainment and Cockpit Systems
- Vehicle ADAS ECU
- Connected Car Systems
- High Density DDR Memory
- Broadband Communications and Industrial Systems



Buck Converter $7V \leq V_{in} < 24V$





More Info



WWW

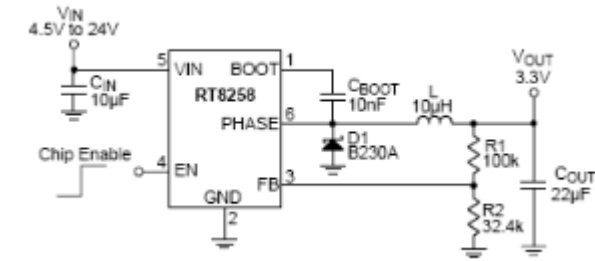
RT8258

1.2A, 24V, 700kHz Step-Down Converter

Key Spec

	RT8258
Status	Active
Vin (min) (V)	4.5
Vin (max) (V)	24
Number of Outputs	1
Vout (min) (V)	0.8
Vout (max) (V)	15
Output Adj. Method	Resistor
Iout (max) (A)	1.2
Current Limit (typ) (A)	2.1
Freq (typ) (kHz)	700

Simplified Circuit



Application

- Distributed Power Systems
- Battery Charger
- Pre-Regulator for Linear Regulators
- WLED Drivers



BACK



More Info



WWW

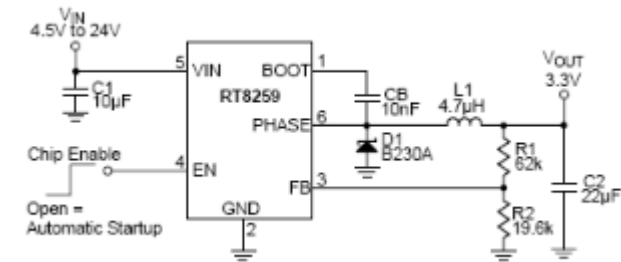
RT8259

1.2A, 24V, 1.4MHz Step-Down Converter

Key Spec

	RT8259
Status	Active
Vin (min) (V)	4.5
Vin (max) (V)	24
Number of Outputs	1
Vout (min) (V)	0.8
Vout (max) (V)	15
Output Adj. Method	Resistor
Iout (max) (A)	1.2
Current Limit (typ) (A)	2.1
Freq (typ) (kHz)	1400

Simplified Circuit



Application

- Distributed Power Systems
- Battery Charger
- Pre-Regulator for Linear Regulators
- WLED Drivers





More Info



WWW

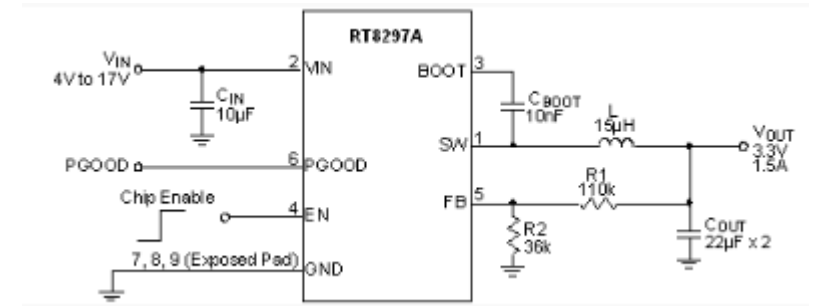
RT8297A/RT8297B

1.5A, 17V, 340/800kHz Synchronous Step-Down Converter

Key Spec

	RT8297A	RT8297B
Status	Active	Active
Vin (min) (V)	4	4
Vin (max) (V)	17	17
Number of Outputs	1	1
Vout (min) (V)	0.8	0.8
Vout (max) (V)	12	12
Output Adj. Method	Resistor	Resistor
Iout (max) (A)	1.5	1.5
Current Limit (typ) (A)	3	3
Freq (typ) (kHz)	340	800

Simplified Circuit



Application

- Industrial and Commercial Low Power Systems
- Computer Peripherals
- LCD Monitors and TVs
- Green Electronics/Appliances
- Point of Load Regulation for High-Performance DSPs, FPGAs, and ASICs





More Info



WWW

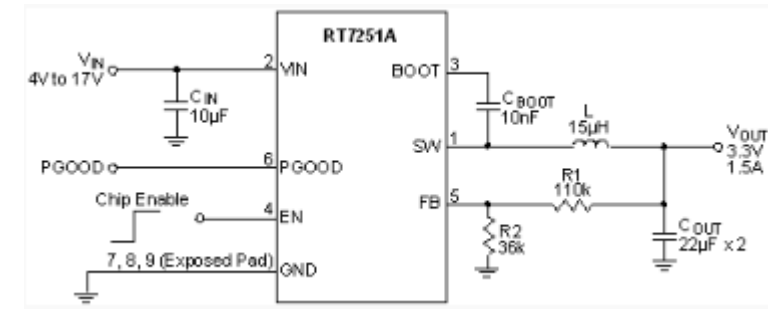
RT7251A/RT7251B

1.5A, 17V, 340/800kHz Synchronous Step-Down Converter

Key Spec

	RT7251A	RT7251B
Status	Active	Active
Vin (min) (V)	4	4
Vin (max) (V)	17	17
Number of Outputs	1	1
Vout (min) (V)	0.8	0.8
Vout (max) (V)	12	12
Output Adj. Method	Resistor	Resistor
Iout (max) (A)	1.5	1.5
Current Limit (typ) (A)	3	3
Freq (typ) (kHz)	340	800

Simplified Circuit



Application

- Industrial and Commercial Low Power Systems
- Computer Peripherals
- LCD Monitors and TVs
- Green Electronics/Appliances
- Point of Load Regulation for High-Performance DSPs, FPGAs, and ASICs





More Info



WWW

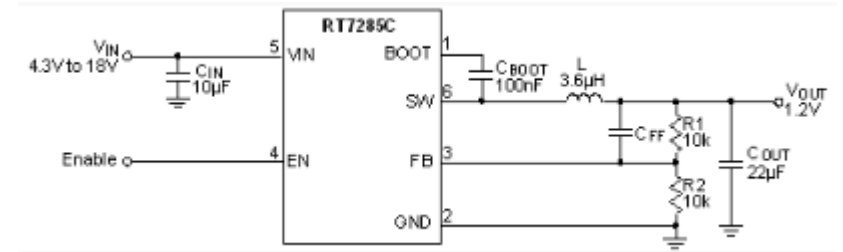
RT7285C

1.5A, 18V, 500kHz ACOT[®] Synchronous Step-Down Converter

Key Spec

	RT7285C
Status	Active
Vin (min) (V)	4.3
Vin (max) (V)	18
Number of Outputs	1
Vout (min) (V)	0.6
Vout (max) (V)	8
Output Adj. Method	Resistor
Iout (max) (A)	1.5
Current Limit (typ) (A)	2.2
Freq (typ) (kHz)	500

Simplified Circuit



Application

- Industrial and Commercial Low Power Systems
- Computer Peripherals
- LCD Monitors and TVs
- Green Electronics/Appliances
- Point of Load Regulation for High-Performance DSPs, FPGAs, and ASICs





More Info



WWW

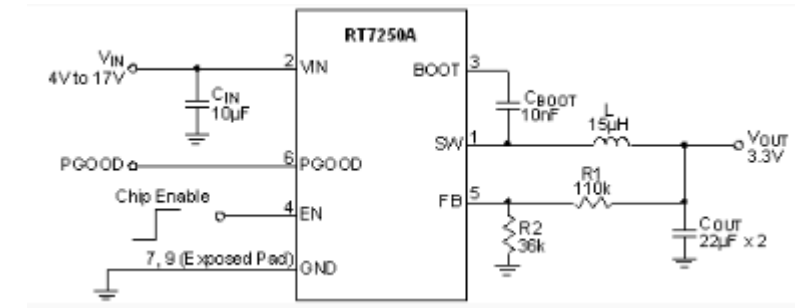
RT7250A/RT7250B

2A, 17V, 340/800kHz Synchronous Step-Down Converter

Key Spec

	RT7250A	RT7250B
Status	Active	Active
Vin (min) (V)	4	4
Vin (max) (V)	17	17
Number of Outputs	1	1
Vout (min) (V)	0.8	0.8
Vout (max) (V)	12	12
Output Adj. Method	Resistor	Resistor
Iout (max) (A)	2	2
Current Limit (typ) (A)	3.6	3.6
Freq (typ) (kHz)	340	800

Simplified Circuit



Application

- Industrial and Commercial Low Power Systems
- Computer Peripherals
- LCD Monitors and TVs
- Green Electronics/Appliances
- Point of Load Regulation for High-Performance DSPs, FPGAs, and ASICs





More Info



WWW

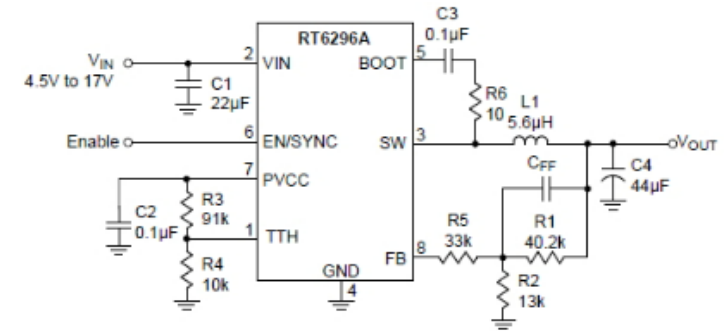
RT6296A

2A, 17V Current Mode Synchronous Step-Down Converter

Key Spec

	RT6296A
Status	Active
Vin (min) (V)	4.5
Vin (max) (V)	17
Number of Outputs	1
Vout (min) (V)	0.807
Vout (max) (V)	5
Output Adj. Method	Resistor
Iout (max) (A)	2
Current Limit (typ) (A)	4
Freq (typ) (kHz)	500

Simplified Circuit



Application

- Industrial and Commercial Low Power Systems
- Computer Peripherals
- LCD Monitors and TVs
- Set-top Boxes





More Info



WWW

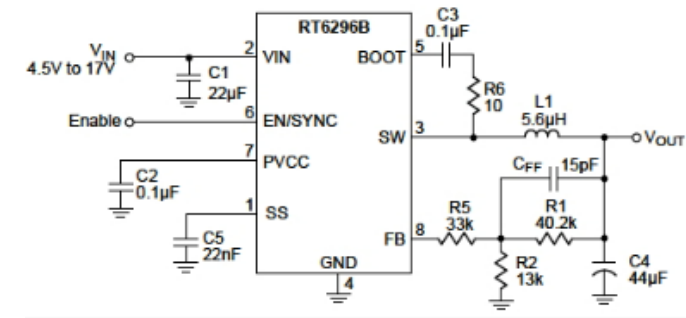
RT6296B

2A, 17V Current Mode Synchronous Step-Down Converter

Key Spec

	RT6296B
Status	Active
Vin (min) (V)	4.5
Vin (max) (V)	17
Number of Outputs	1
Vout (min) (V)	0.807
Vout (max) (V)	5
Output Adj. Method	Resistor
Iout (max) (A)	2
Current Limit (typ) (A)	4
Freq (typ) (kHz)	500

Simplified Circuit



Application

- Industrial and Commercial Low Power Systems
- Computer Peripherals
- LCD Monitors and TVs
- Set-top Boxes





More Info



WWW

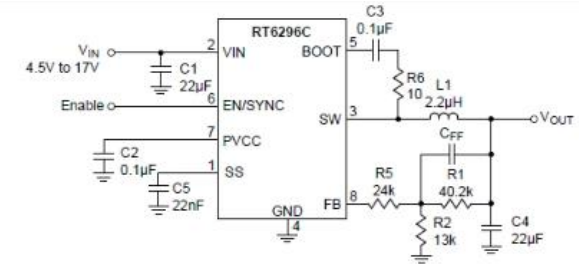
RT6296C

2A, 17V Current Mode Synchronous Step-Down Converter

Key Spec

	RT6296C
Status	Active
Vin (min) (V)	4.5
Vin (max) (V)	17
Number of Outputs	1
Vout (min) (V)	0.807
Vout (max) (V)	5
Output Adj. Method	Resistor
Iout (max) (A)	2
Current Limit (typ) (A)	3.4
Freq (typ) (kHz)	1400

Simplified Circuit



Note : All input and output capacitance in the suggested parameter mean the effective capacitance. The effective capacitance needs to consider any De-rating Effect like DC Bias.

Application

- Industrial and Commercial Low Power Systems
- Computer Peripherals
- LCD Monitors and TVs
- Set-top Boxes





More Info



WWW

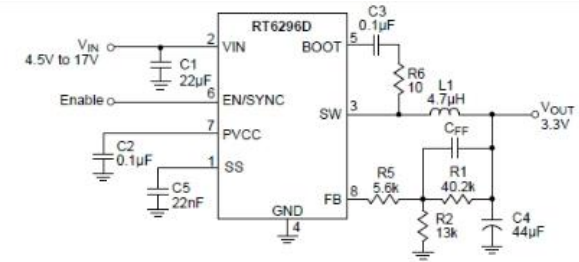
RT6296D

2A, 17V Current Mode Synchronous Step-Down Converter

Key Spec

	RT6296D
Status	Active
Vin (min) (V)	4.5
Vin (max) (V)	17
Number of Outputs	1
Vout (min) (V)	0.807
Vout (max) (V)	5
Output Adj. Method	Resistor
Iout (max) (A)	2
Current Limit (typ) (A)	4
Freq (typ) (kHz)	800

Simplified Circuit



Note : All input and output capacitance in the suggested parameter mean the effective capacitance. The effective capacitance needs to consider any De-rating Effect like DC Bias.

Application

- Industrial and Commercial Low Power Systems
- Computer Peripherals
- LCD Monitors and TVs
- Set-top Boxes





More Info



WWW

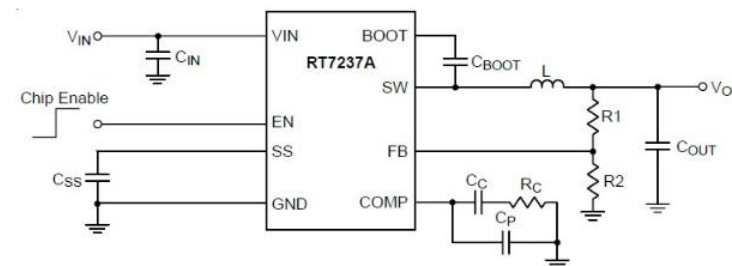
RT7237A

2A, 18V, 340kHz Synchronous Step-Down Converter

Key Spec

	RT7237A
Status	Active
Vin (min) (V)	4.5
Vin (max) (V)	18
Number of Outputs	1
Vout (min) (V)	0.8
Vout (max) (V)	15
Output Adj. Method	Resistor
Iout (max) (A)	2
Current Limit (typ) (A)	4
Freq (typ) (kHz)	340

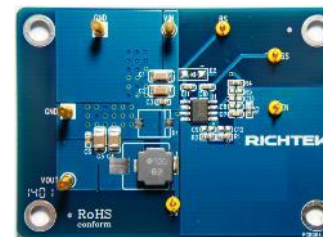
Simplified Circuit



Application

- Wireless AP/Router
- Set-Top-Box
- Industrial and Commercial Low Power Systems
- LCD Monitors and TVs
- Green Electronics/Appliances
- Point of Load Regulation of High-Performance DSPs

Evaluation Board



Richtek Technology Corporation



BACK



More Info



WWW

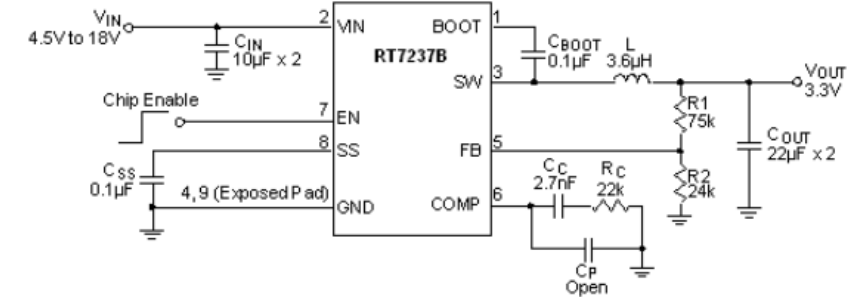
RT7237B

2A, 18V, 1.2MHz Synchronous Step-Down Converter

Key Spec

	RT7237B
Status	Active
Vin (min) (V)	4.5
Vin (max) (V)	18
Number of Outputs	1
Vout (min) (V)	0.8
Vout (max) (V)	12
Output Adj. Method	Resistor
Iout (max) (A)	2
Current Limit (typ) (A)	4
Freq (typ) (kHz)	1200

Simplified Circuit



Application

- Wireless AP/Router
- Set-Top-Box
- Industrial and Commercial Low Power Systems
- LCD Monitors and TVs
- Green Electronics/Appliances
- Point of Load Regulation of High-Performance DSPs





More Info



WWW

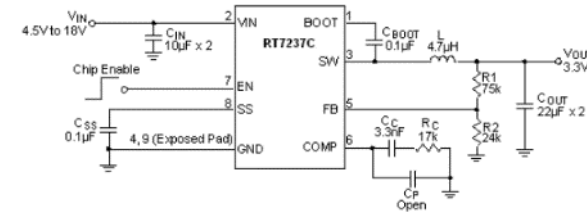
RT7237C

2A, 18V, 800kHz Synchronous Step-Down Converter

Key Spec

	RT7237C
Status	Active
Vin (min) (V)	4.5
Vin (max) (V)	18
Number of Outputs	1
Vout (min) (V)	0.8
Vout (max) (V)	12
Output Adj. Method	Resistor
Iout (max) (A)	2
Current Limit (typ) (A)	4
Freq (typ) (kHz)	800

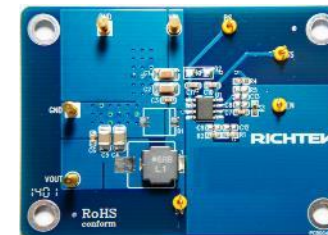
Simplified Circuit



Application

- Wireless AP/Router
- Set-Top-Box
- Industrial and Commercial Low Power Systems
- LCD Monitors and TVs
- Green Electronics/Appliances
- Point of Load Regulation of High-Performance DSPs

Evaluation Board



Richtek Technology Corporation



BACK



More Info



WWW

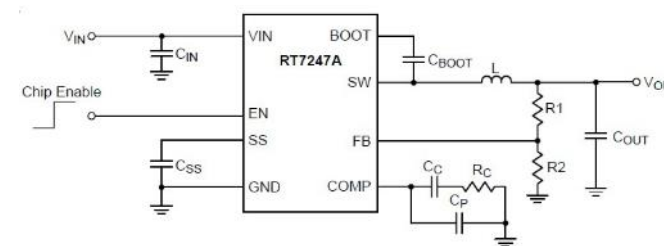
RT7247A

2A, 18V, 340kHz Synchronous Step-Down Converter

Key Spec

	RT7247A
Status	Active
Vin (min) (V)	4.5
Vin (max) (V)	18
Number of Outputs	1
Vout (min) (V)	0.8
Vout (max) (V)	15
Output Adj. Method	Resistor
Iout (max) (A)	2
Current Limit (typ) (A)	4
Freq (typ) (kHz)	340

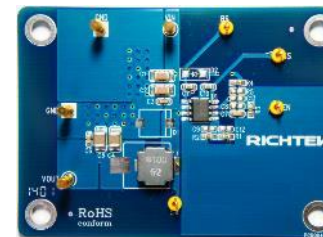
Simplified Circuit



Application

- Wireless AP/Router
- Set-Top-Box
- Industrial and Commercial Low Power Systems
- LCD Monitors and TVs
- Green Electronics/Appliances
- Point of Load Regulation of High-Performance DSPs

Evaluation Board



Richtek Technology Corporation



BACK



More Info



WWW

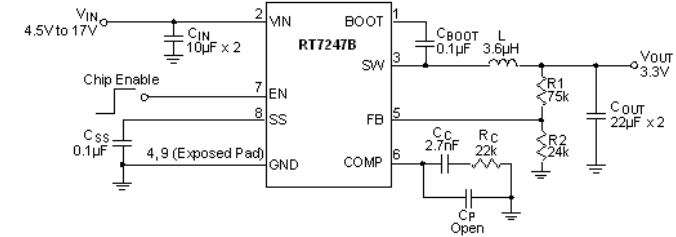
RT7247B

2A, 18V, 1.2MHz Synchronous Step-Down Converter

Key Spec

	RT7247B
Status	Active
Vin (min) (V)	4.5
Vin (max) (V)	18
Number of Outputs	1
Vout (min) (V)	0.8
Vout (max) (V)	12
Output Adj. Method	Resistor
Iout (max) (A)	2
Current Limit (typ) (A)	4
Freq (typ) (kHz)	1200

Simplified Circuit



Application

- Wireless AP/Router
- Set-Top-Box
- Industrial and Commercial Low Power Systems
- LCD Monitors and TVs
- Green Electronics/Appliances
- Point of Load Regulation of High-Performance DSPs





More Info



WWW

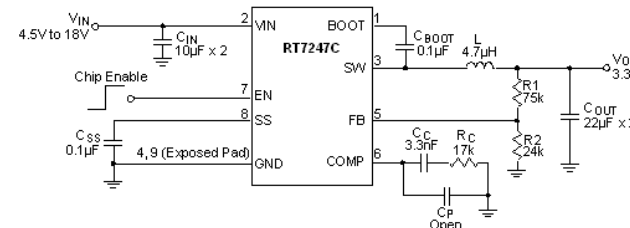
RT7247C

2A, 18V, 800kHz Synchronous Step-Down Converter

Key Spec

	RT7247C
Status	Active
Vin (min) (V)	4.5
Vin (max) (V)	18
Number of Outputs	1
Vout (min) (V)	0.8
Vout (max) (V)	12
Output Adj. Method	Resistor
Iout (max) (A)	2
Current Limit (typ) (A)	5.1
Freq (typ) (kHz)	800

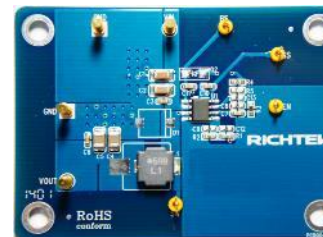
Simplified Circuit



Application

- Wireless AP/Router
- Set-Top-Box
- Industrial and Commercial Low Power Systems
- LCD Monitors and TVs
- Green Electronics/Appliances
- Point of Load Regulation of High-Performance DSPs

Evaluation Board



Richtek Technology Corporation



BACK



More Info



WWW

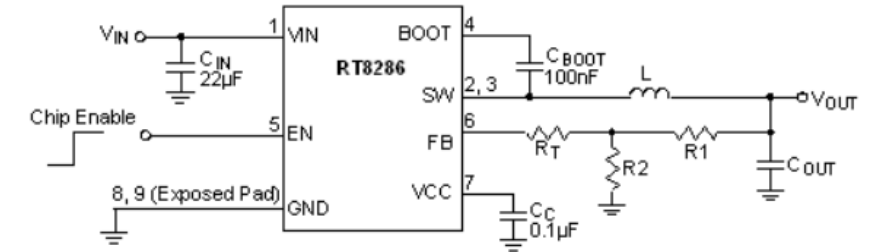
RT8286

2A, 21V 500kHz Synchronous Step-Down Converter

Key Spec

	RT8286
Status	Active
Vin (min) (V)	4.5
Vin (max) (V)	21
Number of Outputs	1
Vout (min) (V)	0.808
Vout (max) (V)	15
Output Adj. Method	Resistor
Iout (max) (A)	2
Current Limit (typ) (A)	5
Freq (typ) (kHz)	500

Simplified Circuit



Application

- Distributive Power Systems
- Battery Charger
- DSL Modems
- Pre-Regulator for Linear Regulators





More Info



WWW

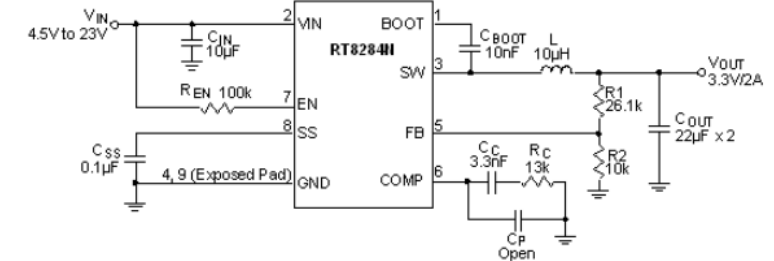
RT8284N

2A, 23V, 340kHz Synchronous Step-Down Converter

Key Spec

	RT8284N
Status	Active
Vin (min) (V)	4.5
Vin (max) (V)	23
Number of Outputs	1
Vout (min) (V)	0.923
Vout (max) (V)	20
Output Adj. Method	Resistor
Iout (max) (A)	2
Current Limit (typ) (A)	4.3
Freq (typ) (kHz)	340

Simplified Circuit



Application

- Wireless AP/Router
- Set-Top-Box
- Industrial and Commercial Low Power Systems
- LCD Monitors and TVs
- Green Electronics/Appliances
- Point of Load Regulation of High-Performance DSPs





More Info



WWW

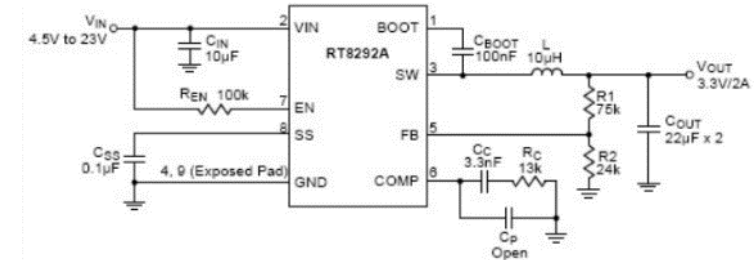
RT8292A

2A, 23V, 340kHz Synchronous Step-Down Converter

Key Spec

	RT8292A
Status	Active
Vin (min) (V)	4.5
Vin (max) (V)	23
Number of Outputs	1
Vout (min) (V)	0.8
Vout (max) (V)	20
Output Adj. Method	Resistor
Iout (max) (A)	2
Current Limit (typ) (A)	4.3
Freq (typ) (kHz)	340

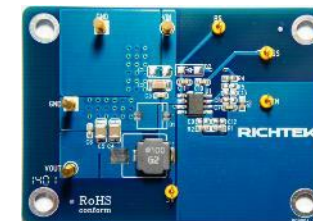
Simplified Circuit



Application

- Wireless AP/Router
- Set-Top-Box
- Industrial and Commercial Low Power Systems
- LCD Monitors and TVs
- Green Electronics/Appliances
- Point of Load Regulation of High-Performance DSPs

Evaluation Board





More Info



WWW

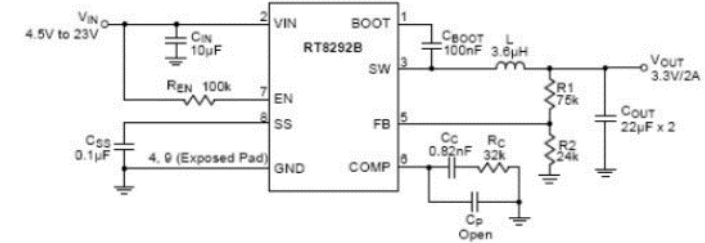
RT8292B

2A, 23V, 1.2MHz Synchronous Step-Down Converter

Key Spec

	RT8292B
Status	Active
Vin (min) (V)	4.5
Vin (max) (V)	23
Number of Outputs	1
Vout (min) (V)	0.8
Vout (max) (V)	15
Output Adj. Method	Resistor
Iout (max) (A)	2
Current Limit (typ) (A)	4.3
Freq (typ) (kHz)	1200

Simplified Circuit



Application

- Wireless AP/Router
- Set-Top-Box
- Industrial and Commercial Low Power Systems
- LCD Monitors and TVs
- Green Electronics/Appliances
- Point of Load Regulation of High-Performance DSPs





More Info



WWW

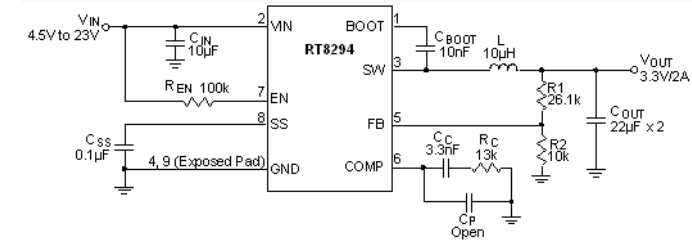
RT8294

2A, 23V, 340kHz Synchronous Step-Down Converter

Key Spec

	RT8294
Status	Active
Vin (min) (V)	4.5
Vin (max) (V)	23
Number of Outputs	1
Vout (min) (V)	0.923
Vout (max) (V)	20
Output Adj. Method	Resistor
Iout (max) (A)	2
Current Limit (typ) (A)	4.3
Freq (typ) (kHz)	340

Simplified Circuit



Application

- Wireless AP/Router
- Set-Top-Box
- Industrial and Commercial Low Power Systems
- LCD Monitors and TVs
- Green Electronics/Appliances
- Point of Load Regulation of High-Performance DSPs





More Info



WWW

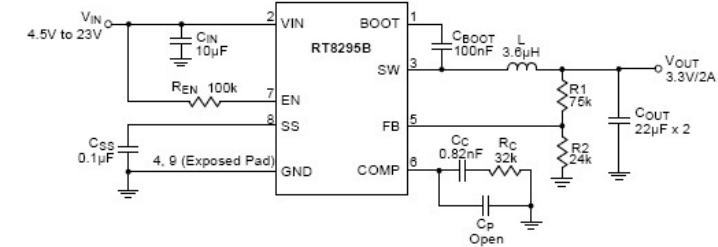
RT8295B

2A, 23V, 1.2MHz Synchronous Step-Down Converter

Key Spec

	RT8295B
Status	Active
Vin (min) (V)	4.5
Vin (max) (V)	23
Number of Outputs	1
Vout (min) (V)	0.8
Vout (max) (V)	15
Output Adj. Method	Resistor
Iout (max) (A)	2
Current Limit (typ) (A)	4.3
Freq (typ) (kHz)	1200

Simplified Circuit



Application

- Wireless AP/Router
- Set-Top-Box
- Industrial and Commercial Low Power Systems
- LCD Monitors and TVs
- Green Electronics/Appliances
- Point of Load Regulation of High-Performance DSPs





More Info



WWW

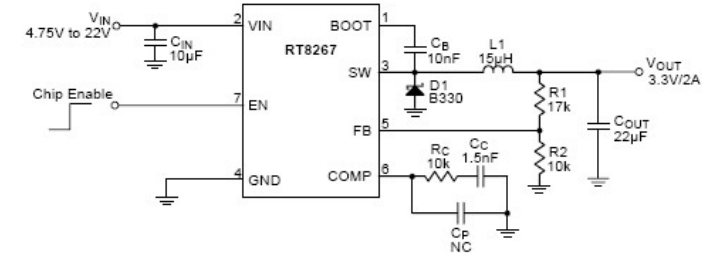
RT8267

2A, 22V, 400kHz Step-Down Converter

Key Spec

	RT8267
Status	Active
Vin (min) (V)	4.75
Vin (max) (V)	22
Number of Outputs	1
Vout (min) (V)	1.222
Vout (max) (V)	16
Output Adj. Method	Resistor
Iout (max) (A)	2
Current Limit (typ) (A)	2.7
Freq (typ) (kHz)	400

Simplified Circuit



Application

- Distributive Power Systems
- Battery Charger
- DSL Modems
- Pre-regulator for Linear Regulators





More Info



WWW

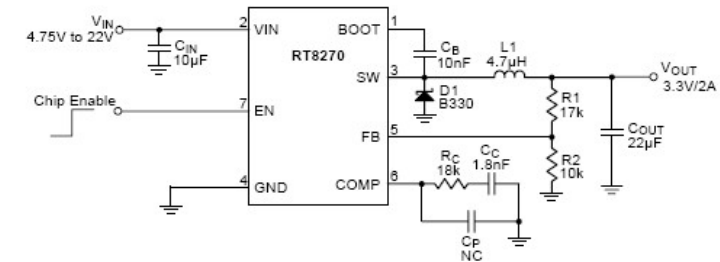
RT8270

2A, 22V, 1.2MHz Step-Down Converter

Key Spec

	RT8270
Status	Active
Vin (min) (V)	4.75
Vin (max) (V)	22
Number of Outputs	1
Vout (min) (V)	1.222
Vout (max) (V)	16
Output Adj. Method	Resistor
Iout (max) (A)	2
Current Limit (typ) (A)	3
Freq (typ) (kHz)	1200

Simplified Circuit



Application

- Distributive Power Systems
- Battery Charger
- DSL Modems
- Pre-regulator for Linear Regulators





More Info



WWW

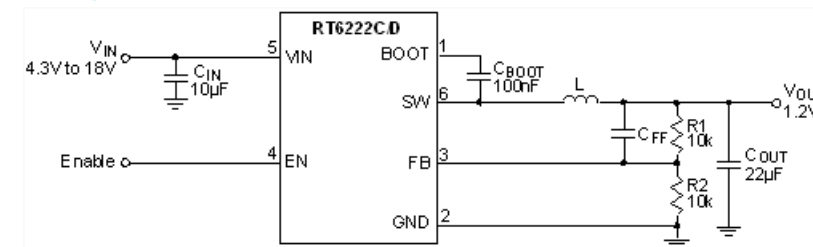
RT6222C/RT6222D

2A, 18V, 1.4MHz ACOT[®] Synchronous Step-Down Converter

Key Spec

	RT6222C	RT6222D
Status	Active	Active
V _{in} (min) (V)	4.3	4.3
V _{in} (max) (V)	18	18
Number of Outputs	1	1
V _{out} (min) (V)	0.6	0.6
V _{out} (max) (V)	8	8
Output Adj. Method	Resistor	Resistor
I _{out} (max) (A)	2	2
Current Limit (typ) (A)	2.9	2.9
Freq (typ) (kHz)	1400	1400

Simplified Circuit



Application

- Industrial and Commercial Low Power Systems
- Computer Peripherals
- LCD Monitors and TVs
- Green Electronics/Appliances
- Point of Load Regulation for High-Performance DSPs, FPGAs, and ASICs





More Info



WWW

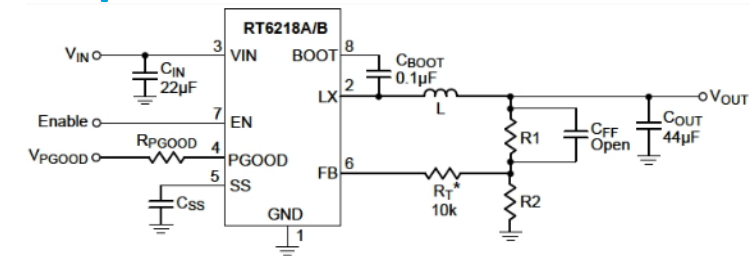
RT6218A/RT6218B

18V, 2A, ACOT™ Step-Down Converter in 8 Pin TSOT-23

Key Spec

	RT6218A	RT6218B
Status	Active	Active
V _{in} (min) (V)	4.5	4.5
V _{in} (max) (V)	18	18
Number of Outputs	1	1
V _{out} (min) (V)	0.765	0.765
V _{out} (max) (V)	6.5	6.5
Output Adj. Method	Resistor	Resistor
I _{out} (max) (A)	2	2
Current Limit (typ) (A)	3.2	3.2
Freq (typ) (kHz)	650	650

Simplified Circuit



Application

- Set-Top Boxes
- LCD TVs
- Home Networking Devices
- Surveillance
- General Purpose





More Info



WWW

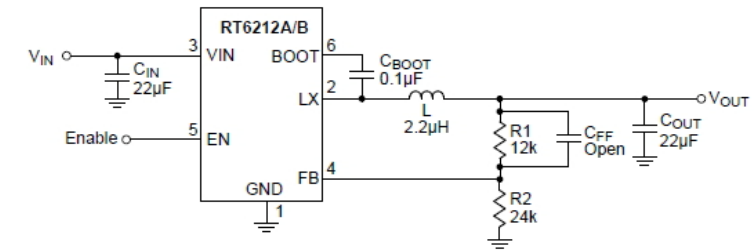
RT6212A/RT6212B

2A, 18V, 500kHz, ACOT[®] Step-Down Converter

Key Spec

	RT6212A	RT6212B
Status	Active	Active
V _{in} (min) (V)	4.5	4.5
V _{in} (max) (V)	18	18
Number of Outputs	1	1
V _{out} (min) (V)	0.765;0.8	0.765;0.8
V _{out} (max) (V)	6.5	6.5
Output Adj. Method	Resistor	Resistor
I _{out} (max) (A)	2	2
Current Limit (typ) (A)	3.3	3.3
Freq (typ) (kHz)	500	500

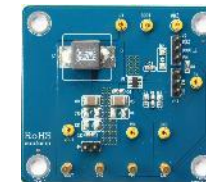
Simplified Circuit



Application

- Set-Top Boxes
- Portable TVs
- Access Point Routers
- DSL Modems
- LCD TVs

Evaluation Board



EVB_RT6212AHGJ6F





More Info



WWW

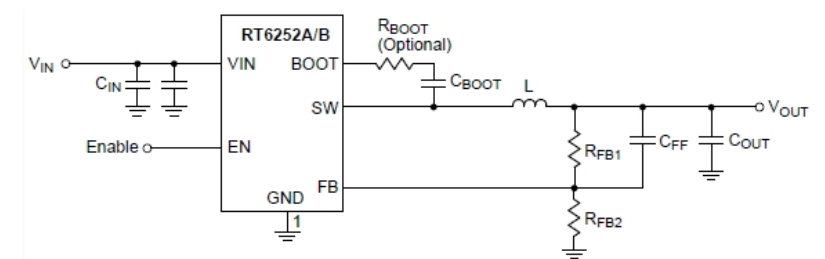
RT6252A/RT6252B

17V Input, 2A, ACOT[®] Buck Converter with Both FETs OC Protection

Key Spec

	RT6252A	RT6252B
Status	Active	Active
V _{in} (min) (V)	4.5	4.5
V _{in} (max) (V)	17	17
Number of Outputs	1	1
V _{out} (min) (V)	0.765;0.807	0.765;0.807
V _{out} (max) (V)	7	7
Output Adj. Method	Resistor	Resistor
I _{out} (max) (A)	2	2
Current Limit (typ) (A)	3.2;3.35	3.2;3.35
Freq (typ) (kHz)	580	580

Simplified Circuit



Application

- Set-Top Boxes
- LCD TVs
- Home Networking Devices
- Surveillance
- General Purpose





More Info



WWW

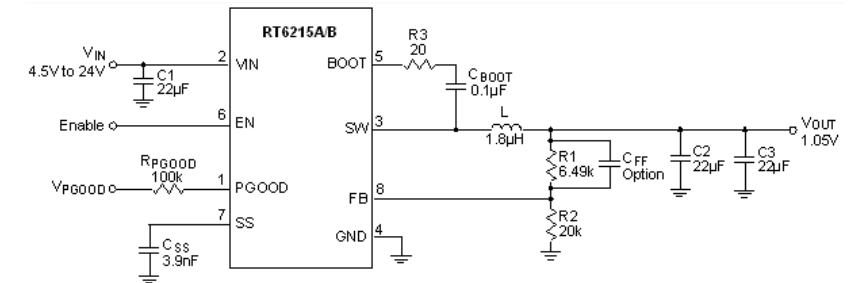
RT6215A/RT6215B

24V, 2A, 500kHz, ACOT[®] Step-Down Converter in 8 Pin TSOT-23

Key Spec

	RT6215A	RT6215B
Status	Active	Active
V _{in} (min) (V)	4.5	4.5
V _{in} (max) (V)	24	24
Number of Outputs	1	1
V _{out} (min) (V)	0.791	0.791
V _{out} (max) (V)	5	5
Output Adj. Method	Resistor	Resistor
I _{out} (max) (A)	2	2
Current Limit (typ) (A)	2.7	2.7
Freq (typ) (kHz)	500	500

Simplified Circuit



Application

- Set Top Box
- Portable TV
- Access Point Router
- DSL Modem
- LCD TV





More Info



WWW

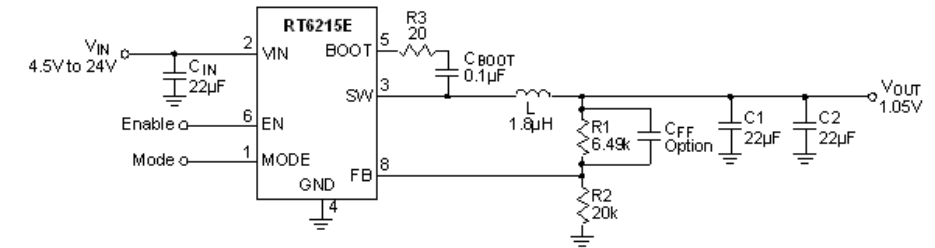
RT6215E

2A, 24V, 500kHz, ACOT[®] Step-Down Converter

Key Spec

	RT6215E
Status	Active
Vin (min) (V)	4.5
Vin (max) (V)	24
Number of Outputs	1
Vout (min) (V)	0.791
Vout (max) (V)	5
Output Adj. Method	Resistor
Iout (max) (A)	2
Current Limit (typ) (A)	2.7
Freq (typ) (kHz)	500

Simplified Circuit



Application

- Set Top Box
- Portable TV
- Access Point Router
- DSL Modem
- LCD TV



Buck Converter $7V \leq V_{in} < 24V$

2A (ACOT)

RT6352A/B
Vin=17V

RT6262A/B
Vin=17V

RT6272A/B
Vin=17V

RT6372A/B
Vin=17V

RT7274/79
RT7280/81
Vin=18V

2.5A (ACOT)

RT6222A
PSM, Vin=18V

RT6222B
Vin=18V

RT7294C
Vin=18V

3A (CM)

RT7296
A/B/C/F
Vin=17V

RT7257
A/B/C/G
Vin=18V, PSM

RT8290/A
Vin=23V,
FPWM/PSM-PWM

RT8293A/B
Vin=23V, FPWM

RT8296A/B
Vin=23V, PSM

RT8299/A
Vin=24V,
FPWM/PSM

3A (CM)

RT8265
Vin=24V, FPWM

RT8269
Vin=24V, FPWM

RT6283B
Vin=30V, PSM

RT8250
Vin=23V
FPWM



More Info



WWW

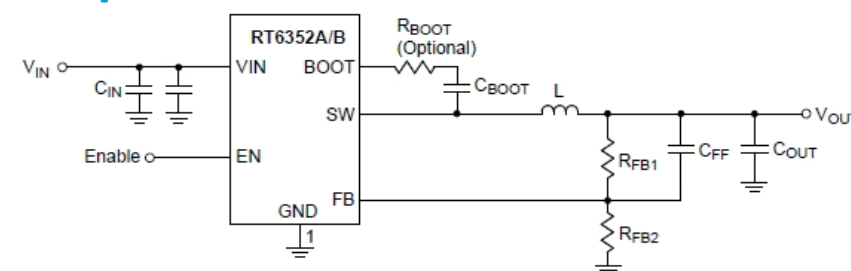
RT6352A/RT6352B

17V Input, 2A, ACOT[®] Buck Converter with Both FETs OC Protection Converter

Key Spec

	RT6352A	RT6352B
Status	Active	Active
V _{in} (min) (V)	4.5	4.5
V _{in} (max) (V)	17	17
Number of Outputs	1	1
V _{out} (min) (V)	0.6	0.6
V _{out} (max) (V)	7	7
Output Adj. Method	Resistor	Resistor
I _{out} (max) (A)	2	2
Current Limit (typ) (A)	3.2	3.2
Freq (typ) (kHz)	580	580

Simplified Circuit



Application

- Set-Top Boxes
- LCD TVs
- Home Networking Devices
- Surveillance
- General Purpose





More Info



WWW

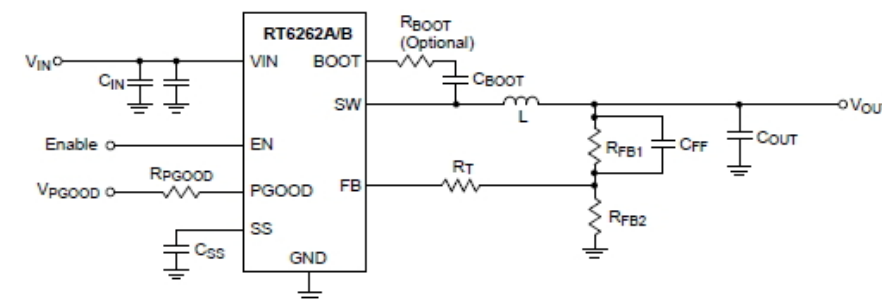
RT6262A/RT6262B

17V Input, 2A, ACOT[®] Buck Converter with Both FETs OC Protection

Key Spec

	RT6262A	RT6262B
Status	Active	Active
V _{in} (min) (V)	4.5	4.5
V _{in} (max) (V)	17	17
Number of Outputs	1	1
V _{out} (min) (V)	0.765	0.765
V _{out} (max) (V)	7	7
Output Adj. Method	Resistor	Resistor
I _{out} (max) (A)	2	2
Current Limit (typ) (A)	3.2	3.2
Freq (typ) (kHz)	650	650

Simplified Circuit



Application

- Set-Top Boxes
- LCD TVs
- Home Networking Devices
- Surveillance
- General Purpose





More Info



WWW

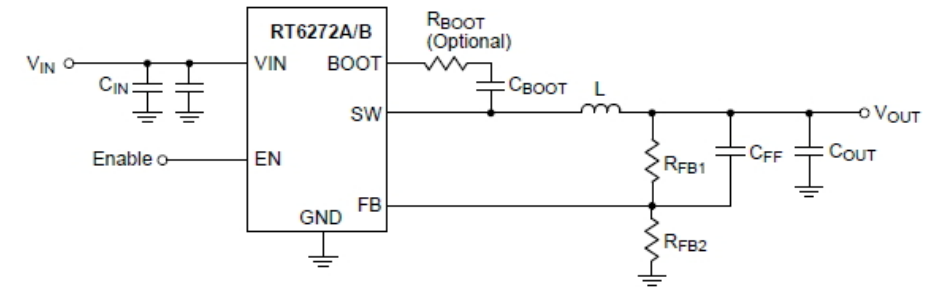
RT6272A/RT6272B

17V Input, 2A, ACOT[®] Buck Converter with Both FETs OC Protection

Key Spec

	RT6272A	RT6272B
Status	Active	Active
V _{in} (min) (V)	4.5	4.5
V _{in} (max) (V)	17	17
Number of Outputs	1	1
V _{out} (min) (V)	0.765	0.765
V _{out} (max) (V)	7	7
Output Adj. Method	Resistor	Resistor
I _{out} (max) (A)	2	2
Current Limit (typ) (A)	3.2	3.2
Freq (typ) (kHz)	1400	1400

Simplified Circuit



Application

- Set-Top Boxes
- LCD TVs
- Home Networking Devices
- Surveillance
- General Purpose





More Info



WWW

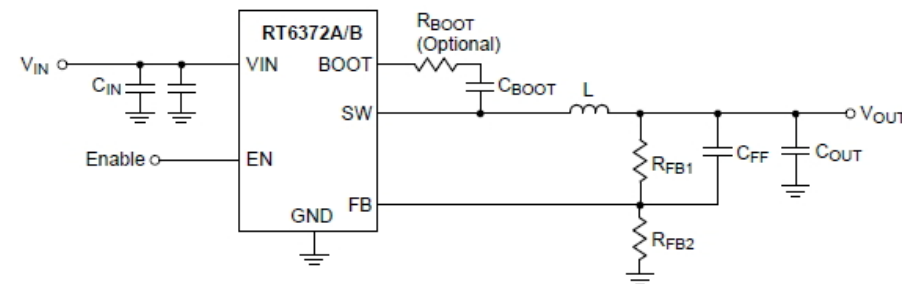
RT6372A/RT6372B

17V Input, 2A, ACOT[®] Buck Converter with Both FETs OC Protection

Key Spec

	RT6372A	RT6372B
Status	Active	Active
V _{in} (min) (V)	4.5	4.5
V _{in} (max) (V)	17	17
Number of Outputs	1	1
V _{out} (min) (V)	0.6	0.6
V _{out} (max) (V)	7	7
Output Adj. Method	Resistor	Resistor
I _{out} (max) (A)	2	2
Current Limit (typ) (A)	3.2	3.2
Freq (typ) (kHz)	1400	1400

Simplified Circuit



Application

- Set-Top Boxes
- LCD TVs
- Home Networking Devices
- Surveillance
- General Purpose



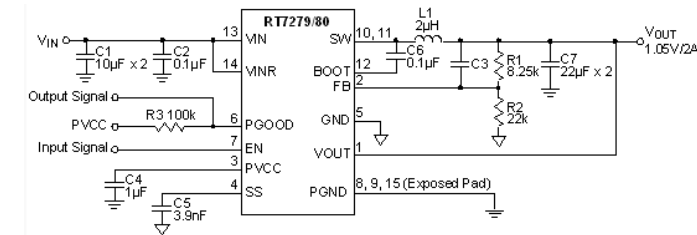
RT7274/RT7279/RT7280/RT7281

2A, 18V, 700kHz ACOT[®] Synchronous Step-Down Converter

Key Spec

	RT7274	RT7279	RT7280	RT7281
Status	Active	Active	Active	Active
Vin (min) (V)	4.5	4.5	4.5	4.5
Vin (max) (V)	18	18	18	18
Number of Outputs	1	1	1	1
Vout (min) (V)	0.765	0.765	0.765	0.765
Vout (max) (V)	8	8	8	8
Output Adj. Method	Resistor	Resistor	Resistor	Resistor
Iout (max) (A)	2	2	2	2
Current Limit (typ) (A)	3.5	3.5	3.5	3.5
Freq (typ) (kHz)	700	700	700	700

Simplified Circuit



Application

- Industrial and Commercial Low Power Systems
- Computer Peripherals
- LCD Monitors and TVs
- Green Electronics/Appliances
- Point of Load Regulation for High-Performance DSPs, FPGAs, and ASICs

Evaluation Board



EVB_RT7279GQW



EVB_RT7280GQW



More Info



WWW

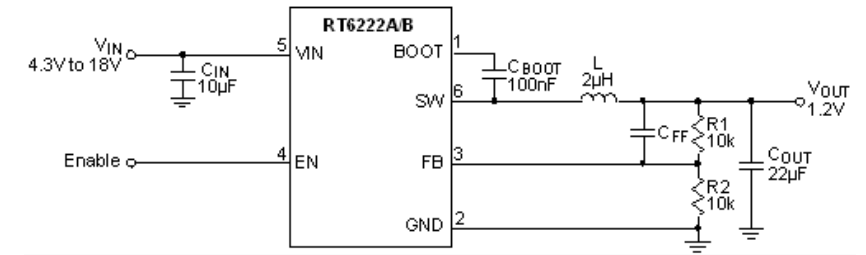
RT6222A/RT6222B

2.5A, 18V, 500kHz ACOT[®] Synchronous Step-Down Converter

Key Spec

	RT6222A	RT6222B
Status	Active	Active
Vin (min) (V)	4.3	4.3
Vin (max) (V)	18	18
Number of Outputs	1	1
Vout (min) (V)	0.6	0.6
Vout (max) (V)	8	8
Output Adj. Method	Resistor	Resistor
Iout (max) (A)	2.5	2.5
Current Limit (typ) (A)	3.4	3.4
Freq (typ) (kHz)	500	500

Simplified Circuit



Application

- Industrial and Commercial Low Power Systems
- Computer Peripherals
- LCD Monitors and TVs
- Green Electronics/Appliances
- Point of Load Regulation for High-Performance DSPs, FPGAs, and ASICs





More Info



WWW

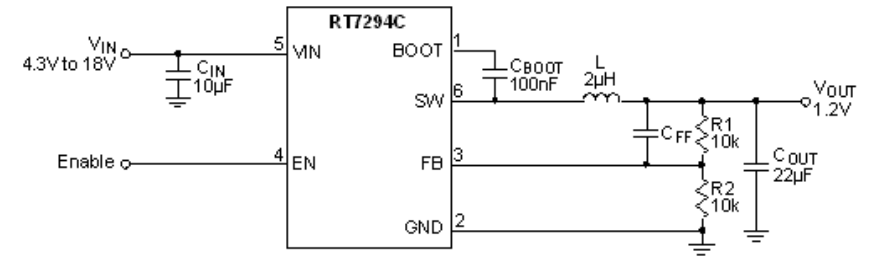
RT7294C

2.5A, 18V, 500kHz ACOT[®] Synchronous Step-Down Converter

Key Spec

	RT7294C
Status	Active
Vin (min) (V)	4.3
Vin (max) (V)	18
Number of Outputs	1
Vout (min) (V)	0.6
Vout (max) (V)	8
Output Adj. Method	Resistor
Iout (max) (A)	2.5
Current Limit (typ) (A)	3.4
Freq (typ) (kHz)	500

Simplified Circuit



Application

- Industrial and Commercial Low Power Systems
- Computer Peripherals
- LCD Monitors and TVs
- Green Electronics/Appliances
- Point of Load Regulation for High-Performance DSPs, FPGAs, and ASICs





More Info



WWW

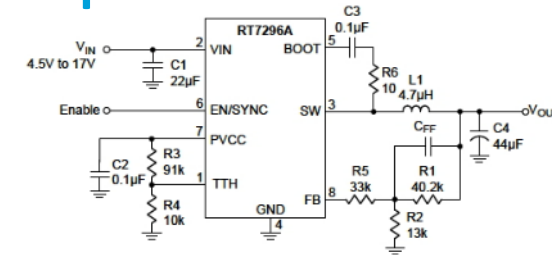
RT7296A

3A, 17V Current Mode Synchronous Step-Down Converter

Key Spec

	RT7296A
Status	Active
Vin (min) (V)	4.5
Vin (max) (V)	17
Number of Outputs	1
Vout (min) (V)	0.807
Vout (max) (V)	5
Output Adj. Method	Resistor
Iout (max) (A)	3
Current Limit (typ) (A)	5
Freq (typ) (kHz)	500

Simplified Circuit



Application

- Industrial and Commercial Low Power Systems
- Computer Peripherals
- LCD Monitors and TVs
- Set-top Boxes

Evaluation Board



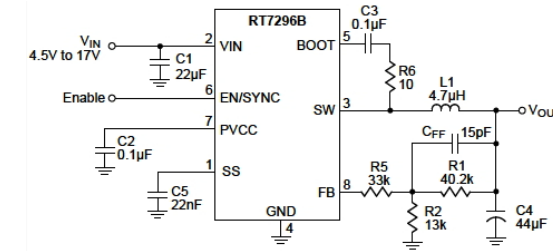
RT7296B

3A, 17V Current Mode Synchronous Step-Down Converter

Key Spec

	RT7296B
Status	Active
Vin (min) (V)	4.5
Vin (max) (V)	17
Number of Outputs	1
Vout (min) (V)	0.807
Vout (max) (V)	5
Output Adj. Method	Resistor
Iout (max) (A)	3
Current Limit (typ) (A)	5
Freq (typ) (kHz)	500

Simplified Circuit



Application

- Industrial and Commercial Low Power Systems
- Computer Peripherals
- LCD Monitors and TVs
- Set-top Boxes



More Info



WWW

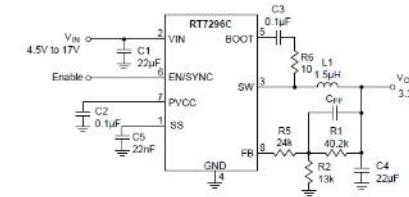
RT7296C

3A, 17V Current Mode Synchronous Step-Down Converter

Key Spec

	RT7296C
Status	Active
Vin (min) (V)	4.5
Vin (max) (V)	17
Number of Outputs	1
Vout (min) (V)	0.807
Vout (max) (V)	5
Output Adj. Method	Resistor
Iout (max) (A)	3
Current Limit (typ) (A)	5
Freq (typ) (kHz)	1400

Simplified Circuit



Note : All input and output capacitance in the suggested parameter mean the effective capacitance. The effective capacitance needs to consider any De-rating Effect like DC Bias.

Application

- Industrial and Commercial Low Power Systems
- Computer Peripherals
- LCD Monitors and TVs
- Set-top Boxes



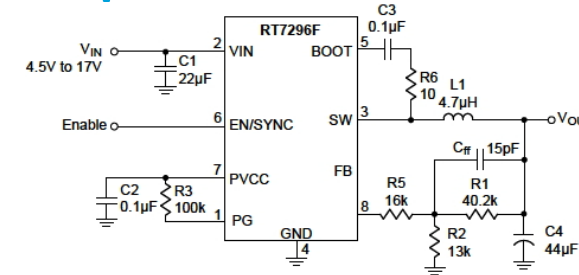
RT7296F

3A, 17V Current Mode Synchronous Step-Down Converter

Key Spec

	RT7296F
Status	Active
Vin (min) (V)	4.5
Vin (max) (V)	17
Number of Outputs	1
Vout (min) (V)	0.807
Vout (max) (V)	5
Output Adj. Method	Resistor
Iout (max) (A)	3
Current Limit (typ) (A)	5
Freq (typ) (kHz)	500

Simplified Circuit



Application

- Industrial and Commercial Low Power Systems
- Computer Peripherals
- LCD Monitors and TVs
- Set-top Boxes



More Info



WWW

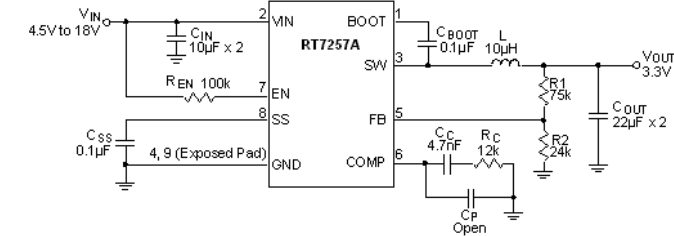
RT7257A

3A, 18V, 340kHz Synchronous Step-Down Converter

Key Spec

	RT7257A
Status	Active
Vin (min) (V)	4.5
Vin (max) (V)	18
Number of Outputs	1
Vout (min) (V)	0.8
Vout (max) (V)	15
Output Adj. Method	Resistor
Iout (max) (A)	3
Current Limit (typ) (A)	5.1
Freq (typ) (kHz)	340

Simplified Circuit



Application

- Wireless AP/Router
- Set-Top-Box
- Industrial and Commercial Low Power Systems
- LCD Monitors and TVs
- Green Electronics/Appliances
- Point of Load Regulation of High-Performance DSPs





More Info



WWW

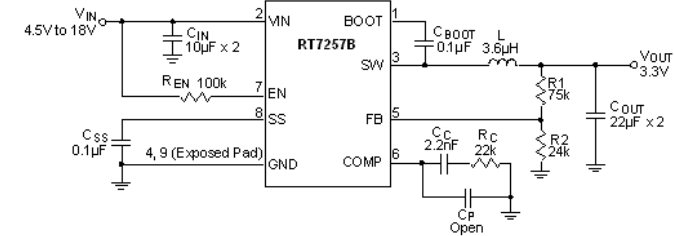
RT7257B

3A, 18V, 1.2MHz Synchronous Step-Down Converter

Key Spec

	RT7257B
Status	Active
Vin (min) (V)	4.5
Vin (max) (V)	18
Number of Outputs	1
Vout (min) (V)	0.8
Vout (max) (V)	12
Output Adj. Method	Resistor
Iout (max) (A)	3
Current Limit (typ) (A)	5.1
Freq (typ) (kHz)	1200

Simplified Circuit



Application

- Wireless AP/Router
- Set-Top-Box
- Industrial and Commercial Low Power Systems
- LCD Monitors and TVs
- Green Electronics/Appliances
- Point of Load Regulation of High-Performance DSPs





More Info



WWW

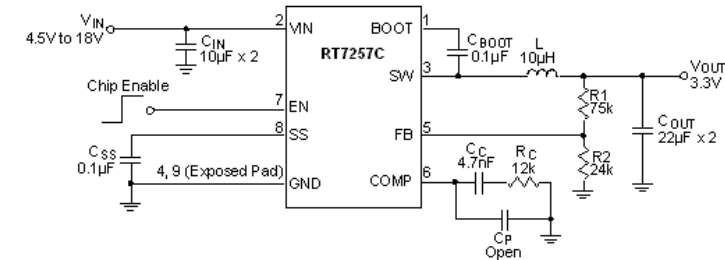
RT7257C

3A, 18V, 340kHz Synchronous Step-Down Converter

Key Spec

	RT7257C
Status	Active
Vin (min) (V)	4.5
Vin (max) (V)	18
Number of Outputs	1
Vout (min) (V)	0.8
Vout (max) (V)	15
Output Adj. Method	Resistor
Iout (max) (A)	3
Current Limit (typ) (A)	5.1
Freq (typ) (kHz)	340

Simplified Circuit



Application

- Wireless AP/Router
- Set-Top-Box
- Industrial and Commercial Low Power Systems
- LCD Monitors and TVs
- Green Electronics/Appliances
- Point of Load Regulation of High-Performance DSPs





More Info



WWW

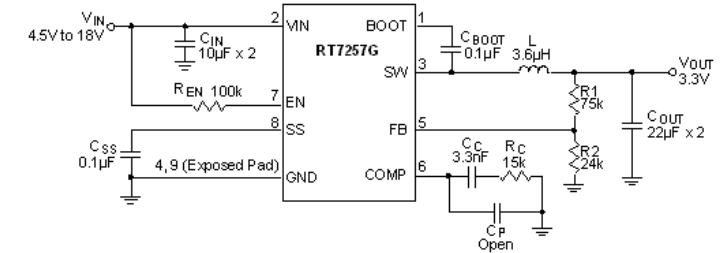
RT7257G

3A, 18V, 800kHz Synchronous Step-Down Converter

Key Spec

	RT7257G
Status	Active
Vin (min) (V)	4.5
Vin (max) (V)	18
Number of Outputs	1
Vout (min) (V)	0.8
Vout (max) (V)	12
Output Adj. Method	Resistor
Iout (max) (A)	3
Current Limit (typ) (A)	5.1
Freq (typ) (kHz)	800

Simplified Circuit



Application

- Wireless AP/Router
- Set-Top-Box
- Industrial and Commercial Low Power Systems
- LCD Monitors and TVs
- Green Electronics/Appliances
- Point of Load Regulation of High-Performance DSPs





More Info



WWW

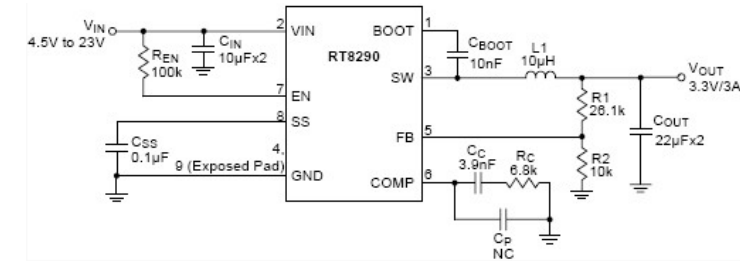
RT8290

3A, 23V, 340kHz Synchronous Step-Down Converter

Key Spec

	RT8290
Status	Active
Vin (min) (V)	4.5
Vin (max) (V)	23
Number of Outputs	1
Vout (min) (V)	0.925
Vout (max) (V)	20
Output Adj. Method	Resistor
Iout (max) (A)	3
Current Limit (typ) (A)	5.1
Freq (typ) (kHz)	340

Simplified Circuit



Application

- Industrial and Commercial Low Power Systems
- Computer Peripherals
- LCD Monitors and TVs
- Green Electronics/Appliances
- Point of Load Regulation of High-Performance DSPs, FPGAs and ASICs.





More Info



WWW

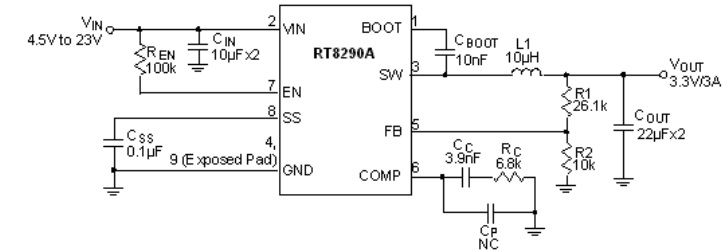
RT8290A

3A, 23V, 340kHz Synchronous Step-Down Converter

Key Spec

	RT8290A
Status	Active
Vin (min) (V)	4.5
Vin (max) (V)	23
Number of Outputs	1
Vout (min) (V)	0.925
Vout (max) (V)	20
Output Adj. Method	Resistor
Iout (max) (A)	3
Current Limit (typ) (A)	5.1
Freq (typ) (kHz)	340

Simplified Circuit



Application

- Industrial and Commercial Low Power Systems
- Computer Peripherals
- LCD Monitors and TVs
- Green Electronics/Appliances
- Point of Load Regulation of High-Performance DSPs, FPGAs and ASICs.





More Info



WWW

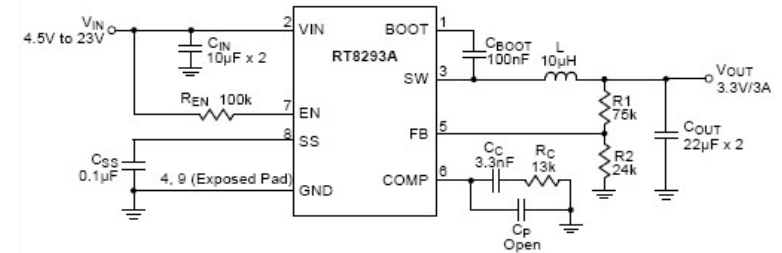
RT8293A

3A, 23V, 340kHz Synchronous Step-Down Converter

Key Spec

	RT8293A
Status	Active
Vin (min) (V)	4.5
Vin (max) (V)	23
Number of Outputs	1
Vout (min) (V)	0.8
Vout (max) (V)	20
Output Adj. Method	Resistor
Iout (max) (A)	3
Current Limit (typ) (A)	5.1
Freq (typ) (kHz)	340

Simplified Circuit



Application

- Wireless AP/Router
- Set-Top-Box
- Industrial and Commercial Low Power Systems
- LCD Monitors and TVs
- Green Electronics/Appliances
- Point of Load Regulation of High-Performance DSPs

Evaluation Board





More Info



WWW

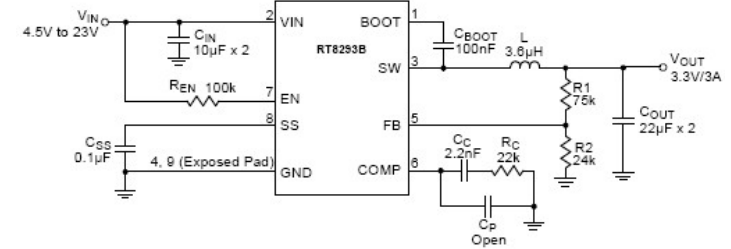
RT8293B

3A, 23V, 1.2MHz Synchronous Step-Down Converter

Key Spec

	RT8293B
Status	Active
Vin (min) (V)	4.5
Vin (max) (V)	23
Number of Outputs	1
Vout (min) (V)	0.8
Vout (max) (V)	15
Output Adj. Method	Resistor
Iout (max) (A)	3
Current Limit (typ) (A)	5.1
Freq (typ) (kHz)	1200

Simplified Circuit



Application

- Wireless AP/Router
- Set-Top-Box
- Industrial and Commercial Low Power Systems
- LCD Monitors and TVs
- Green Electronics/Appliances
- Point of Load Regulation of High-Performance DSPs





More Info



WWW

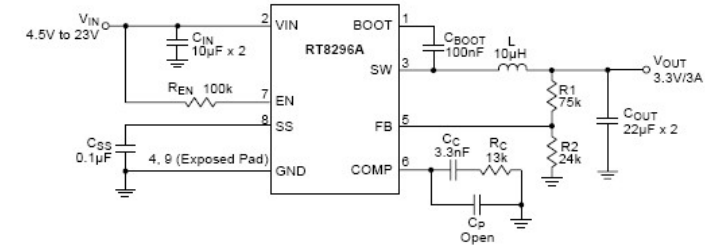
RT8296A

3A, 23V, 340kHz Synchronous Step-Down Converter

Key Spec

	RT8296A
Status	Active
Vin (min) (V)	4.5
Vin (max) (V)	23
Number of Outputs	1
Vout (min) (V)	0.8
Vout (max) (V)	20
Output Adj. Method	Resistor
Iout (max) (A)	3
Current Limit (typ) (A)	5.1
Freq (typ) (kHz)	340

Simplified Circuit



Application

- Industrial and Commercial Low Power Systems
- Set Top Box
- LCD Monitors and TVs
- Green Electronics/Appliances
- Point of Load Regulation of High Performance DSPs
- Wireless AP/Router

Evaluation Board





More Info



WWW

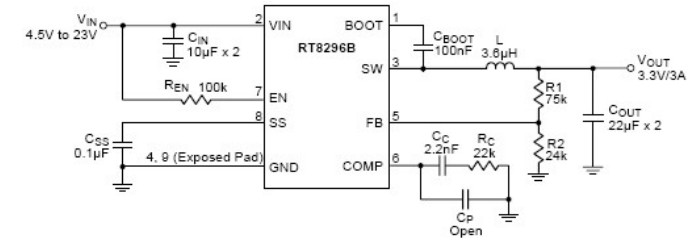
RT8296B

3A, 23V, 1.2MHz Synchronous Step-Down Converter

Key Spec

	RT8296B
Status	Active
Vin (min) (V)	4.5
Vin (max) (V)	23
Number of Outputs	1
Vout (min) (V)	0.8
Vout (max) (V)	15
Output Adj. Method	Resistor
Iout (max) (A)	3
Current Limit (typ) (A)	5.1
Freq (typ) (kHz)	1200

Simplified Circuit



Application

- External Storage Device
- Wireless AP/Router
- Set-Top-Box
- Industrial and Commercial Low Power Systems
- LCD Monitors and TVs
- Green Electronics/Appliances
- Point of Load Regulation of High-Performance DSPs





More Info



WWW

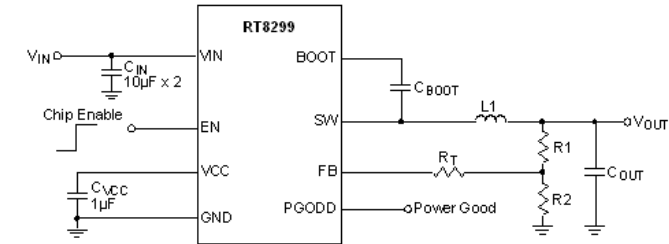
RT8299

3A, 24V, 500kHz Synchronous Step-Down Converter

Key Spec

	RT8299
Status	Active
Vin (min) (V)	3
Vin (max) (V)	24
Number of Outputs	1
Vout (min) (V)	0.8
Vout (max) (V)	15
Output Adj. Method	Resistor
Iout (max) (A)	3
Current Limit (typ) (A)	5.5
Freq (typ) (kHz)	500

Simplified Circuit



Application

- Industrial and Commercial Low Power Systems
- Computer Peripherals
- LCD Monitors and TVs
- Green Electronics/Appliances
- Point of Load Regulation for High Performance DSPs, FPGAs, and ASICs





More Info



WWW

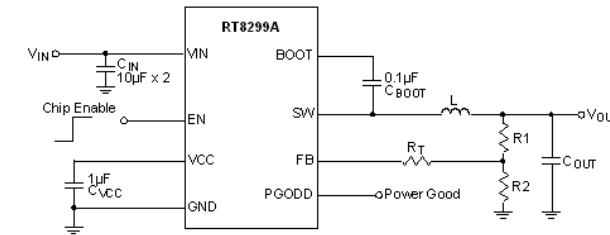
RT8299A

3A, 24V, 500kHz Synchronous Step-Down Converter

Key Spec

	RT8299A
Status	Active
Vin (min) (V)	3
Vin (max) (V)	24
Number of Outputs	1
Vout (min) (V)	0.8
Vout (max) (V)	15
Output Adj. Method	Resistor
Iout (max) (A)	3
Current Limit (typ) (A)	5.5
Freq (typ) (kHz)	500

Simplified Circuit



Application

- Industrial and Commercial Low Power Systems
- Computer Peripherals
- LCD Monitors and TVs
- Green Electronics/Appliances
- Point of Load Regulation for High Performance DSPs, FPGAs, and ASICs





More Info



WWW

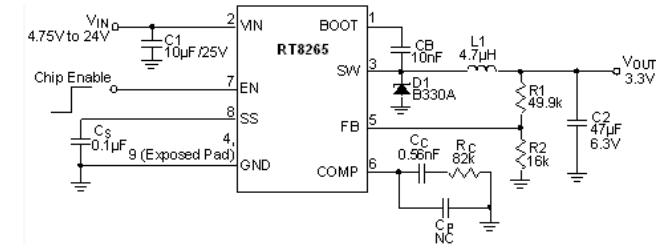
RT8265

3A, 24V, 1MHz Asynchronous Step-Down Converter

Key Spec

	RT8265
Status	Active
Vin (min) (V)	4.75
Vin (max) (V)	24
Number of Outputs	1
Vout (min) (V)	0.8
Vout (max) (V)	15
Output Adj. Method	Resistor
Iout (max) (A)	3
Current Limit (typ) (A)	5
Freq (typ) (kHz)	1000

Simplified Circuit



Application

- Distributed Power Systems
- Battery Charger
- Pre-Regulator for Linear Regulators





More Info



WWW

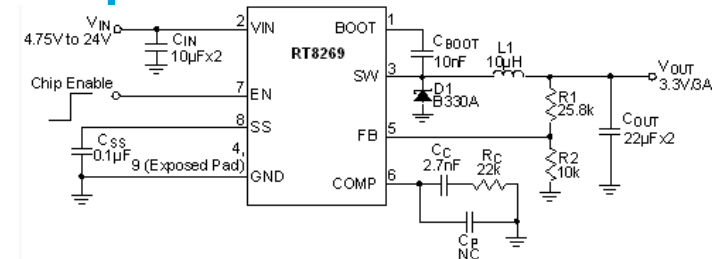
RT8269

3A, 24V, 400kHz Step-Down Converter

Key Spec

	RT8269
Status	Active
Vin (min) (V)	4.75
Vin (max) (V)	24
Number of Outputs	1
Vout (min) (V)	0.92
Vout (max) (V)	15
Output Adj. Method	Resistor
Iout (max) (A)	3
Current Limit (typ) (A)	4.4
Freq (typ) (kHz)	400

Simplified Circuit



Application

- Distributive Power Systems
- Battery Charger
- DSL Modems
- Pre-regulator for Linear Regulators





More Info



WWW

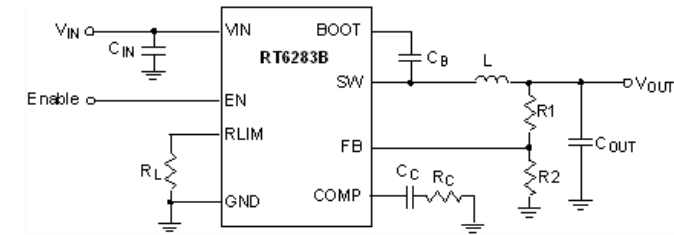
RT6283B

3A, 30V, 500kHz Synchronous Step-Down Converter

Key Spec

	RT6283B
Status	Active
Vin (min) (V)	4.5
Vin (max) (V)	30
Number of Outputs	1
Vout (min) (V)	0.8
Vout (max) (V)	24
Output Adj. Method	Resistor
Iout (max) (A)	3
Current Limit (typ) (A)	5.5
Freq (typ) (kHz)	500

Simplified Circuit



Application

- Distributed Power Systems
- Pre-Regulator for Linear Regulators
- Notebook Computers
- Point of Load Regulator in Distributed Power System
- Digital Set-top Boxes
- Personal Digital Recorders
- Broadband Communications
- Flat Panel TVs and Monitors
- Vehicle Electronics





More Info



WWW

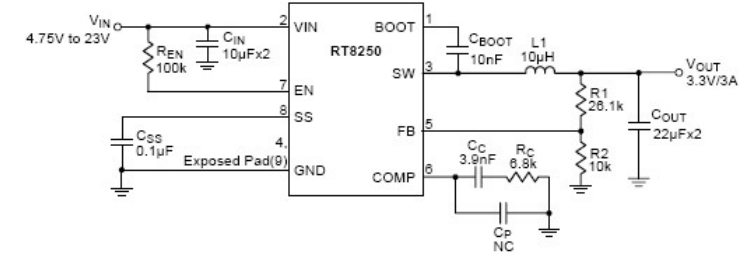
RT8250

3A, 23V, 340kHz Synchronous Step-Down Converter

Key Spec

	RT8250
Status	Active
Vin (min) (V)	4.5
Vin (max) (V)	23
Number of Outputs	1
Vout (min) (V)	0.925
Vout (max) (V)	20
Output Adj. Method	Resistor
Iout (max) (A)	3
Current Limit (typ) (A)	5.5
Freq (typ) (kHz)	340

Simplified Circuit



Application

- Industrial and Commercial Low Power Systems
- Computer Peripherals
- LCD Monitors and TVs
- Green Electronics/Appliances
- Point of Load Regulation of High-Performance DSPs, FPGAs and ASICs.



Buck Converter $7V \leq V_{in} < 24V$

3A (ACOT)

RT6224A/B/D

$V_{in}=18V$,
PSM/FPWM

RT6263A/B

$V_{in}=17V$
PSM/FPWM

RT6273A/B

$V_{in}=17V$
PSM/FPWM

RT6373A/B

$V_{in}=17V$
PSM/FPWM

RT6353A/B

$V_{in}=17V$
PSM/FPWM

RT6217A/B/E

$V_{in}=24V$
PSM/FPWM/PFP

3A (ACOT)

RT6253A/B

$V_{in}=17V$,
PSM/FPWM

RT6214A/B

$V_{in}=18V$,
PSM/FPWM

RT7257A/G

$V_{in}=18V$

RT7275/6/7/8

$V_{in}=18V$
FPWM/PSM

RT2859A/B

RT2853A/B

$V_{in}=18V$,
PSM/FPWM

3.5A (ACOT)

RT7295A

$V_{in}=18V$, PSM

RT7295C

$V_{in}=18V$,
FPWM

RT6274C

$V_{in}=18V$, PSM

RT6274D

$V_{in}=18V$,
FPWM

4A (ACOT)

RT7231/2/3/4

$V_{in}=18V$,
FPWM/PSM

RT6254A/B

$V_{in}=18V$,
PSM/FPWM

RT6264A/B

$V_{in}=18V$,
PSM/FPWM

RT6219A

$V_{in}=23V$
PSM



More Info



WWW

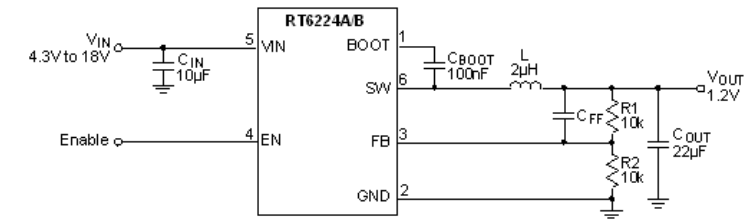
RT6224A/RT6224B

3A, 18V, 500kHz ACOT[®] Synchronous Step-Down Converter

Key Spec

	RT6224A	RT6224B
Status	Active	Active
V _{in} (min) (V)	4.3	4.3
V _{in} (max) (V)	18	18
Number of Outputs	1	1
V _{out} (min) (V)	0.6	0.6
V _{out} (max) (V)	5	5
Output Adj. Method	Resistor	Resistor
I _{out} (max) (A)	3	3
Current Limit (typ) (A)	4.4	4.4
Freq (typ) (kHz)	500	500

Simplified Circuit



Application

- Set Top Box
- Portable TV
- Access Point Router
- DSL Modem
- LCD TV





More Info



WWW

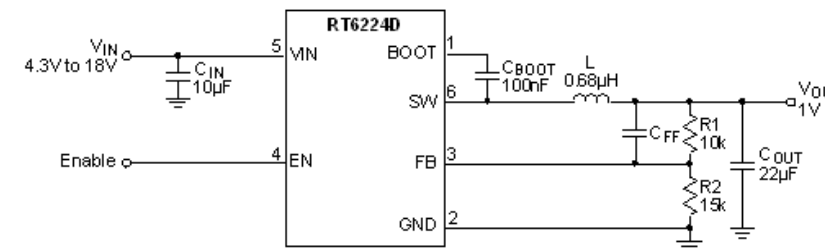
RT6224D

3A, 18V, 1.4MHz ACOT[®] Synchronous Step-Down Converter

Key Spec

	RT6224D
Status	Active
Vin (min) (V)	4.3
Vin (max) (V)	18
Number of Outputs	1
Vout (min) (V)	0.6
Vout (max) (V)	5
Output Adj. Method	Resistor
Iout (max) (A)	3
Current Limit (typ) (A)	3.9
Freq (typ) (kHz)	1400

Simplified Circuit



Application

- Set Top Box
- Portable TV
- Access Point Router
- DSL Modem
- LCD TV





More Info



WWW

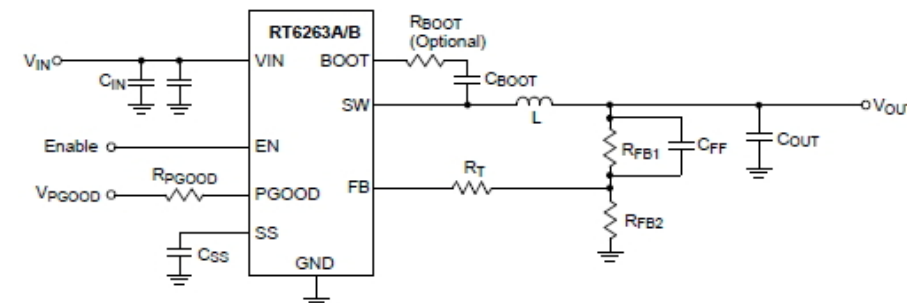
RT6263A/RT6263B

17V Input, 3A, ACOT[®] Buck Converter with Both FETs OC Protection

Key Spec

	RT6263A	RT6263B
Status	Active	Active
Vin (min) (V)	4.5	4.5
Vin (max) (V)	17	17
Number of Outputs	1	1
Vout (min) (V)	0.765	0.765
Vout (max) (V)	7	7
Output Adj. Method	Resistor	Resistor
Iout (max) (A)	3	3
Current Limit (typ) (A)	4.2	4.2
Freq (typ) (kHz)	650	650

Simplified Circuit



Application

- Set-Top Boxes
- LCD TVs
- Home Networking Devices
- Surveillance
- General Purpose





More Info



WWW

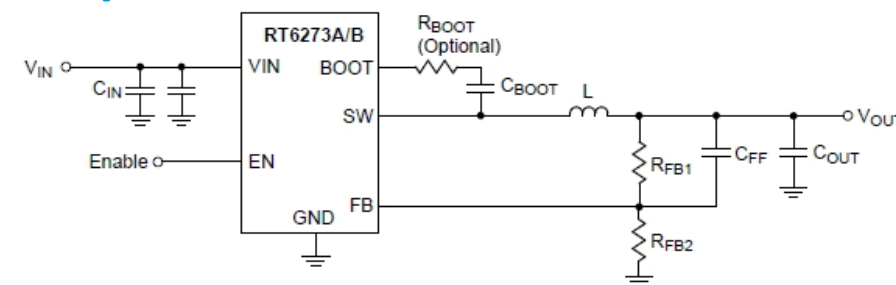
RT6273A/RT6273B

17V Input, 3A, ACOT[®] Buck Converter with Both FETs OC Protection

Key Spec

	RT6273A	RT6273B
Status	Active	Active
V _{in} (min) (V)	4.5	4.5
V _{in} (max) (V)	17	17
Number of Outputs	1	1
V _{out} (min) (V)	0.765	0.765
V _{out} (max) (V)	7	7
Output Adj. Method	Resistor	Resistor
I _{out} (max) (A)	3	3
Current Limit (typ) (A)	4.2	4.2
Freq (typ) (kHz)	1400	1400

Simplified Circuit



Application

- Set-Top Boxes
- LCD TVs
- Home Networking Devices
- Surveillance
- General Purpose





More Info



WWW

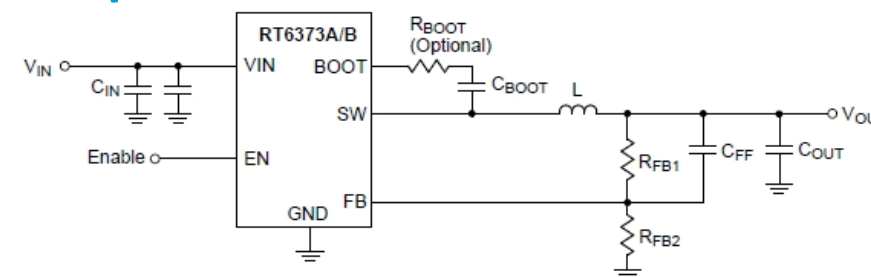
RT6373A/RT6373B

17V Input, 3A, ACOT[®] Buck Converter with Both FETs OC Protection

Key Spec

	RT6373A	RT6373B
Status	Active	Active
Vin (min) (V)	4.5	4.5
Vin (max) (V)	17	17
Number of Outputs	1	1
Vout (min) (V)	0.6	0.6
Vout (max) (V)	7	7
Output Adj. Method	Fixed	Fixed
Iout (max) (A)	3	3
Current Limit (typ) (A)	4.2	4.2
Freq (typ) (kHz)	1400	1400

Simplified Circuit



Application

- Set-Top Boxes
- LCD TVs
- Home Networking Devices
- Surveillance
- General Purpose





More Info



WWW

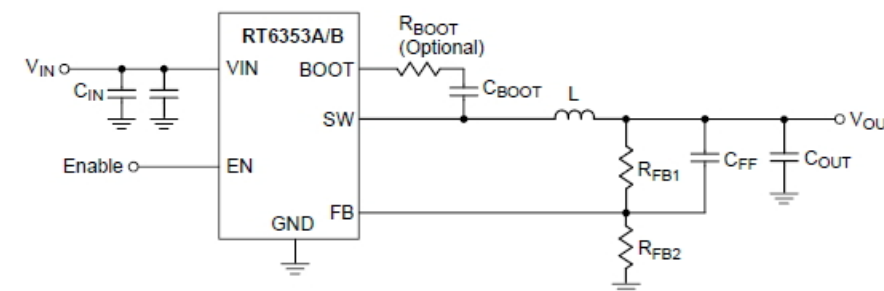
RT6353A/RT6353B

17V Input, 3A, ACOT[®] Buck Converter with Both FETs OC Protection

Key Spec

	RT6353A	RT6353B
Status	Active	Active
Vin (min) (V)	4.5	4.5
Vin (max) (V)	17	17
Number of Outputs	1	1
Vout (min) (V)	0.6	0.6
Vout (max) (V)	7	7
Output Adj. Method	Resistor	Resistor
Iout (max) (A)	3	3
Current Limit (typ) (A)	4.2	4.2
Freq (typ) (kHz)	580	580

Simplified Circuit



Application

- Set-Top Boxes
- LCD TVs
- Home Networking Devices
- Surveillance
- General Purpose





More Info



WWW

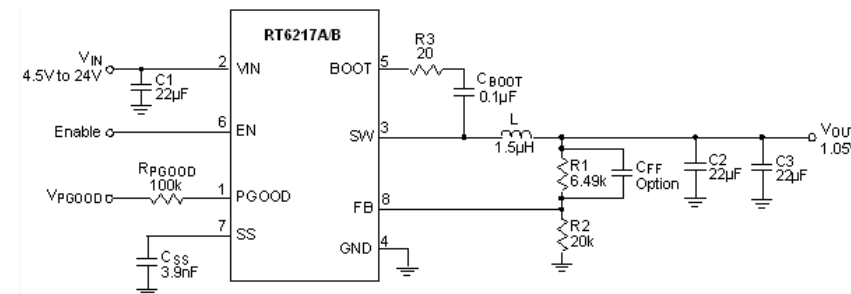
RT6217A/RT6217B

24V, 3A, 500kHz, ACOT™ Step-Down Converter in 8 Pin TSOT-23

Key Spec

	RT6217A	RT6217B
Status	Active	Active
Vin (min) (V)	4.5	4.5
Vin (max) (V)	24	24
Number of Outputs	1	1
Vout (min) (V)	0.791	0.791
Vout (max) (V)	6	6
Output Adj. Method	Resistor	Resistor
Iout (max) (A)	3	3
Current Limit (typ) (A)	4.2	4.2
Freq (typ) (kHz)	500	500

Simplified Circuit



Application

- Set Top Box
- Portable TV
- Access Point Router
- DSL Modem
- LCD TV





More Info



WWW

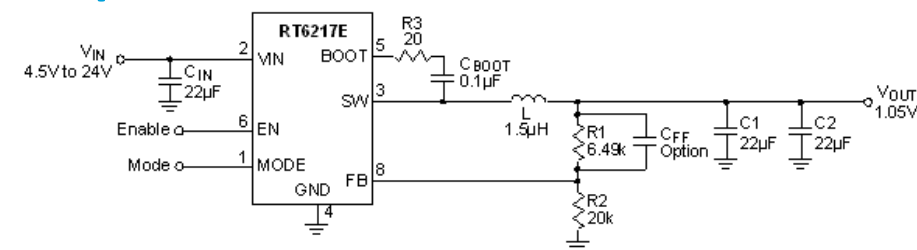
RT6217E

24V, 3A, 500kHz, ACOT™ Step-Down Converter in 8 Pin TSOT-23

Key Spec

	RT6217E
Status	Active
Vin (min) (V)	4.5
Vin (max) (V)	24
Number of Outputs	1
Vout (min) (V)	0.791
Vout (max) (V)	6
Output Adj. Method	Resistor
Iout (max) (A)	3
Current Limit (typ) (A)	4.2
Freq (typ) (kHz)	500

Simplified Circuit



Application

- Set Top Box
- Portable TV
- Access Point Router
- DSL Modem
- LCD TV





More Info



WWW

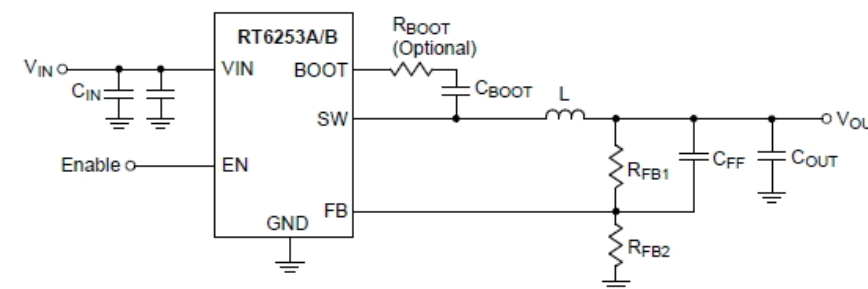
RT6253A/RT6253B

17V Input, 3A, ACOT[®] Buck Converter with Both FETs OC Protection

Key Spec

	RT6253A	RT6253B
Status	Active	Active
Vin (min) (V)	4.5	4.5
Vin (max) (V)	17	17
Number of Outputs	1	1
Vout (min) (V)	0.765;0.807	0.765;0.807
Vout (max) (V)	7	7
Output Adj. Method	Resistor	Resistor
Iout (max) (A)	3	3
Current Limit (typ) (A)	4.2;4.4	4.2;4.4
Freq (typ) (kHz)	580	580

Simplified Circuit



Application

- Set-Top Boxes
- LCD TVs
- Home Networking Devices
- Surveillance
- General Purpose





More Info



WWW

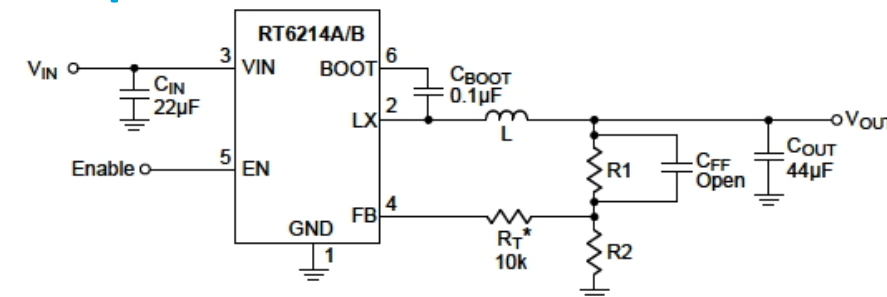
RT6214A/RT6214B

18V, 3A, ACOT™ Step-Down Converter in 6 and 8 Pin TSOT-23

Key Spec

	RT6214A	RT6214B
Status	Active	Active
Vin (min) (V)	4.5	4.5
Vin (max) (V)	18	18
Number of Outputs	1	1
Vout (min) (V)	0.765;0.8	0.765;0.8
Vout (max) (V)	6.5	6.5
Output Adj. Method	Resistor	Resistor
Iout (max) (A)	3	3
Current Limit (typ) (A)	4.5	4.5
Freq (typ) (kHz)	500;650	500;650

Simplified Circuit



Application

- Set-Top Boxes
- LCD TVs
- Home Networking Devices
- Surveillance
- General Purpose





More Info



WWW

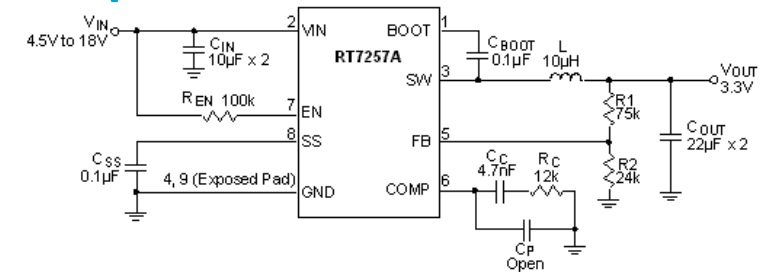
RT7257A

3A, 18V, 340kHz Synchronous Step-Down Converter

Key Spec

	RT7257A
Status	Active
Vin (min) (V)	4.5
Vin (max) (V)	18
Number of Outputs	1
Vout (min) (V)	0.8
Vout (max) (V)	15
Output Adj. Method	Resistor
Iout (max) (A)	3
Current Limit (typ) (A)	5.1
Freq (typ) (kHz)	340

Simplified Circuit



Application

- Wireless AP/Router
- Set-Top-Box
- Industrial and Commercial Low Power Systems
- LCD Monitors and TVs
- Green Electronics/Appliances
- Point of Load Regulation of High-Performance DSPs





More Info



WWW

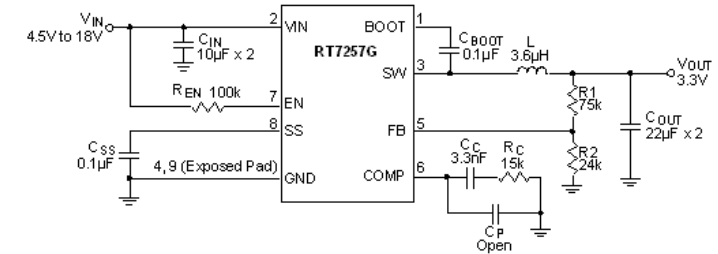
RT7257G

3A, 18V, 800kHz Synchronous Step-Down Converter

Key Spec

	RT7257G
Status	Active
Vin (min) (V)	4.5
Vin (max) (V)	18
Number of Outputs	1
Vout (min) (V)	0.8
Vout (max) (V)	12
Output Adj. Method	Resistor
Iout (max) (A)	3
Current Limit (typ) (A)	5.1
Freq (typ) (kHz)	800

Simplified Circuit



Application

- Wireless AP/Router
- Set-Top-Box
- Industrial and Commercial Low Power Systems
- LCD Monitors and TVs
- Green Electronics/Appliances
- Point of Load Regulation of High-Performance DSPs





More Info



WWW

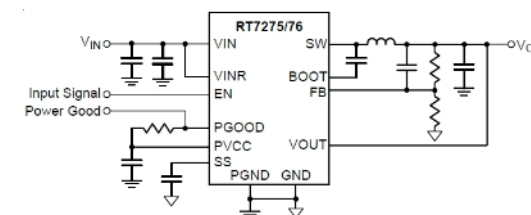
RT7275/RT7276

3A, 18V, 700kHz ACOT[®] Synchronous Step-Down Converter

Key Spec

	RT7275	RT7276
Status	Active	Active
V _{in} (min) (V)	4.5	4.5
V _{in} (max) (V)	18	18
Number of Outputs	1	1
V _{out} (min) (V)	0.765	0.765
V _{out} (max) (V)	8	8
Output Adj. Method	Resistor	Resistor
I _{out} (max) (A)	3	3
Current Limit (typ) (A)	4.5	4.5
Freq (typ) (kHz)	700	700

Simplified Circuit



Application

- Industrial and Commercial Low Power Systems
- Computer Peripherals
- LCD Monitors and TVs
- Green Electronics/Appliances
- Point of Load Regulation for High-Performance DSPs, FPGAs, and ASICs
- Not Recommended for Sink/Source Applications

Evaluation Board



EVB_RT7275GQW



EVB_RT7276GQW





More Info



WWW

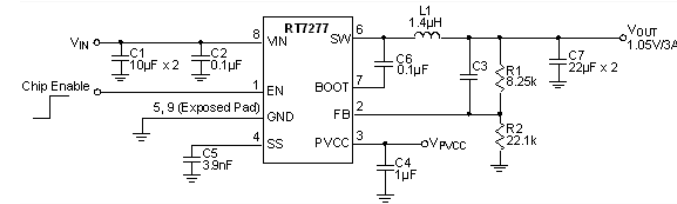
RT7277

3A, 18V, 700kHz ACOT[®] Synchronous Step-Down Converter

Key Spec

	RT7277
Status	Active
Vin (min) (V)	4.5
Vin (max) (V)	18
Number of Outputs	1
Vout (min) (V)	0.765
Vout (max) (V)	8
Output Adj. Method	Resistor
Iout (max) (A)	3
Current Limit (typ) (A)	4.1
Freq (typ) (kHz)	700

Simplified Circuit



Application

- Industrial and Commercial Low Power Systems
- Computer Peripherals
- LCD Monitors and TVs
- Green Electronics/Appliances
- Point of Load Regulation for High-Performance DSPs, FPGAs, and ASICs





More Info



WWW

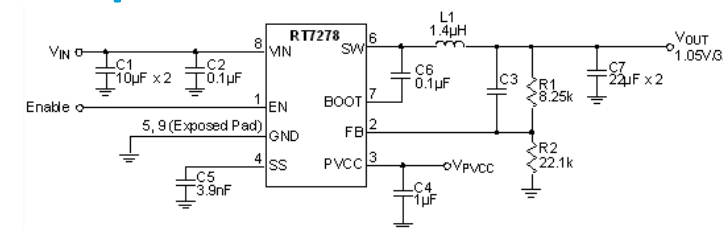
RT7278

3A, 18V, 700kHz ACOT[®] Synchronous Step-Down Converter

Key Spec

	RT7278
Status	Active
Vin (min) (V)	4.5
Vin (max) (V)	18
Number of Outputs	1
Vout (min) (V)	0.765
Vout (max) (V)	8
Output Adj. Method	Resistor
Iout (max) (A)	3
Current Limit (typ) (A)	4.1
Freq (typ) (kHz)	700

Simplified Circuit



Application

- Industrial and Commercial Low Power Systems
- Computer Peripherals
- LCD Monitors and TVs
- Green Electronics/Appliances
- Point of Load Regulation for High-Performance DSPs, FPGAs, and ASICs





More Info



WWW

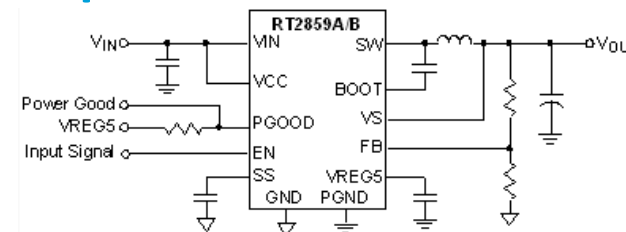
RT2859A/RT2859B

3A, 18V, 650kHz, ACOT[®] Synchronous Step-Down Converter

Key Spec

	RT2859A	RT2859B
Status	Active	Active
V _{in} (min) (V)	4.5	4.5
V _{in} (max) (V)	18	18
Number of Outputs	1	1
V _{out} (min) (V)	0.765	0.765
V _{out} (max) (V)	7	7
Output Adj. Method	Resistor	Resistor
I _{out} (max) (A)	3	3
Current Limit (typ) (A)	5	5
Freq (typ) (kHz)	650	650

Simplified Circuit



Application

- Industrial and Commercial Low Power Systems
- Computer Peripherals
- LCD Monitors and TVs
- Green Electronics/Appliances
- Point of Load Regulation for High-Performance DSPs, FPGAs, and ASICs

Evaluation Board





More Info



WWW

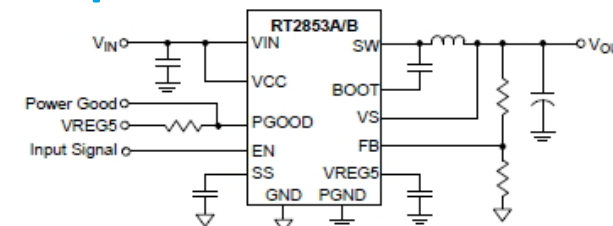
RT2853A/RT2853B

3A, 18V, 650kHz, ACOT[®] Synchronous Step-Down Converter

Key Spec

	RT2853A	RT2853B
Status	Active	Active
V _{in} (min) (V)	4.5	4.5
V _{in} (max) (V)	18	18
Number of Outputs	1	1
V _{out} (min) (V)	0.765	0.765
V _{out} (max) (V)	7	7
Output Adj. Method	Resistor	Resistor
I _{out} (max) (A)	3	3
Current Limit (typ) (A)	4.5	4.5
Freq (typ) (kHz)	650	650

Simplified Circuit



Application

- Industrial and Commercial Low Power Systems
- Computer Peripherals
- LCD Monitors and TVs
- Point of Load Regulation for High-Performance DSPs, FPGAs, and ASICs

Evaluation Board





More Info



WWW

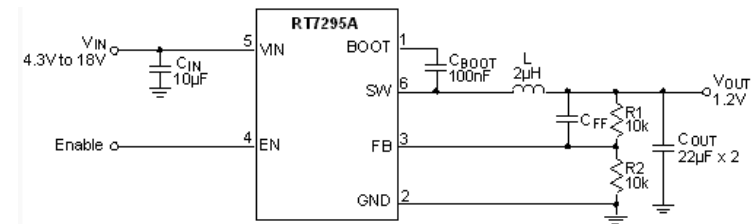
RT7295A

3.5A, 18V, 500kHz ACOT[®] Synchronous Step-Down Converter

Key Spec

	RT7295A
Status	Active
V _{in} (min) (V)	4.3
V _{in} (max) (V)	18
Number of Outputs	1
V _{out} (min) (V)	0.6
V _{out} (max) (V)	8
Output Adj. Method	Resistor
I _{out} (max) (A)	3.5
Current Limit (typ) (A)	4.4
Freq (typ) (kHz)	500

Simplified Circuit



Application

- Industrial and Commercial Low Power Systems
- Computer Peripherals
- LCD Monitors and TVs
- Green Electronics/Appliances
- Point of Load Regulation for High-Performance DSPs, FPGAs, and ASICs





More Info



WWW

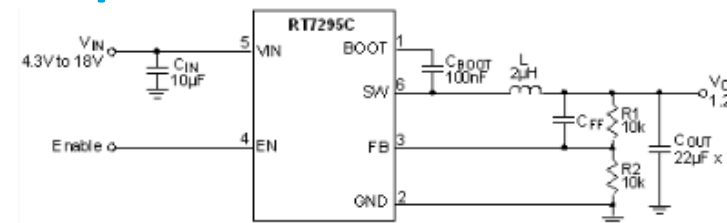
RT7295C

3.5A, 18V, 500kHz ACOT[®] Synchronous Step-Down Converter

Key Spec

	RT7295C
Status	Active
Vin (min) (V)	4.3
Vin (max) (V)	18
Number of Outputs	1
Vout (min) (V)	0.6
Vout (max) (V)	8
Output Adj. Method	Resistor
Iout (max) (A)	3.5
Current Limit (typ) (A)	4.4
Freq (typ) (kHz)	500

Simplified Circuit



Application

- Industrial and Commercial Low Power Systems
- Computer Peripherals
- LCD Monitors and TVs
- Green Electronics/Appliances
- Point of Load Regulation for High-Performance DSPs, FPGAs, and ASICs

Evaluation Board



Richtek Technology Corporation



BACK



More Info



WWW

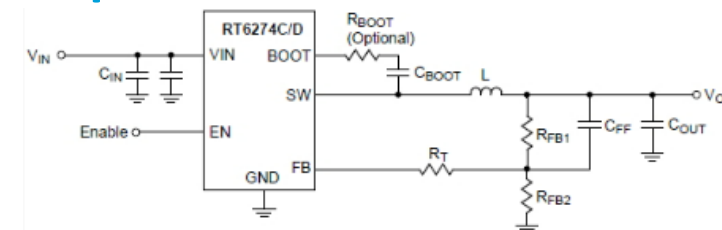
RT6274C/RT6274D

18V Input, 3.5A, ACOT[®] Buck Converter with Both FETs OC Protection

Key Spec

	RT6274C	RT6274D
Status	Active	Active
V _{in} (min) (V)	4.5	4.5
V _{in} (max) (V)	18	18
Number of Outputs	1	1
V _{out} (min) (V)	0.765	0.765
V _{out} (max) (V)	7	7
Output Adj. Method	Resistor	Resistor
I _{out} (max) (A)	3.5	3.5
Current Limit (typ) (A)	5.3	5.3
Freq (typ) (kHz)	1200	1200

Simplified Circuit



Application

- Set-Top Boxes
- LCD TVs
- Home Networking Devices
- Surveillance
- General Purpose





More Info



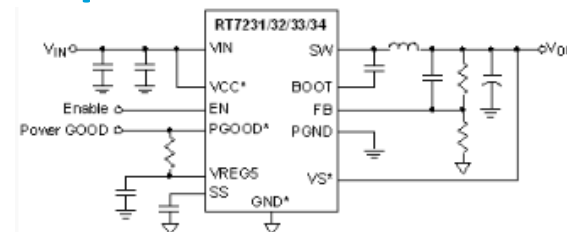
WWW

RT7231/RT7232/RT7233/RT7234 4A, 18V, 650kHz, ACOT[®] Synchronous Step-Down Converter

Key Spec

	RT7231	RT7232	RT7233	RT7234
Status	Active	Active	Active	Active
Vin (min) (V)	4.5	4.5	4.5	4.5
Vin (max) (V)	18	18	18	18
Number of Outputs	1	1	1	1
Vout (min) (V)	0.765	0.765	0.765	0.765
Vout (max) (V)	8	8	8	8
Output Adj. Method	Resistor	Resistor	Resistor	Resistor
Iout (max) (A)	4	4	4	4
Current Limit (typ) (A)	5.85	5.85	5.85	5.85
Freq (typ) (kHz)	650	650	650	650

Simplified Circuit



Application

- Industrial and Commercial Low Power Systems
- Computer Peripherals
- LCD Monitors and TVs
- Green Electronics/Appliances
- Point of Load Regulation for High-Performance DSPs, FPGAs, and ASICs

Evaluation Board



EVB_RT7231GQW



EVB_RT7232GQW

Richtek Technology Corporation



BACK



More Info



WWW

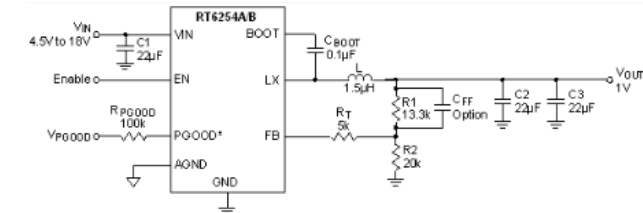
RT6254A/RT6254B

4A, 18V, 500kHz, ACOT[®] Step-Down Converter

Key Spec

	RT6254A	RT6254B
Status	Active	Active
Vin (min) (V)	4.5	4.5
Vin (max) (V)	18	18
Number of Outputs	1	1
Vout (min) (V)	0.6	0.6
Vout (max) (V)	5	5
Output Adj. Method	Resistor	Resistor
Iout (max) (A)	4	4
Current Limit (typ) (A)	6.2	6.2
Freq (typ) (kHz)	500	500

Simplified Circuit



*: PG000 pin is for TSOT23-8 (F C) package.

Application

- Set Top Box
- Portable TV
- Access Point Router
- DSL Modem
- LCD TV

Evaluation Board





More Info



WWW

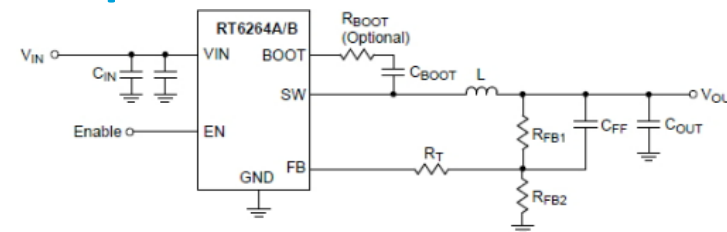
RT6264A/RT6264B

18V Input, 4A, ACOT[®] Buck Converter with Both FETs OC Protection

Key Spec

	RT6264A	RT6264B
Status	Active	Active
V _{in} (min) (V)	4.5	4.5
V _{in} (max) (V)	18	18
Number of Outputs	1	1
V _{out} (min) (V)	0.765	0.765
V _{out} (max) (V)	7	7
Output Adj. Method	Resistor	Resistor
I _{out} (max) (A)	4	4
Current Limit (typ) (A)	5.3	5.3
Freq (typ) (kHz)	650	650

Simplified Circuit



Application

- Set-Top Boxes
- LCD TVs
- Home Networking Devices
- Surveillance
- General Purpose





More Info



WWW

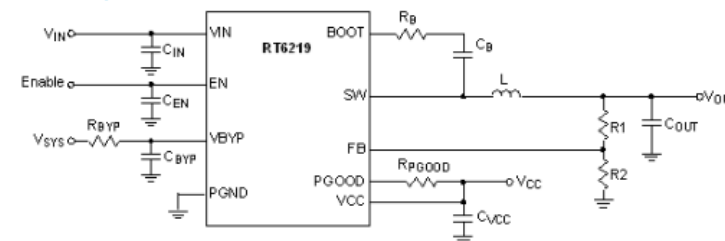
RT6219

4A, 23V, 500kHz, ACOT[®] Synchronous Buck Converter

Key Spec

	RT6219A	RT6219B
Status	Active	Active
Vin (min) (V)	5	5
Vin (max) (V)	23	23
Number of Outputs	1	1
Vout (min) (V)	0.6	0.6
Vout (max) (V)	5	5
Output Adj. Method	Resistor	Resistor
Iout (max) (A)	4	4
Current Limit (typ) (A)	6	6
Freq (typ) (kHz)	500	500

Simplified Circuit



Application

- Laptop Computers
- Tablet PCs
- Networking Systems
- Servers
- Personal Video Recorders
- Flat Panel Television and Monitors
- Distributed Power Systems

Evaluation Board



Buck Converter $7V \leq V_{in} < 24V$

4A (CM)

RT7264E

Vin=21V, PSM

RT8287A

Vin=21V, FPWM

RT8288A

Vin=21V, FPWM

5A (ACOT)

RT7235/36

Vin=18V,
FPWM/PSM

RT7239/40

Vin=18V,
FPWM/PSM

RT6255A/B

Vin=18V,
PSM/FPWM

RT6203B

Vin=18V
FPWM

RT6206A/B

Vin=18V, 5.5A,
FPWM/PSM

5A (CM)

RT6285

Vin=30V,
FPWM

RT8251

Vin=24V,
FPWM

RT8289

Vin=32V,
FPWM

6A (ACOT)

RT6257A/B

Vin=18V, PSM

RT6236A/B

Vin=18V,
PSM/FPWM

RT6203E/F

Vin=18V, PSM

RT6276A/B

Vin=23V
PSM/FPWM

**RT6220
A/B/DH**

Vin=23V
PSM/FPWM



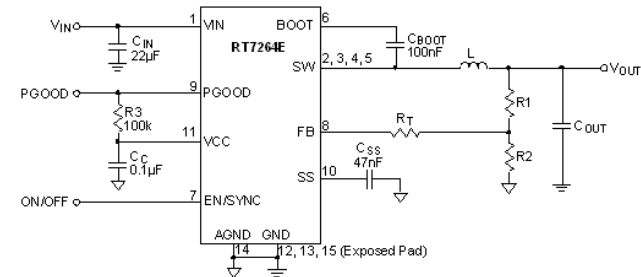
RT7264E

4A, 21V, 500kHz Synchronous Step-Down Converter

Key Spec

	RT7264E
Status	Active
Vin (min) (V)	4.5
Vin (max) (V)	21
Number of Outputs	1
Vout (min) (V)	0.808
Vout (max) (V)	15
Output Adj. Method	Resistor
Iout (max) (A)	4
Current Limit (typ) (A)	7.5
Freq (typ) (kHz)	500

Simplified Circuit



Application

- Distributive Power Systems
- Battery Charger
- DSL Modems
- Pre-Regulator for Linear Regulators

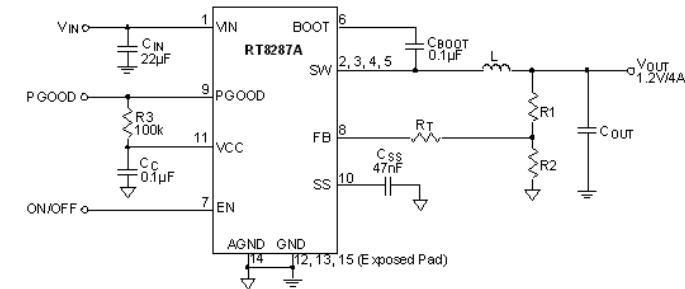
RT8287A

4A, 21V 500kHz Synchronous Step-Down Converter

Key Spec

	RT8287A
Status	Active
Vin (min) (V)	4.5
Vin (max) (V)	21
Number of Outputs	1
Vout (min) (V)	0.808
Vout (max) (V)	15
Output Adj. Method	Resistor
Iout (max) (A)	4
Current Limit (typ) (A)	7
Freq (typ) (kHz)	500

Simplified Circuit



Application

- Distributive Power Systems
- Battery Charger
- DSL Modems
- Pre-Regulator for Linear Regulators

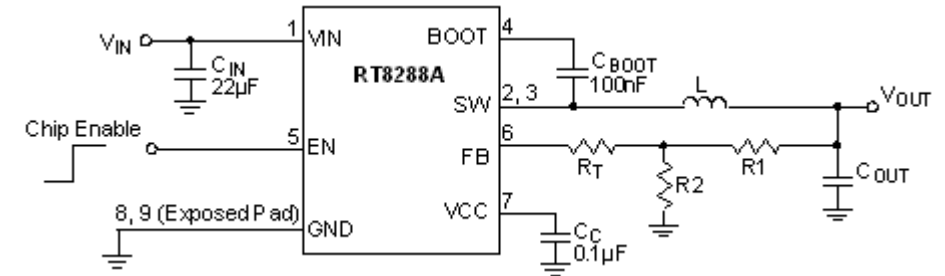
RT8288A

4A, 21V 500kHz Synchronous Step-Down Converter

Key Spec

	RT8288A
Status	Active
Vin (min) (V)	4.5
Vin (max) (V)	21
Number of Outputs	1
Vout (min) (V)	0.808
Vout (max) (V)	15
Output Adj. Method	Resistor
Iout (max) (A)	4
Current Limit (typ) (A)	7
Freq (typ) (kHz)	500

Simplified Circuit



Application

- Distributive Power Systems
- Battery Charger
- DSL Modems
- Pre-Regulator for Linear Regulators



More Info



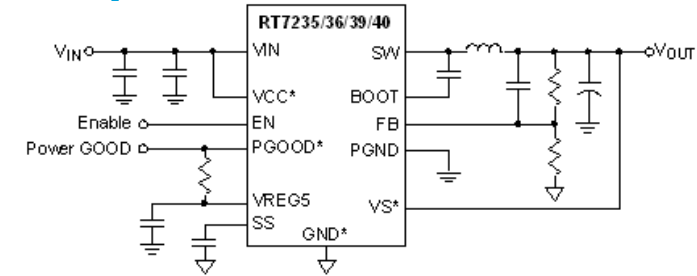
WWW

RT7235/RT7236/RT7239/RT7240 5A, 18V, 650kHz, ACOT[®] Synchronous Step-Down Converter

Key Spec

	RT7235	RT7236	RT7239	RT7240
Status	Active	Active	Active	Active
Vin (min) (V)	4.5	4.5	4.5	4.5
Vin (max) (V)	18	18	18	18
Number of Outputs	1	1	1	1
Vout (min) (V)	0.765	0.765	0.765	0.765
Vout (max) (V)	8	8	8	8
Output Adj. Method	Resistor	Resistor	Resistor	Resistor
Iout (max) (A)	5	5	5	5
Current Limit (typ) (A)	6.85	6.85	6.85	6.85
Freq (typ) (kHz)	650	650	650	650

Simplified Circuit



Application

- Industrial and Commercial Low Power Systems
- Computer Peripherals
- LCD Monitors and TVs
- Green Electronics/Appliances
- Point of Load Regulation for High-Performance DSPs, FPGAs, and ASICs

Evaluation Board



EVB_RT7235GQW



EVB_RT7236GQW



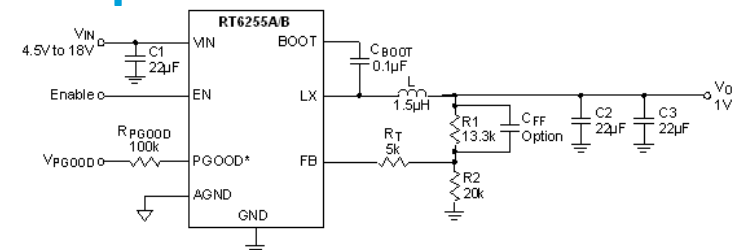
RT6255A/RT6255B

5A, 18V, 500kHz, ACOT™ Step-Down Converter

Key Spec

	RT6255A	RT6255B
Status	Active	Active
Vin (min) (V)	4.5	4.5
Vin (max) (V)	18	18
Number of Outputs	1	1
Vout (min) (V)	0.6	0.6
Vout (max) (V)	5	5
Output Adj. Method	Resistor	Resistor
Iout (max) (A)	5	5
Current Limit (typ) (A)	7.25	7.25
Freq (typ) (kHz)	500	500

Simplified Circuit



*: PGOOD pin is for (RT6255AHGJ8F/RT6255BHJ8F)

Application

- Set Top Box
- Portable TV
- Access Point Router
- DSL Modem
- LCD TV

Evaluation Board



EVB_RT6255AHGJ6F



EVB_RT6255BHJ8F

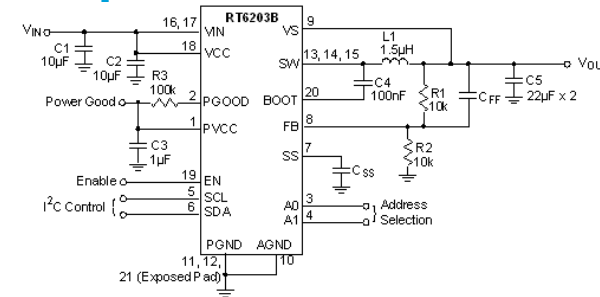
RT6203B

5A, 18V, 700kHz ACOT™ Synchronous Step-Down Converter with VID Control

Key Spec

	RT6203B
Status	Active
Vin (min) (V)	4.5
Vin (max) (V)	18
Number of Outputs	1
Vout (min) (V)	0.72
Vout (max) (V)	8
Output Adj. Method	Digital; Resistor
Iout (max) (A)	5
Current Limit (typ) (A)	7
Freq (typ) (kHz)	700

Simplified Circuit



Application

- Industrial and Commercial Low Power Systems
- Computer Peripherals
- LCD Monitors and TVs
- Green Electronics/Appliances
- Point of Load Regulation for High-Performance DSPs, FPGAs, and ASICs

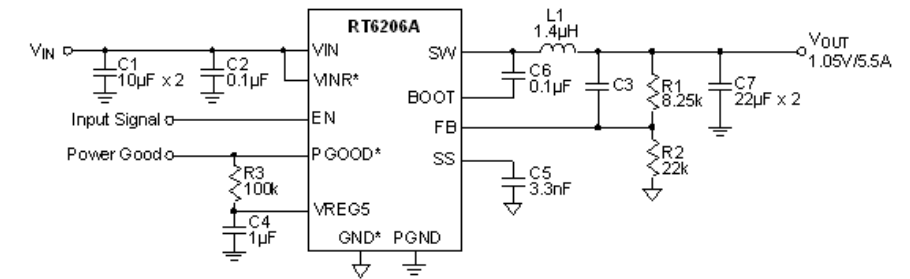
RT6206A

5.5A, 18V, 650kHz, ACOT[®] Synchronous Step-Down Converter

Key Spec

	RT6206A
Status	Active
Vin (min) (V)	4.5
Vin (max) (V)	18
Number of Outputs	1
Vout (min) (V)	0.765
Vout (max) (V)	7
Output Adj. Method	Resistor
Iout (max) (A)	5.5
Current Limit (typ) (A)	6.9
Freq (typ) (kHz)	650

Simplified Circuit



Application

- Industrial and Commercial Low Power Systems
- Computer Peripherals
- LCD Monitors and TVs
- Green Electronics/Appliances
- Point of Load Regulation for High-Performance DSPs, FPGAs, and ASICs

Evaluation Board



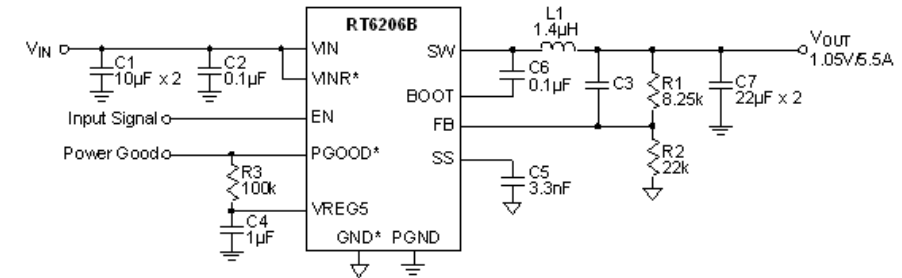
RT6206B

5.5A, 18V, 650kHz, ACOT™ Synchronous Step-Down Converter

Key Spec

	RT6206B
Status	Active
Vin (min) (V)	4.5
Vin (max) (V)	18
Number of Outputs	1
Vout (min) (V)	0.765
Vout (max) (V)	7
Output Adj. Method	Resistor
Iout (max) (A)	5.5
Current Limit (typ) (A)	6.9
Freq (typ) (kHz)	650

Simplified Circuit



Application

- Industrial and Commercial Low Power Systems
- Computer Peripherals
- LCD Monitors and TVs
- Green Electronics/Appliances
- Point of Load Regulation for High-Performance DSPs, FPGAs, and ASICs

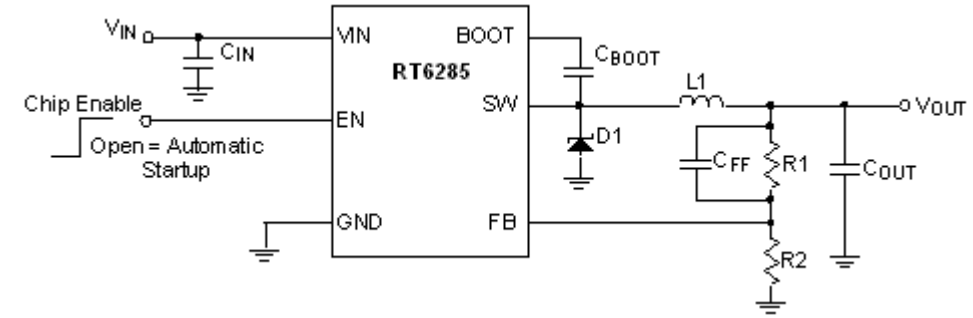
RT6285

5A, 30V, 500kHz Asynchronous Step-Down Converter

Key Spec

	RT6285
Status	Active
Vin (min) (V)	5.5
Vin (max) (V)	30
Number of Outputs	1
Vout (min) (V)	1.222
Vout (max) (V)	24
Output Adj. Method	Resistor
Iout (max) (A)	5
Current Limit (typ) (A)	7.5
Freq (typ) (kHz)	500

Simplified Circuit



Application

- Distributive Power Systems
- Battery Charger
- DSL Modems
- Pre-regulator for Linear Regulators



More Info



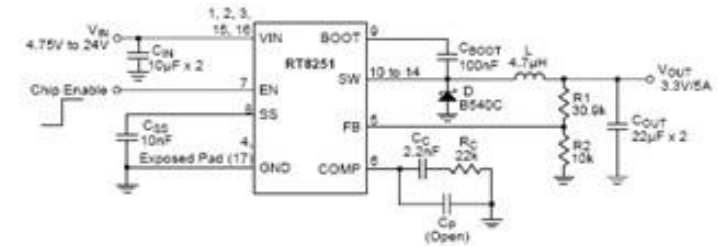
WWW

RT8251 5A, 24V, 570kHz Step-Down Converter

Key Spec

	RT8251
Status	Active
Vin (min) (V)	4.75
Vin (max) (V)	24
Number of Outputs	1
Vout (min) (V)	0.8
Vout (max) (V)	15
Output Adj. Method	Resistor
Iout (max) (A)	5
Current Limit (typ) (A)	6.8
Freq (typ) (kHz)	570

Simplified Circuit



Application

- Distributed Power Systems
- Battery Charger
- DSL Modems
- Pre-regulator for Linear Regulators





More Info



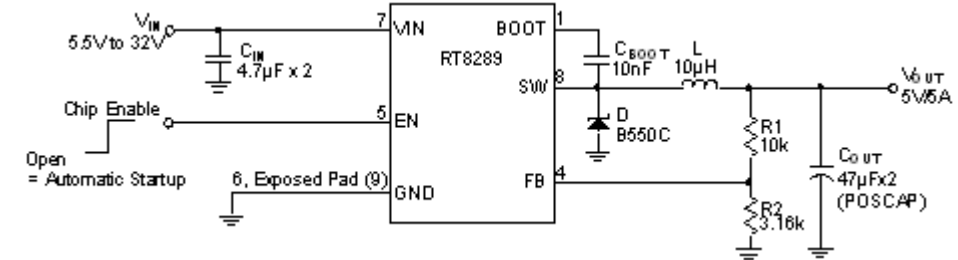
WWW

RT8289 5A, 32V, 500kHz Step-Down Converter

Key Spec

	RT8289
Status	Active
Vin (min) (V)	5.5
Vin (max) (V)	32
Number of Outputs	1
Vout (min) (V)	1.222
Vout (max) (V)	26
Output Adj. Method	Resistor
Iout (max) (A)	5
Current Limit (typ) (A)	6.8
Freq (typ) (kHz)	500

Simplified Circuit



Application

- Distributive Power Systems
- LCD TV
- DSL Modems
- Pre-regulator for Linear Regulators
- Battery Charger





More Info



WWW

RT6257A/RT6257B

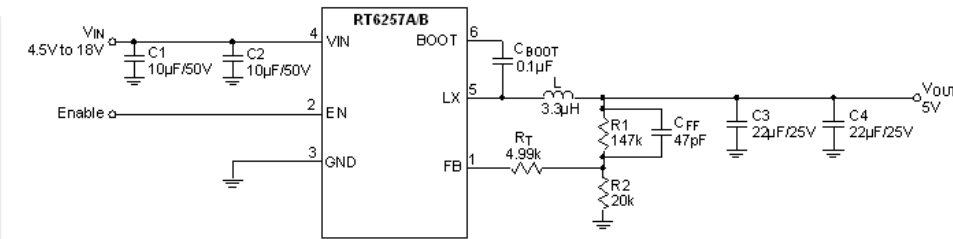
18V, 6A, 500kHz, ACOT™ Step-Down Converter

in 6 pin TSOT-23

Key Spec

	RT6257A	RT6257B
Status	Active	Active
Vin (min) (V)	4.5	4.5
Vin (max) (V)	18	18
Number of Outputs	1	1
Vout (min) (V)	0.6	0.6
Vout (max) (V)	5	5
Output Adj. Method	Resistor	Resistor
Iout (max) (A)	6	6
Current Limit (typ) (A)	8.5	8.5
Freq (typ) (kHz)	500	500

Simplified Circuit



Application

- Set Top Box
- Portable TV
- Access Point Router
- DSL Modem
- LCD TV



BACK



More Info



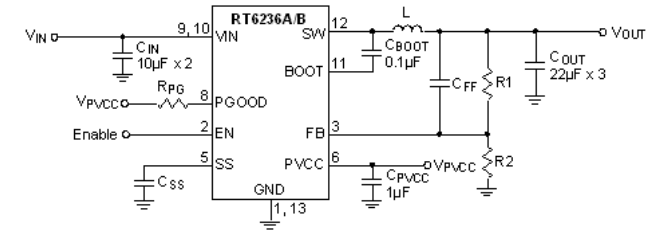
WWW

RT6236A/RT6236B 6A, 18V, 650kHz, ACOT[®] Synchronous Step-Down Converter

Key Spec

	RT6236A	RT6236B
Status	Active	Active
V _{in} (min) (V)	4.5	4.5
V _{in} (max) (V)	18	18
Number of Outputs	1	1
V _{out} (min) (V)	0.7	0.7
V _{out} (max) (V)	8	8
Output Adj. Method	Resistor	Resistor
I _{out} (max) (A)	6	6
Current Limit (typ) (A)	7.7	7.7
Freq (typ) (kHz)	650	650

Simplified Circuit



Application

- Industrial and Commercial Low Power Systems
- Computer Peripherals
- LCD Monitors and TVs
- Green Electronics/Appliances
- Point of Load Regulation for High-Performance DSPs, FPGAs, and ASICs

Evaluation Board





More Info



WWW

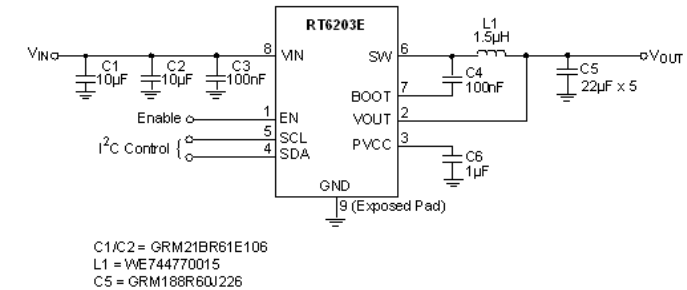
RT6203E

6A, 18V, 700kHz ACOT™ Synchronous Step-Down Converter with VID Control

Key Spec

	RT6203E
Status	Active
Vin (min) (V)	4.5
Vin (max) (V)	18
Number of Outputs	1
Vout (min) (V)	0.6
Vout (max) (V)	1.62
Output Adj. Method	Digital
Iout (max) (A)	6
Current Limit (typ) (A)	10;4.3;7.15
Freq (typ) (kHz)	700

Simplified Circuit



Application

- Industrial and Commercial Low Power Systems
- Computer Peripherals
- LCD Monitors and TVs
- Green Electronics/Appliances
- Point of Load Regulation for High-Performance DSPs, FPGAs, and ASICs





More Info



WWW

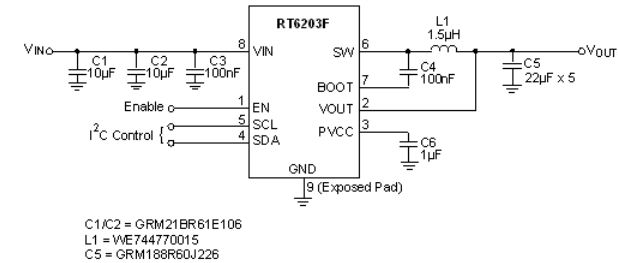
RT6203F

6A, 18V, 700kHz ACOT™ Synchronous Step-Down Converter with VID Control

Key Spec

	RT6203F
Status	Active
Vin (min) (V)	4.5
Vin (max) (V)	18
Number of Outputs	1
Vout (min) (V)	0.6
Vout (max) (V)	1.62
Output Adj. Method	Digital
Iout (max) (A)	6
Current Limit (typ) (A)	10;4.3;7.15
Freq (typ) (kHz)	700

Simplified Circuit



Application

- Industrial and Commercial Low Power Systems
- Computer Peripherals
- LCD Monitors and TVs
- Green Electronics/Appliances
- Point of Load Regulation for High-Performance DSPs, FPGAs, and ASICs





More Info



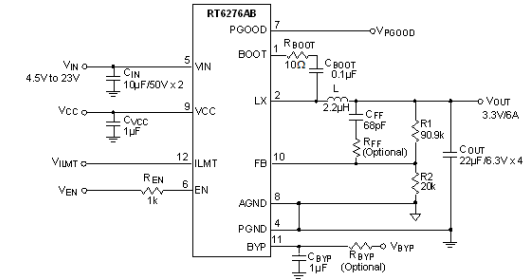
WWW

RT6276A/RT6276B 23V, 6A, 500kHz ACOT[®] Synchronous Step-Down Converter

Key Spec

	RT6276A	RT6276B
Status	Active	Active
Vin (min) (V)	4.5	4.5
Vin (max) (V)	23	23
Number of Outputs	1	1
Vout (min) (V)	0.6	0.6
Vout (max) (V)	6	6
Output Adj. Method	Resistor	Resistor
Iout (max) (A)	6	6
Current Limit (typ) (A)	4.75;7.1;9.5	4.75;7.1;9.5
Freq (typ) (kHz)	500	500

Simplified Circuit



Application

- Industrial and Commercial Low Power Systems
- Computer Peripherals
- LCD Monitors and TVs
- Green Electronics/Appliances
- Point of Load Regulation for High-Performance DSPs, FPGAs, and ASICs
- Networking Communication

Evaluation Board



BACK

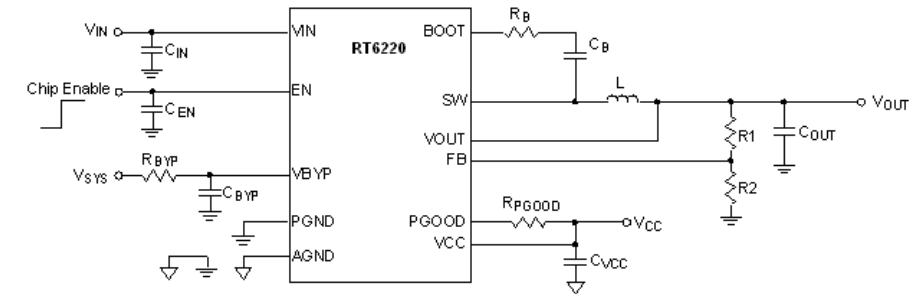
RT6220

6A, 23V, 500kHz, ACOT[®] Synchronous Buck Converter

Key Spec

	RT6220A	RT6220B
Status	Active	Active
Vin (min) (V)	4.5	4.5
Vin (max) (V)	23	23
Number of Outputs	1	1
Vout (min) (V)	0.6	0.6
Vout (max) (V)	5	5
Output Adj. Method	Resistor	Resistor
Iout (max) (A)	6	6
Current Limit (typ) (A)	9.5	9.5
Freq (typ) (kHz)	500	500

Simplified Circuit



Application

- Laptop Computers
- Tablet PCs
- Networking Systems
- Servers
- Personal Video Recorders
- Flat Panel Television and Monitors
- Distributed Power Systems

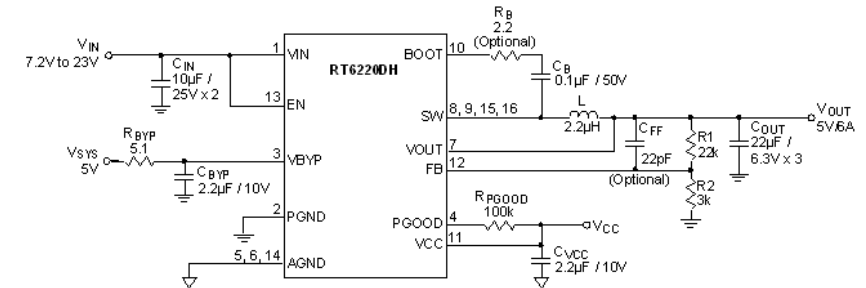
RT6220DH

6A, 23V, 500kHz, ACOT[®] Synchronous Buck Converter

Key Spec

	RT6220D
Status	Active
Vin (min) (V)	4.5
Vin (max) (V)	23
Number of Outputs	1
Vout (min) (V)	0.6
Vout (max) (V)	5
Output Adj. Method	Resistor
Iout (max) (A)	6
Current Limit (typ) (A)	9.5
Freq (typ) (kHz)	500

Simplified Circuit



Application

- Laptop Computers
- Tablet PCs
- Networking Systems
- Servers
- Personal Video Recorders
- Flat Panel Television and Monitors
- Distributed Power Systems

Buck Converter $7V \leq V_{in} < 24V$

6A (ACOT)

RT6316B/C

$V_{in}=23V$,
PSM/USM

RT6226A

$V_{in}=23V$,
PSM/USM

RT6256B/C

$V_{in}=23V$,
PSM/USM

RT7290A

RT7291A/B

$V_{in}=23V$, PSM

RT6256BH/CH

$V_{in}=23V$
PSM/USM

RT6230A/B

$V_{in}=23V$
PSM/FPWM

6A (CM)

RT7298A/B

$V_{in}=18V$,
PSM/FPWM

RT2856/57B

$V_{in}=18V$, FPWM

RT7243

$V_{in}=18V$, FPWM

RTQ2816

$V_{in}=18V$
FPWM

8A (ACOT)

RTQ2823A/B

$V_{in}=17V$,
DCM/FPWM

RT6238A/B

$V_{in}=18V$,
PSM/FPWM

RT6318C

$V_{in}=23V$,
PSM/USM

RT6278A/B

$V_{in}=23V$,
PSM/FPWM

RT6228A/C

$V_{in}=23V$, PSM

RT6258B/C

$V_{in}=23V$, PSM

8A (ACOT)

RT6338A/B/C

$V_{in}=23V$, PSM

RT6258BH/CH

$V_{in}=23V$,
PSM/FPWM

RT6308A

$V_{in}=23V$, PSM

RT7258

$V_{in}=24V$
FPWM



More Info



WWW

RT6316B/RT6316C

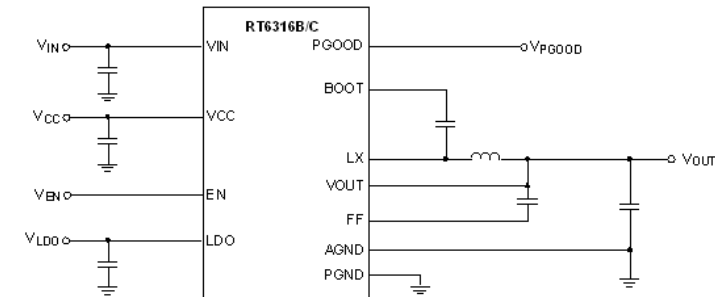
6A, 23V Synchronous Step-Down Converter

with 3.3V/5V LDO

Key Spec

	RT6316B	RT6316C
Status	Active	Active
Vin (min) (V)	4.5	5.1
Vin (max) (V)	23	23
Number of Outputs	1	1
Vout (min) (V)	3.267	5.049
Vout (max) (V)	3.333	5.151
Output Adj. Method	Fixed	Fixed
Iout (max) (A)	6	6
Current Limit (typ) (A)	8.4	8.4
Freq (typ) (kHz)	500	750

Simplified Circuit



Application

- Industrial and Commercial Low Power Systems
- Computer Peripherals
- LCD Monitors and TVs
- Green Electronics/Appliances
- Point of Load Regulation for High-Performance DSPs, FPGAs, and ASICs





More Info



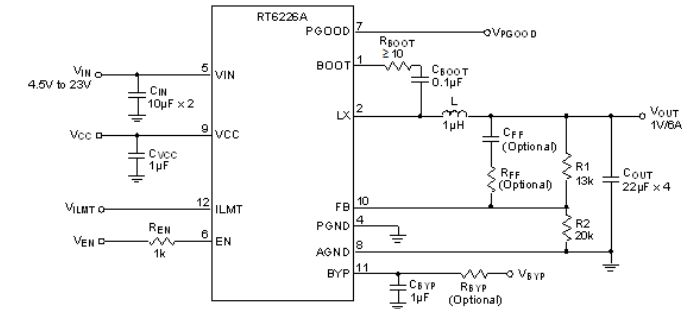
WWW

RT6226A/RT6226B/RT6226C 6A, 23V Synchronous Step-Down Converter with 3.3V/5V LDO

Key Spec

	RT6226A	RT6226B	RT6226C
Status	Active	Active	Active
V _{in} (min) (V)	4.5	4.5	5.1
V _{in} (max) (V)	23	23	23
Number of Outputs	1	1	1
V _{out} (min) (V)	0.6	3.267	5.049
V _{out} (max) (V)	5.1	3.333	5.151
Output Adj. Method	Resistor	Fixed	Fixed
I _{out} (max) (A)	6	6	6
Current Limit (typ) (A)	7.2	7.2	8.4
Freq (typ) (kHz)	500	500	750

Simplified Circuit



Application

- Industrial and Commercial Low Power Systems
- Computer Peripherals
- LCD Monitors and TVs
- Green Electronics/Appliances
- Point of Load Regulation for High-Performance DSPs, FPGAs, and ASICs





More Info



WWW

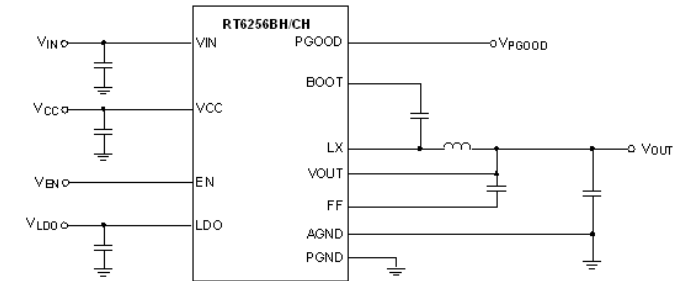
RT6256BH/RT6256CH

6A, 23V Synchronous Step-Down Converter with 3.3V/5V LDO

Key Spec

	RT6256BH	RT6256CH
Status	Active	Active
Vin (min) (V)	4.5	5.1
Vin (max) (V)	23	23
Number of Outputs	1	1
Vout (min) (V)	3.267	5.049
Vout (max) (V)	3.333	5.151
Output Adj. Method	Fixed	Fixed
Iout (max) (A)	6	6
Current Limit (typ) (A)	8.4	8.4
Freq (typ) (kHz)	500	750
Ext Sync	No	No

Simplified Circuit



Application

- Industrial and Commercial Low Power Systems
- Computer Peripherals
- LCD Monitors and TVs
- Green Electronics/Appliances
- Point of Load Regulation for High-Performance DSPs, FPGAs, and ASICs



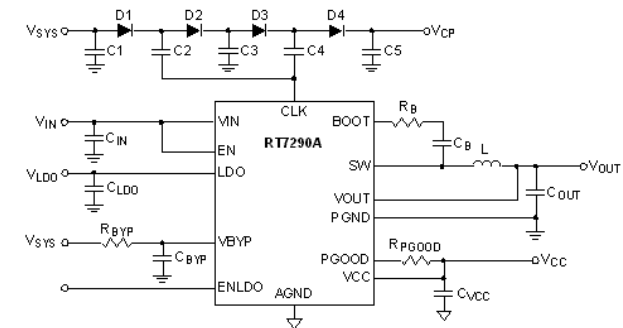
RT7290A

6A, 23V, 500kHz, ACOT[®] Synchronous Buck Converter with LDO for System 3.3V

Key Spec

	RT7290A
Status	Active
V _{in} (min) (V)	5
V _{in} (max) (V)	23
Number of Outputs	1
V _{out} (min) (V)	3.267
V _{out} (max) (V)	3.333
Output Adj. Method	Fixed
I _{out} (max) (A)	6
Current Limit (typ) (A)	9.5
Freq (typ) (kHz)	500

Simplified Circuit



Application

- Laptop Computers
- Tablet PCs
- Networking Systems
- Servers
- Personal Video Recorders
- Flat Panel Television and Monitors
- Distributed Power Systems



More Info



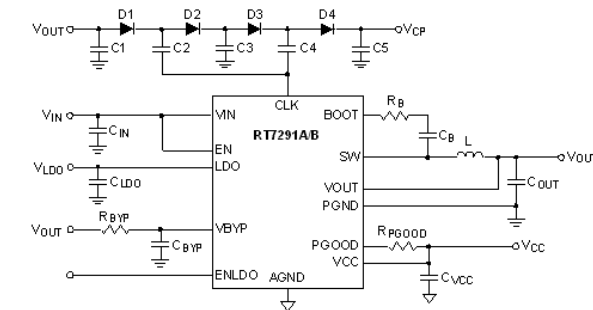
WWW

RT7291A/RT7291B 6A, 23V, 500kHz, ACOT[®] Synchronous Buck Converter with LDO for System 5V

Key Spec

	RT7291A	RT7291B
Status	Active	Active
V _{in} (min) (V)	5	5
V _{in} (max) (V)	23	23
Number of Outputs	1	1
V _{out} (min) (V)	4.95	5.049
V _{out} (max) (V)	5.05	5.151
Output Adj. Method	Fixed	Fixed
I _{out} (max) (A)	6	6
Current Limit (typ) (A)	9.5	9.5
Freq (typ) (kHz)	500	500

Simplified Circuit



Application

- Laptop Computers
- Tablet PCs
- Networking Systems
- Servers
- Personal Video Recorders
- Flat Panel Television and Monitors
- Distributed Power Systems



BACK



More Info



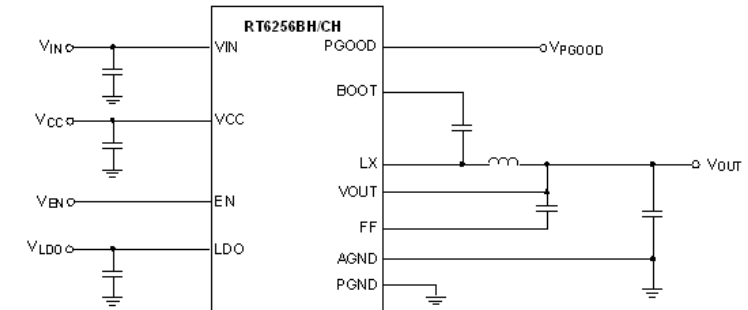
WWW

RT6256BH/RT6256CH 6A, 23V Synchronous Step-Down Converter with 3.3V/5V LDO

Key Spec

	RT6256BH	RT6256CH
Status	Active	Active
V _{in} (min) (V)	4.5	5.1
V _{in} (max) (V)	23	23
Number of Outputs	1	1
V _{out} (min) (V)	3.267	5.049
V _{out} (max) (V)	3.333	5.151
Output Adj. Method	Fixed	Fixed
I _{out} (max) (A)	6	6
Current Limit (typ) (A)	8.4	8.4
Freq (typ) (kHz)	500	750

Simplified Circuit



Application

- Industrial and Commercial Low Power Systems
- Computer Peripherals
- LCD Monitors and TVs
- Green Electronics/Appliances
- Point of Load Regulation for High-Performance DSPs, FPGAs, and ASICs



RT6230

6A, 23V, 500kHz, ACOT[®] Synchronous Buck Converter

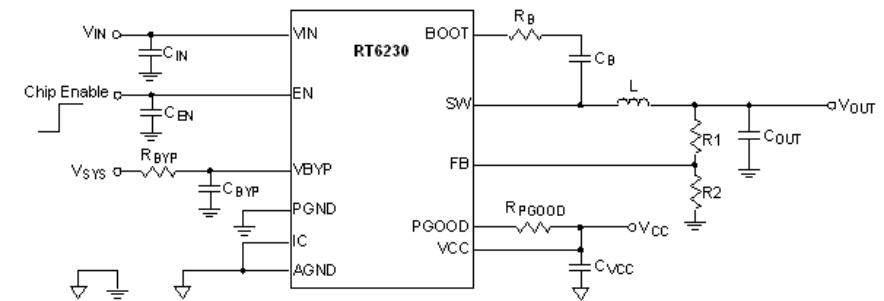


More Info WWW

Key Spec

	RT6230A	RT6230B
Status	Active	Active
V _{in} (min) (V)	6	6
V _{in} (max) (V)	23	23
Number of Outputs	1	1
V _{out} (min) (V)	5	5
V _{out} (max) (V)	12	12
Output Adj. Method	Resistor	Resistor
I _{out} (max) (A)	6	6
Current Limit (typ) (A)	9.5	9.5
Freq (typ) (kHz)	500	500

Simplified Circuit



Application

- Laptop Computers
- Tablet PCs
- Networking Systems
- Servers
- Personal Video Recorders
- Flat Panel Television and Monitors
- Distributed Power Systems





More Info



WWW

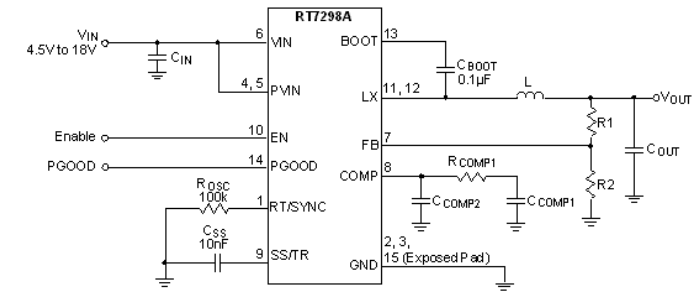
RT7298A

6A, 18V, Synchronous Step-Down Converter

Key Spec

	RT7298A
Status	Active
Vin (min) (V)	4.5
Vin (max) (V)	18
Number of Outputs	1
Vout (min) (V)	0.6
Vout (max) (V)	15
Output Adj. Method	Resistor
Iout (max) (A)	6
Current Limit (typ) (A)	11
Freq (typ) (kHz)	480

Simplified Circuit



Application

- High Performance Point of Load Regulation
- Notebook Computers
- High Density and Distributed Power Systems



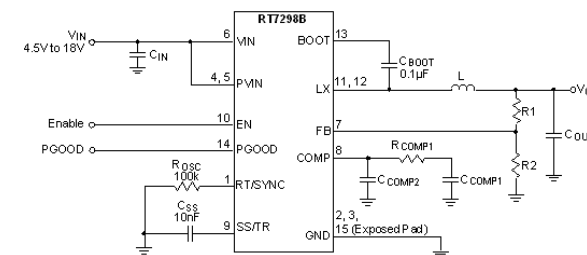
RT7298B

6A, 18V, Synchronous Step-Down Converter

Key Spec

	RT7298B
Status	Active
Vin (min) (V)	4.5
Vin (max) (V)	18
Number of Outputs	1
Vout (min) (V)	0.6
Vout (max) (V)	15
Output Adj. Method	Resistor
Iout (max) (A)	6
Current Limit (typ) (A)	11
Freq (typ) (kHz)	480

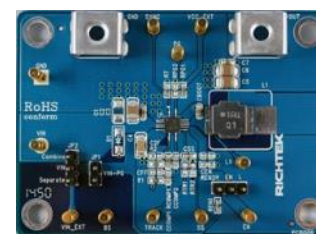
Simplified Circuit



Application

- High Performance Point of Load Regulation
- Notebook Computers
- High Density and Distributed Power Systems

Evaluation Board



EVB_RT7298BLGQW



EVB_RT7298BHGQW



More Info



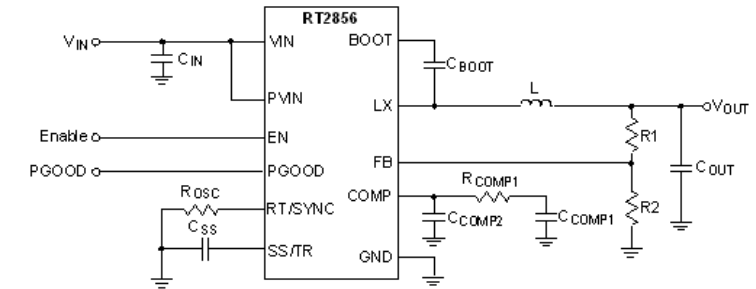
WWW

RT2856 6A, 18V, Synchronous Step-Down Converter

Key Spec

	RT2856
Status	Active
Vin (min) (V)	4.5
Vin (max) (V)	18
Number of Outputs	1
Vout (min) (V)	0.8
Vout (max) (V)	15
Output Adj. Method	Resistor
Iout (max) (A)	6
Current Limit (typ) (A)	11
Freq (typ) (kHz)	480

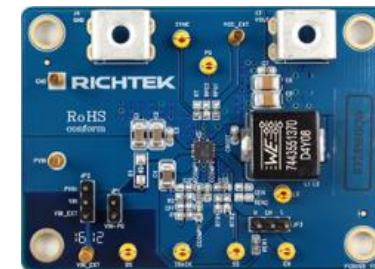
Simplified Circuit



Application

- High Performance Point of Load Regulation
- Notebook Computers
- High Density and Distributed Power Systems

Evaluation Board





More Info



WWW

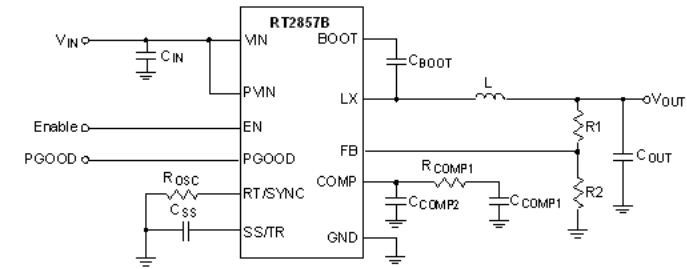
RT2857B

6A, 18V, Synchronous Step-Down Converter

Key Spec

	RT2857B
Status	Active
Vin (min) (V)	4.5
Vin (max) (V)	18
Number of Outputs	1
Vout (min) (V)	0.6
Vout (max) (V)	15
Output Adj. Method	Resistor
Iout (max) (A)	6
Current Limit (typ) (A)	11
Freq (typ) (kHz)	480

Simplified Circuit



Application

- High Performance Point of Load Regulation
- Notebook Computers
- High Density and Distributed Power Systems



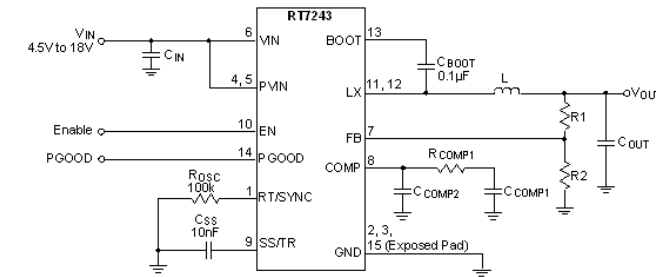
RT7243

6A, 18V, Synchronous Step-Down Converter

Key Spec

	RT7243
Status	Active
Vin (min) (V)	4.5
Vin (max) (V)	18
Number of Outputs	1
Vout (min) (V)	0.8
Vout (max) (V)	15
Output Adj. Method	Resistor
Iout (max) (A)	6
Current Limit (typ) (A)	11
Freq (typ) (kHz)	480

Simplified Circuit



Application

- High Performance Point of Load Regulation
- Notebook Computers
- High Density and Distributed Power Systems

Evaluation Board





More Info



WWW

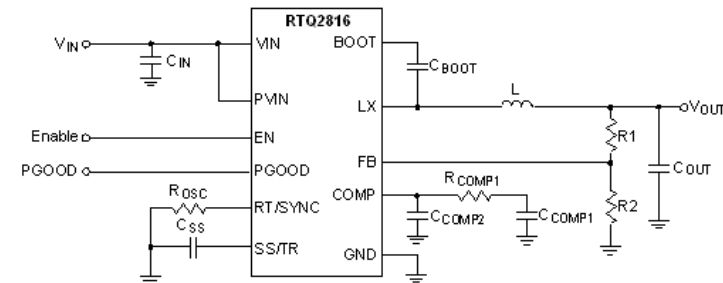
RTQ2816

6A, 18V, Synchronous Step-Down Converter

Key Spec

	RTQ2816
Status	Active
Vin (min) (V)	4.5
Vin (max) (V)	18
Number of Outputs	1
Vout (min) (V)	0.8
Vout (max) (V)	15
Output Adj. Method	Resistor
Iout (max) (A)	6
Current Limit (typ) (A)	11
Freq (typ) (kHz)	480

Simplified Circuit



Application

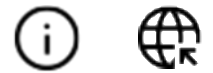
- High Performance Point of Load Regulation
- Notebook Computers
- High Density and Distributed Power Systems



BACK

RTQ2823A/RTQ2823B

8A, 17V, High Efficiency Synchronous Step-Down Converter

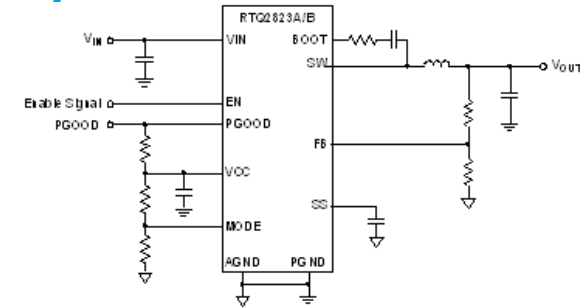


More Info WWW

Key Spec

	RTQ2823A	RTQ2823B
Status	Active	Preview
Vin (min) (V)	4.5	4.5
Vin (max) (V)	17	17
Number of Outputs	1	1
Vout (min) (V)	0.6	0.6
Vout (max) (V)	5.5	5.5
Output Adj. Method	Resistor	Resistor
Iout (max) (A)	8	8
Current Limit (typ) (A)	7.1;9.4	7.1;9.4
Freq (typ) (kHz)	1200;400;800	1200;400;800

Simplified Circuit



Application

- Server, Storage and Network Equipment
- Telecom Infrastructure
- Point of Load (POL) Power Modules
- High Density DC-DC Converters
- High End Digital TV



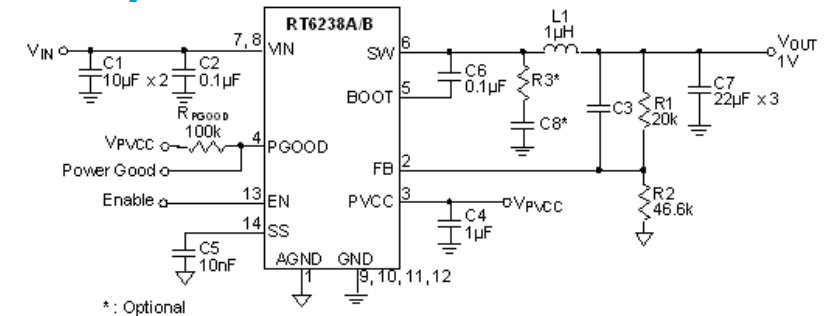
RT6238A/RT6238B

8A, 18V, 500kHz, ACOT™ Synchronous Step-Down Converter

Key Spec

	RT6238A	RT6238B
Status	Active	Active
Vin (min) (V)	4.5	4.5
Vin (max) (V)	18	18
Number of Outputs	1	1
Vout (min) (V)	0.7	0.7
Vout (max) (V)	8	8
Output Adj. Method	Resistor	Resistor
Iout (max) (A)	8	8
Current Limit (typ) (A)	11	11
Freq (typ) (kHz)	500	500

Simplified Circuit



Application

- Industrial and Commercial Low Power Systems
- Computer Peripherals
- LCD Monitors and TVs
- Green Electronics/Appliances
- Point of Load Regulation for High-Performance DSPs, FPGAs, and ASICs

RT6318B/RT6318C

8A, 23V Synchronous Step-Down Converter with 3.3V/5V LDO



More Info

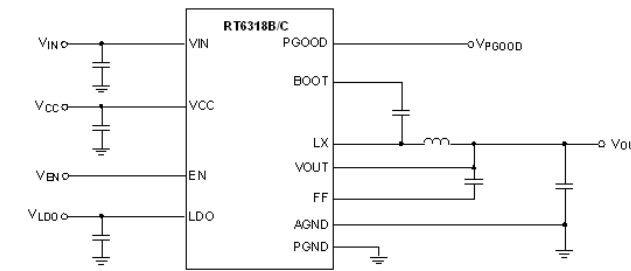


WWW

Key Spec

	RT6318B	RT6318C
Status	Active	Active
Vin (min) (V)	4.5	5.1
Vin (max) (V)	23	23
Number of Outputs	1	1
Vout (min) (V)	3.267	5.049
Vout (max) (V)	3.333	5.151
Output Adj. Method	Fixed	Fixed
Iout (max) (A)	8	8
Current Limit (typ) (A)	10.4	10.4
Freq (typ) (kHz)	500	750

Simplified Circuit



Application

- Industrial and Commercial Low Power Systems
- Computer Peripherals
- LCD Monitors and TVs
- Green Electronics/Appliances
- Point of Load Regulation for High-Performance DSPs, FPGAs, and ASICs



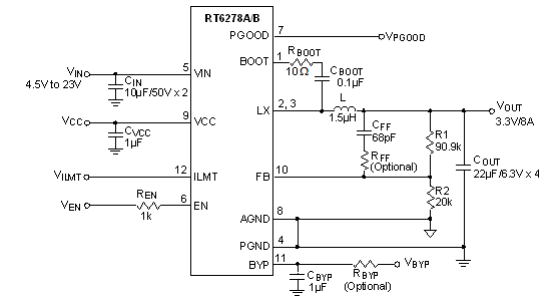
RT6278A/RT6278B

23V, 8A, 500kHz ACOT[®] Synchronous Step-Down Converter

Key Spec

	RT6278A	RT6278B
Status	Active	Active
Vin (min) (V)	4.5	4.5
Vin (max) (V)	23	23
Number of Outputs	1	1
Vout (min) (V)	0.6	0.6
Vout (max) (V)	6	6
Output Adj. Method	Resistor	Resistor
Iout (max) (A)	8	8
Current Limit (typ) (A)	10;12;8	10;12;8
Freq (typ) (kHz)	500	500

Simplified Circuit



Application

- Industrial and Commercial Low Power Systems
- Computer Peripherals
- LCD Monitors and TVs
- Green Electronics/Appliances
- Point of Load Regulation for High-Performance DSPs, FPGAs, and ASICs
- Networking Communication

Evaluation Board



EVB_RT6278BHGQUF

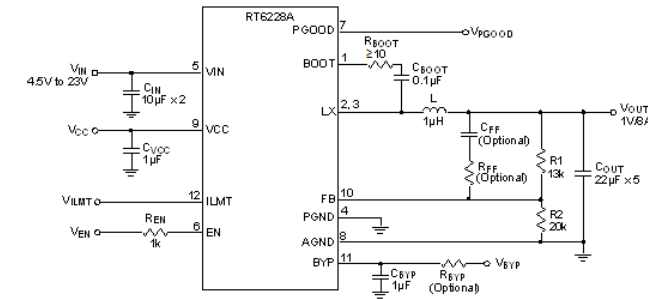
RT6228A/RT6228B/RT6228C

8A, 23V Synchronous Step-Down Converter with 3.3V/5V LDO

Key Spec

	RT6228A	RT6228B	RT6228C
Status	Active	Active	Active
Vin (min) (V)	4.5	4.5	5.1
Vin (max) (V)	23	23	23
Number of Outputs	1	1	1
Vout (min) (V)	0.6	3.267	5.049
Vout (max) (V)	5.1	3.333	5.151
Output Adj. Method	Resistor	Fixed	Fixed
Iout (max) (A)	8	8	8
Current Limit (typ) (A)	12	12	10.4
Freq (typ) (kHz)	500	500	750

Simplified Circuit



Application

- Industrial and Commercial Low Power Systems
- Computer Peripherals
- LCD Monitors and TVs
- Green Electronics/Appliances
- Point of Load Regulation for High-Performance DSPs, FPGAs, and ASICs

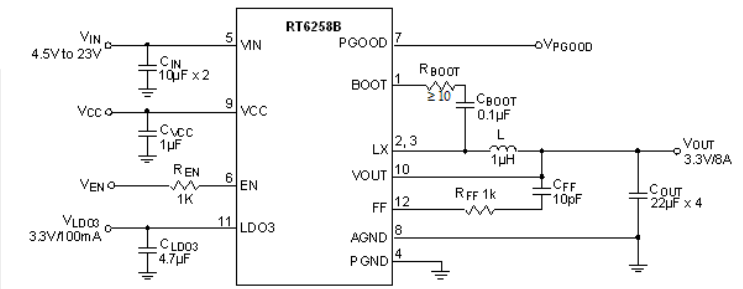
RT6258B/RT6258C

8A, 23V Synchronous Step-Down Converter with 3.3V/5V LDO

Key Spec

	RT6258B	RT6258C
Status	Active	Active
Vin (min) (V)	4.5	5.1
Vin (max) (V)	23	23
Number of Outputs	1	1
Vout (min) (V)	3.267	5.049
Vout (max) (V)	3.333	5.151
Output Adj. Method	Fixed	Fixed
Iout (max) (A)	8	8
Current Limit (typ) (A)	10.4	10.4
Freq (typ) (kHz)	500	750

Simplified Circuit



Application

- Industrial and Commercial Low Power Systems
- Computer Peripherals
- LCD Monitors and TVs
- Green Electronics/Appliances
- Point of Load Regulation for High-Performance DSPs, FPGAs, and ASICs

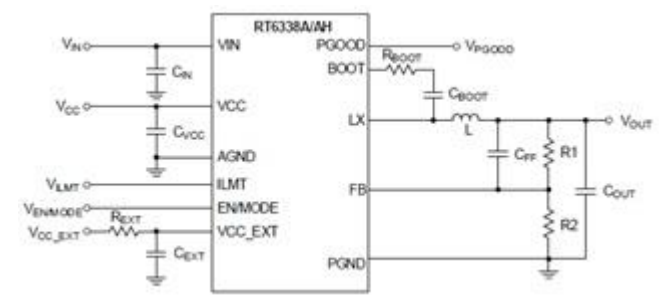
RT6338

8A, 23V Synchronous Step-Down Converter with 3.3V/5V LDO

Key Spec

	RT6338A	RT6338B	RT6338C
Status	Active	Active	Active
Vin (min) (V)	4.5	4.5	5.2
Vin (max) (V)	23	23	23
Number of Outputs	1	1	1
Vout (min) (V)	0.6	3.267	5.049
Vout (max) (V)	5.5	3.333	5.151
Output Adj. Method	Resistor	Fixed	Fixed
Iout (max) (A)	8	8	8
Current Limit (typ) (A)	10;12;14	12	12
Freq (typ) (kHz)	500	500	500

Simplified Circuit



Application

- Laptop Computers
- Tablet PCs
- Networking Systems
- Servers
- Personal Video Recorders
- Flat Panel Television and Monitors
- Distributed Power Systems

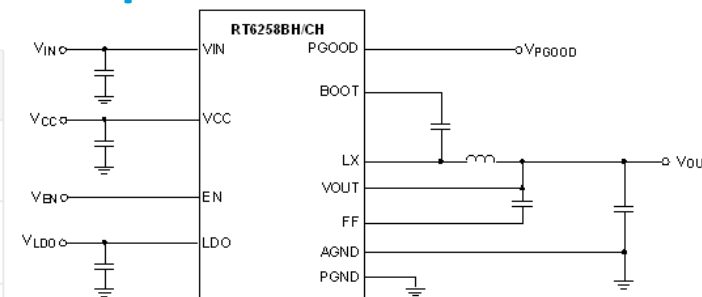
RT6258BH/RT6258CH

8A, 23V Synchronous Step-Down Converter with 3.3V/5V LDO

Key Spec

	RT6258BH	RT6258CH
Status	Active	Active
Vin (min) (V)	4.5	5.1
Vin (max) (V)	23	23
Number of Outputs	1	1
Vout (min) (V)	3.267	5.049
Vout (max) (V)	3.333	5.151
Output Adj. Method	Fixed	Fixed
Iout (max) (A)	8	8
Current Limit (typ) (A)	10.4	10.4
Freq (typ) (kHz)	500	750

Simplified Circuit



Application

- Industrial and Commercial Low Power Systems
- Computer Peripherals
- LCD Monitors and TVs
- Green Electronics/Appliances
- Point of Load Regulation for High-Performance DSPs, FPGAs, and ASICs

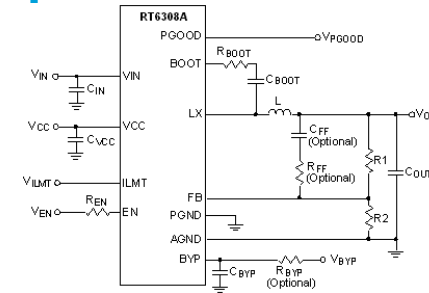
RT6308A

8A, 23V Synchronous Step-Down Converter

Key Spec

	RT6308A
Status	Active
Vin (min) (V)	4.5
Vin (max) (V)	23
Number of Outputs	1
Vout (min) (V)	0.6
Vout (max) (V)	5.1
Output Adj. Method	Resistor
Iout (max) (A)	8
Current Limit (typ) (A)	12
Freq (typ) (kHz)	500

Simplified Circuit



Application

- Industrial and Commercial Low Power Systems
- Computer Peripherals
- LCD Monitors and TVs
- Green Electronics/Appliances
- Point of Load Regulation for High-Performance DSPs, FPGAs, and ASICs



More Info



WWW

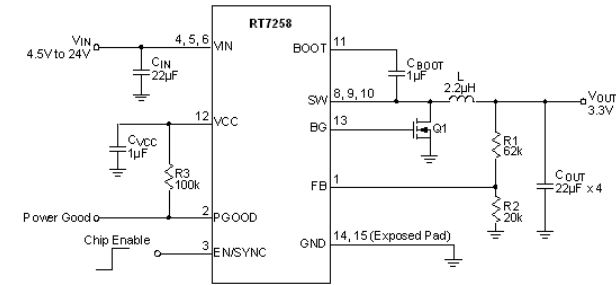
RT7258

8A, 24V, 600kHz Step-Down Converter with Synchronous Gate Driver

Key Spec

	RT7258
Status	Active
Vin (min) (V)	4.5
Vin (max) (V)	24
Number of Outputs	1
Vout (min) (V)	0.808
Vout (max) (V)	15
Output Adj. Method	Resistor
Iout (max) (A)	8
Current Limit (typ) (A)	13
Freq (typ) (kHz)	600

Simplified Circuit



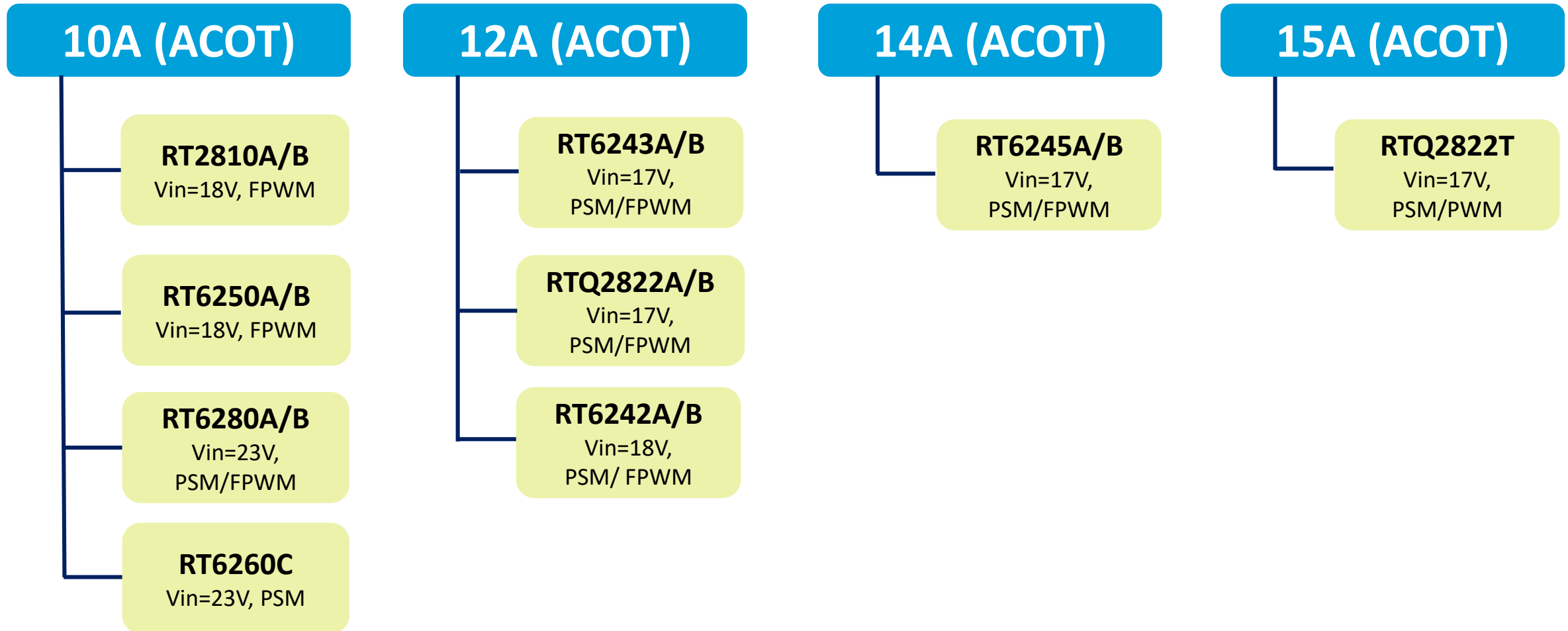
Application

- Point of Load Regulator in Distributed Power System
- Digital Set top Boxes
- Personal Digital Recorders
- Broadband Communications
- Flat Panel TVs and Monitors



BACK

Buck Converter $7V \leq V_{in} < 24V$





More Info



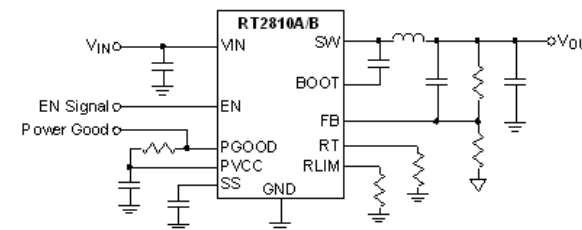
WWW

RT2810A/RT2810B 10A, 18V, 500kHz, ACOT™ Synchronous Step-Down Converter

Key Spec

	RT2810A	RT2810B
Status	Active	Active
V _{in} (min) (V)	4.5	4.5
V _{in} (max) (V)	18	18
Number of Outputs	1	1
V _{out} (min) (V)	0.7	0.7
V _{out} (max) (V)	8	8
Output Adj. Method	Resistor	Resistor
I _{out} (max) (A)	10	10
Current Limit (typ) (A)	13.3	13.3
Freq (min) (kHz)	300	300

Simplified Circuit



Application

- Industrial and Commercial Low Power Systems
- Computer Peripherals
- LCD Monitors and TVs
- Green Electronics/Appliances
- Point of Load Regulation for High-Performance DSPs, FPGAs, and ASICs

Evaluation Board



EVB_RT2810BHGQUF

Richtek Technology Corporation



BACK

RT6250A/RT6250B

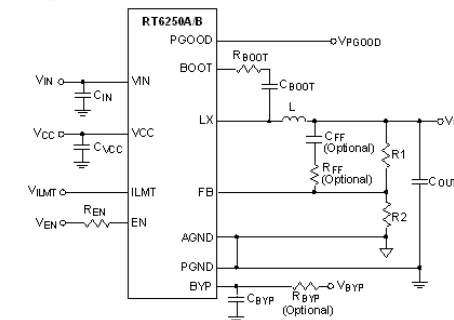
18V, 10A, 500kHz ACOT[®] Synchronous Step-Down Converter

Key Spec

	RT6250A	RT6250B
Status	Active	Active
V _{in} (min) (V)	4.5	4.5
V _{in} (max) (V)	18	18
Number of Outputs	1	1
V _{out} (min) (V)	0.6	0.6
V _{out} (max) (V)	6	6
Output Adj. Method	Resistor	Resistor
I _{out} (max) (A)	10	10
Current Limit (typ) (A)	10;12;8	10;12;8
Freq (typ) (kHz)	500	500

Richtek Technology Corporation

Simplified Circuit



Application

- Industrial and Commercial Low Power Systems
- Computer Peripherals
- LCD Monitors and TVs
- Green Electronics/Appliances
- Point of Load Regulation for High-Performance DSPs, FPGAs, and ASICs
- Networking Communication

Evaluation Board



EVB_RT6250BHGQUF



BACK



More Info



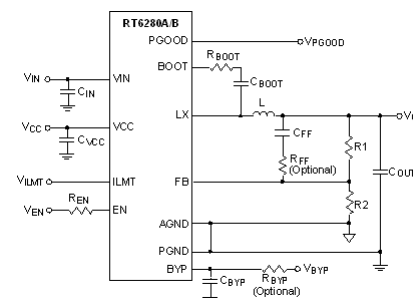
WWW

RT6280A/RT6280B 23V, 10A, 500kHz ACOT[®] Synchronous Step-Down Converter

Key Spec

	RT6280A	RT6280B
Status	Preview	Active
Vin (min) (V)	4.5	4.5
Vin (max) (V)	23	23
Number of Outputs	1	1
Vout (min) (V)	0.6	0.6
Vout (max) (V)	6	6
Output Adj. Method	Resistor	Resistor
Iout (max) (A)	10	10
Current Limit (typ) (A)	10;12;8	10;12;8
Freq (typ) (kHz)	500	500

Simplified Circuit



Application

- Industrial and Commercial Low Power Systems
- Computer Peripherals
- LCD Monitors and TVs
- Green Electronics/Appliances
- Point of Load Regulation for High-Performance DSPs, FPGAs, and ASICs
- Networking Communication

Evaluation Board



EVB_RT6280BHGQUF



BACK



More Info



WWW

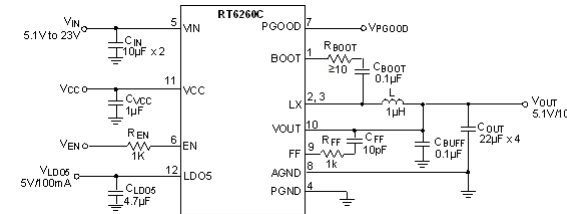
RT6260C

10A, 23V Synchronous Step-Down Converter with 5V LDO

Key Spec

	RT6260C
Status	Active
Vin (min) (V)	5.1
Vin (max) (V)	23
Number of Outputs	1
Vout (min) (V)	5.049
Vout (max) (V)	5.151
Output Adj. Method	Fixed
Iout (max) (A)	10
Current Limit (typ) (A)	14
Freq (typ) (kHz)	600

Simplified Circuit



Application

- Industrial and Commercial Low Power Systems
- Computer Peripherals
- LCD Monitors and TVs
- Green Electronics/Appliances
- Point of Load Regulation for High-Performance DSPs, FPGAs, and ASICs





More Info



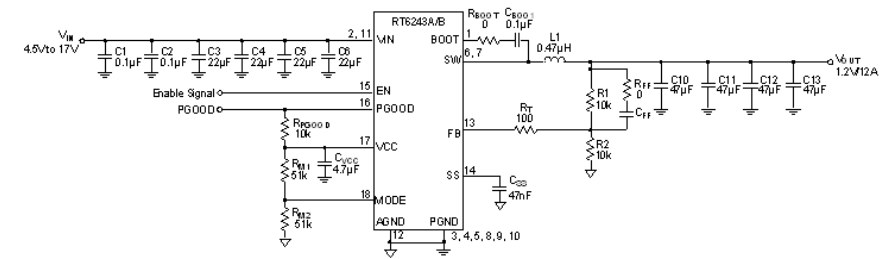
WWW

RT6243A/RT6243B 12A, 17V, High Efficiency Synchronous Step-Down Converter

Key Spec

	RT6243A	RT6243B
Status	Active	Active
V _{in} (min) (V)	4.5	4.5
V _{in} (max) (V)	17	17
Number of Outputs	1	1
V _{out} (min) (V)	0.6	0.6
V _{out} (max) (V)	5.5	5.5
Output Adj. Method	Resistor	Resistor
I _{out} (max) (A)	12	12
Current Limit (typ) (A)	11.5;13.8	11.5;13.8
Freq (typ) (kHz)	1200;400;800	1200;400;800

Simplified Circuit



Application

- Server, Storage and Network Equipment
- Telecom Infrastructure
- Point of Load (POL) Power Modules
- High Density DC-DC Converters
- High End Digital TV



BACK

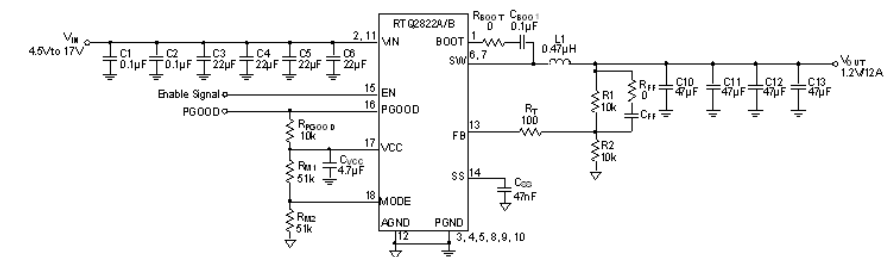
RTQ2822A/RTQ2822B

12A, 17V, High Efficiency Synchronous Step-Down Converter

Key Spec

	RTQ2822A	RTQ2822B
Status	Active	Active
Vin (min) (V)	4.5	4.5
Vin (max) (V)	17	17
Number of Outputs	1	1
Vout (min) (V)	0.6	0.6
Vout (max) (V)	5.5	5.5
Output Adj. Method	Resistor	Resistor
Iout (max) (A)	12	12
Current Limit (typ) (A)	11.5;13.8	11.5;13.8
Freq (typ) (kHz)	1200;400;800	1200;400;800

Simplified Circuit



Application

- Server, Storage and Network Equipment
- Telecom Infrastructure
- Point of Load (POL) Power Modules
- High Density DC-DC Converters
- High End Digital TV



More Info



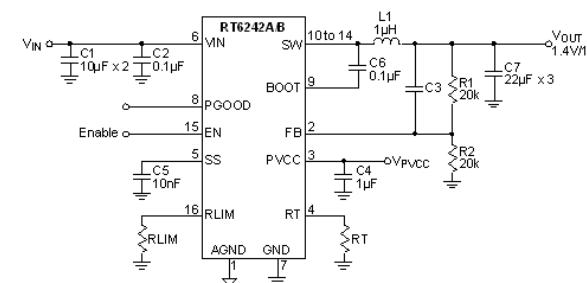
WWW

RT6242A/RT6242B 12A, 18V, 500kHz, ACOT[®] Synchronous Step-Down Converter

Key Spec

	RT6242A	RT6242B
Status	Active	Active
Vin (min) (V)	4.5	4.5
Vin (max) (V)	18	18
Number of Outputs	1	1
Vout (min) (V)	0.7	0.7
Vout (max) (V)	8	8
Output Adj. Method	Resistor	Resistor
Iout (max) (A)	12	12
Current Limit (typ) (A)	16	16
Freq (typ) (kHz)	500	500

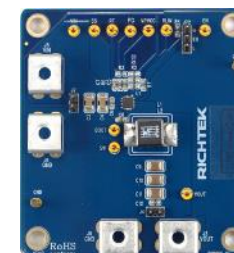
Simplified Circuit



Application

- Industrial and Commercial Low Power Systems
- Computer Peripherals
- LCD Monitors and TVs
- Green Electronics/Appliances
- Point of Load Regulation for High-Performance DSPs, FPGAs, and ASICs

Evaluation Board



EVB_RT6242AHGQUF



BACK

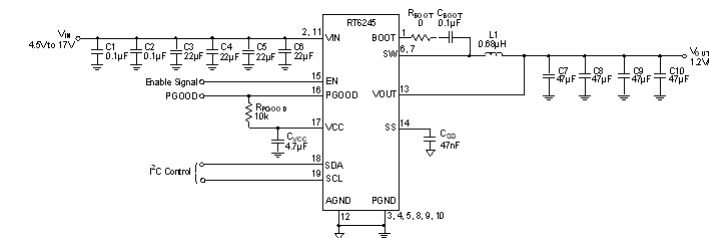
RT6245

14A, 17V, 400kHz/800kHz/1200kHz Synchronous Step-Down Converter with VID Control

Key Spec

	RT6245A	RT6245B
Status	Active	Active
Vin (min) (V)	4.5	4.5
Vin (max) (V)	17	17
Number of Outputs	1	1
Vout (min) (V)	0.4375	0.4375
Vout (max) (V)	1.3875	1.3875
Output Adj. Method	Digital	Digital
Iout (max) (A)	14	14
Current Limit (typ) (A)	11.5;13.8;16.1;9.2	11.5;13.8;16.1;9.2
Freq (typ) (kHz)	1200;400;800	1200;400;800

Simplified Circuit



Application

- Industrial and Commercial Low Power Systems
- Computer Peripherals
- LCD Monitors and TVs
- Green Electronics/Appliances
- Point of Load Regulation for High-Performance DSPs, FPGAs, and ASICs



More Info



WWW

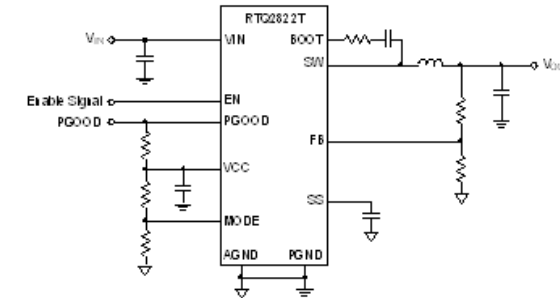
RTQ2822T

Peak 15A, 17V, High Efficiency Synchronous Step-Down Converter

Key Spec

	RTQ2822T
Status	Active
Vin (min) (V)	4.5
Vin (max) (V)	17
Number of Outputs	1
Vout (min) (V)	0.6
Vout (max) (V)	5.5
Output Adj. Method	Resistor
Iout (max) (A)	15
Current Limit (typ) (A)	14;17
Freq (min) (kHz)	320;640;960
Freq (max) (kHz)	1440;480;960

Simplified Circuit

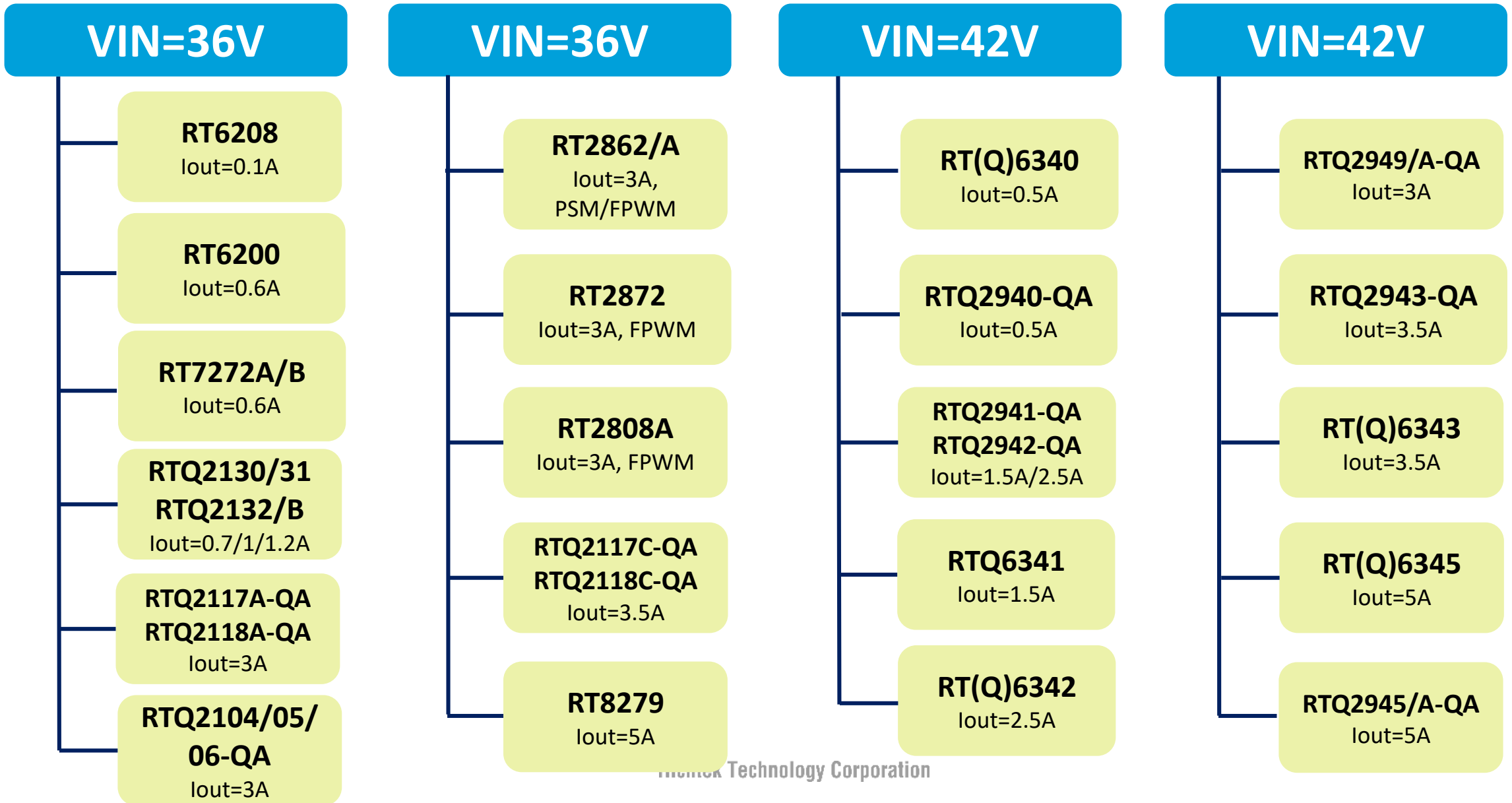


Application

- Server, Storage and Network
- Equipment
- Telecom Infrastructure
- Point of Load (POL) Power Modules
- High Density DC-DC Converters
- High End Digital TV



Buck Converter $36 \leq V_{in} \leq 42V$



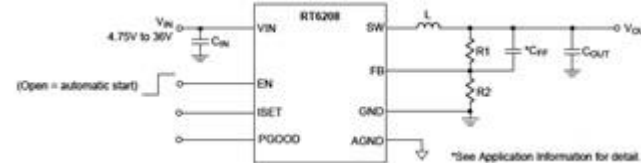
RT6208

High Efficiency, 36V 100mA Synchronous Step-Down Converter

Key Spec

	RT6208
Status	Active
Vin (min) (V)	4.75
Vin (max) (V)	36
Number of Outputs	1
Vout (min) (V)	0.8
Vout (max) (V)	15
Output Adj. Method	Resistor
Iout (max) (A)	0.1
Current Limit (typ) (A)	0.225
Ext Sync	No

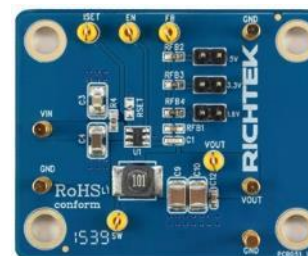
Simplified Circuit



Application

- Wireless Charger
- Industrial and Commercial Low Power Systems
- Green Electronics/Appliances
- Point of Load Regulation for High-Performance DSPs
- MCU Supply in Wireless LED Lighting

Evaluation Board





More Info



WWW

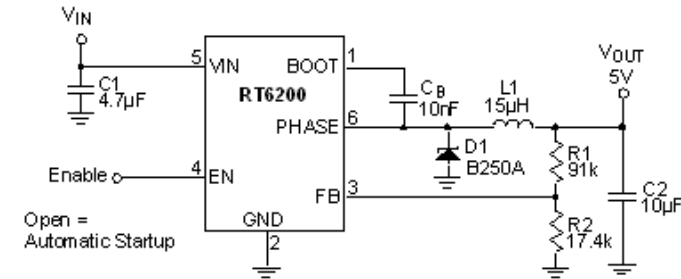
RT6200

0.6A, 36V, 1.2MHz Step-Down Converter

Key Spec

	RT6200
Status	Active
Vin (min) (V)	4.5
Vin (max) (V)	36
Number of Outputs	1
Vout (min) (V)	0.8
Vout (max) (V)	15
Output Adj. Method	Resistor
Iout (max) (A)	0.6
Current Limit (typ) (A)	1.2
Freq (typ) (kHz)	1200

Simplified Circuit



Application

- Distributed Power Systems
- Battery Chargers
- Pre-Regulator for Linear Regulators
- WLED Drivers

Evaluation Board



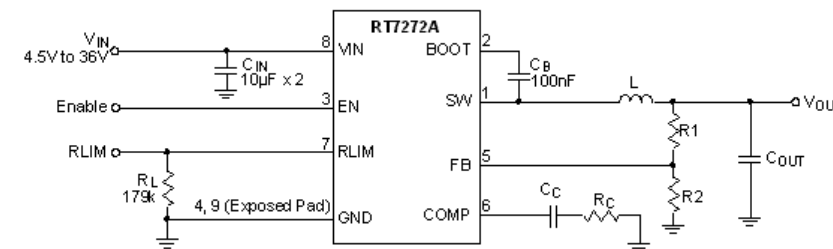
RT7272A

3A, 36V, 500kHz Synchronous Step-Down Converter

Key Spec

	RT7272A
Status	Active
Vin (min) (V)	4.5
Vin (max) (V)	36
Number of Outputs	1
Vout (min) (V)	0.8
Vout (max) (V)	30
Output Adj. Method	Resistor
Iout (max) (A)	3
Current Limit (typ) (A)	5.5
Freq (typ) (kHz)	500

Simplified Circuit



Application

- Distributed Power Systems
- Pre-Regulator for Linear Regulators
- Notebook Computers
- Point of Load Regulator in Distributed Power System
- Digital Set-top Boxes
- Personal Digital Recorders
- Broadband Communications
- Flat Panel TVs and Monitors
- Vehicle Electronics

Evaluation Board



BACK

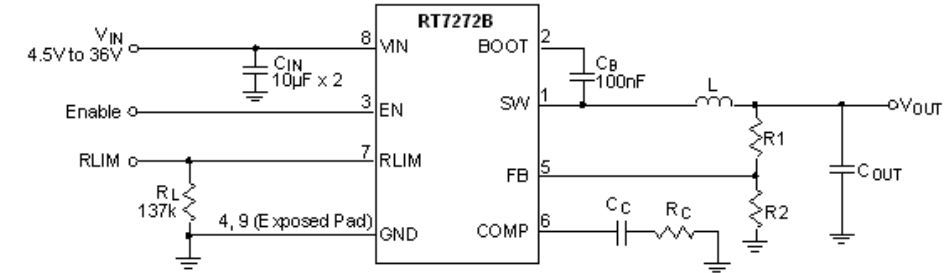
RT7272B

3A, 36V, 500kHz Synchronous Step-Down Converter

Key Spec

	RT7272B
Status	Active
Vin (min) (V)	4.5
Vin (max) (V)	36
Number of Outputs	1
Vout (min) (V)	0.8
Vout (max) (V)	30
Output Adj. Method	Resistor
Iout (max) (A)	3
Current Limit (typ) (A)	5.5
Freq (typ) (kHz)	500

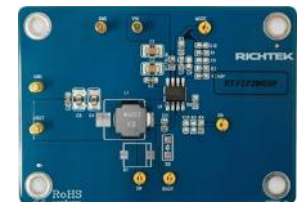
Simplified Circuit



Application

- Distributed Power Systems
- Pre-Regulator for Linear Regulators
- Notebook Computers
- Point of Load Regulator in Distributed Power System
- Digital Set-top Boxes
- Personal Digital Recorders
- Broadband Communications
- Flat Panel TVs and Monitors
- Vehicle Electronics

Evaluation Board



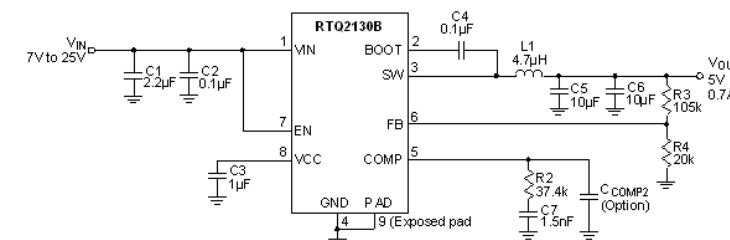
RTQ2130B-QT

0.7A, 36V, 2.1MHz Synchronous Small Form Factor Step-Down Converter

Key Spec

	RTQ2130B-QT
Status	Active
Vin (min) (V)	3
Vin (max) (V)	36
Number of Outputs	1
Vout (min) (V)	0.8
Vout (max) (V)	36
Output Adj. Method	Fixed; Resistor
Iout (max) (A)	0.7
Current Limit (typ) (A)	1.2
Freq (typ) (kHz)	2100

Simplified Circuit



C1 = GCM31CR71H225KA
 L1 = WIE-74437324047
 C5/C6 = GCM31CC71E106KA

Application

- Automotive Systems
- Car Camera Module and Car Cockpit Systems
- Connected Car Systems
- Point of Load Regulator in Distributed Power Systems
- Digital Set Top Boxes
- Broadband Communications

RTQ2131B-QA

1A, 36V, 2.1MHz Synchronous Step-Down Converter



More Info

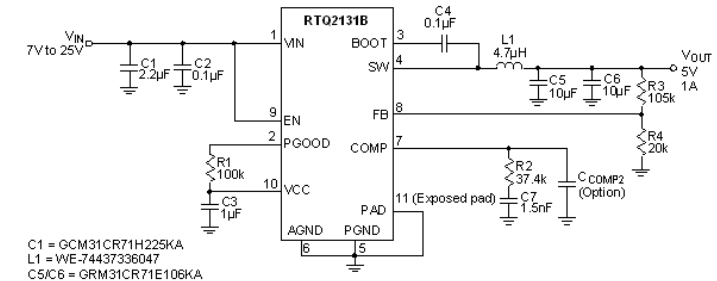


WWW

Key Spec

	RTQ2131B-QA
Status	Active
Vin (min) (V)	3
Vin (max) (V)	36
Number of Outputs	1
Vout (min) (V)	0.8
Vout (max) (V)	36
Output Adj. Method	Fixed; Resistor
Iout (max) (A)	1
Current Limit (typ) (A)	1.6
Freq (typ) (kHz)	2100

Simplified Circuit



Application

- Automotive Systems
- Car Camera Module and Car Cockpit Systems
- Connected Car Systems
- Point of Load Regulator in Distributed Power Systems
- Digital Set Top Boxes
- Broadband Communications



RTQ2132B-QT

1.2A, 36V, 2.1MHz Synchronous Step-Down Converter



More Info

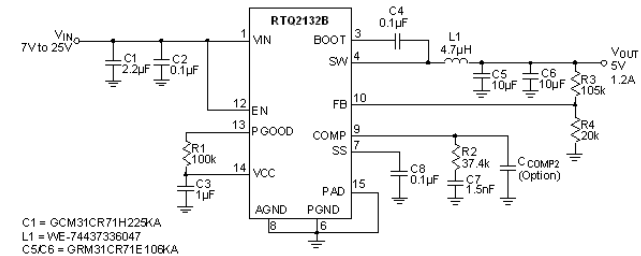


WWW

Key Spec

	RTQ2132B-QT
Status	Active
Vin (min) (V)	3
Vin (max) (V)	36
Number of Outputs	1
Vout (min) (V)	0.8
Vout (max) (V)	36
Output Adj. Method	Fixed; Resistor
Iout (max) (A)	1.2
Current Limit (typ) (A)	1.8
Freq (typ) (kHz)	2100

Simplified Circuit



C1 = GCM31CR71H229KA
L1 = VME-74437338047
C5/C6 = GRM31CR71E108KA

Application

- Automotive Systems
- Car Camera Module and Car Cockpit Systems
- Connected Car Systems
- Point of Load Regulator in Distributed Power Systems
- Digital Set Top Boxes
- Broadband Communications





More Info



WWW

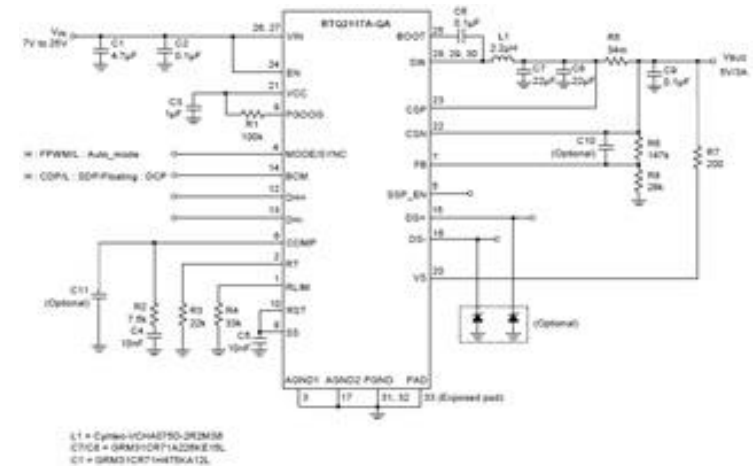
RTQ2117A-QA

Charging Port Controller and Integrated 36V 3A Synchronous Buck Converter

Key Spec

	RTQ2117A-QA
Status	Active
Vin (min) (V)	3
Vin (max) (V)	36
Number of Outputs	1
Vout (min) (V)	0.8
Vout (max) (V)	6
Output Adj. Method	Resistor
Iout (max) (A)	3
Current Limit (typ) (A)	3.3
Freq (typ) (kHz)	2200

Simplified Circuit



Application

- Automotive Car Chargers
- USB Power Chargers



BACK

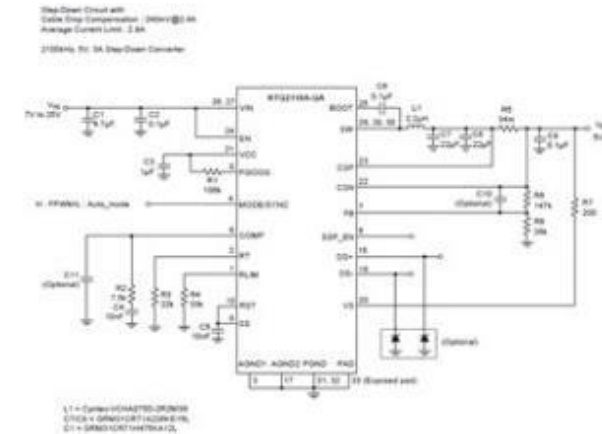
RTQ2118A-QA

Charging Port Controller and Integrated 36V 3A Synchronous Buck Converter

Key Spec

	RTQ2118A-QA
Status	Active
Vin (min) (V)	3
Vin (max) (V)	36
Number of Outputs	1
Vout (min) (V)	0.8
Vout (max) (V)	6
Output Adj. Method	Resistor
Iout (max) (A)	3
Current Limit (typ) (A)	3.3
Freq (typ) (kHz)	2200

Simplified Circuit



Application

- Automotive Car Chargers
- USB Power Chargers

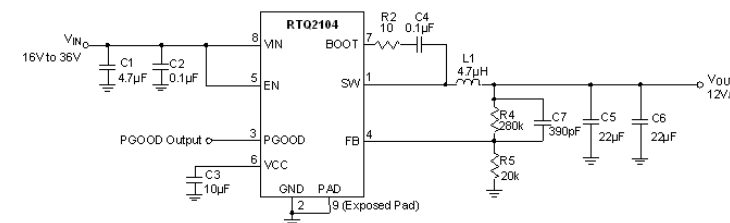
RTQ2104-QA

36VIN, 3A, High Efficiency, 2.1MHz, Synchronous Step-Down Converter with Low Quiescent Current

Key Spec

	RTQ2104B-QA	RTQ2104-QA
Status	Active	Active
Vin (min) (V)	3	3
Vin (max) (V)	36	36
Number of Outputs	1	1
Vout (min) (V)	0.8	0.8
Vout (max) (V)	36	36
Output Adj. Method	Resistor	Resistor
Iout (max) (A)	3	3
Current Limit (typ) (A)	5	5
Freq (typ) (kHz)	2100	2100

Simplified Circuit

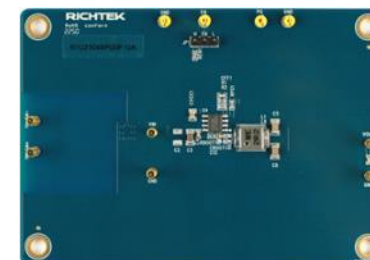


L1 = Cyntec-VCHA075D-4R7MS6
 C5/C6 = GCM32E-C71E226KE36L
 C1 = GRM31CR71H479KA12L

Application

- Automotive Systems
- Car Camera Module and Car Cockpit Systems
- Connected Car Systems
- Point of Load Regulator in Distributed Power Systems
- Digital Set Top Boxes
- Broadband Communications

Evaluation Board



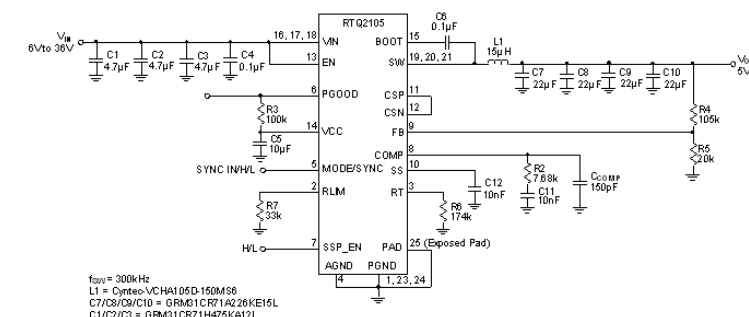
RTQ2105-QA

36VIN, 3A, High Efficiency, 2.1MHz, Synchronous Step-Down Converter with Low Quiescent Current

Key Spec

	RTQ2105-QA
Status	Active
Vin (min) (V)	3
Vin (max) (V)	36
Number of Outputs	1
Vout (min) (V)	0.8
Vout (max) (V)	36
Output Adj. Method	Resistor
Iout (max) (A)	3
Current Limit (typ) (A)	2.2;5.5
Freq (min) (kHz)	300
Freq (max) (kHz)	2200

Simplified Circuit



Application

- Automotive Systems
- Car Camera Module and Car Cockpit Systems
- Connected Car Systems
- Point of Load Regulator in Distributed Power Systems
- Digital Set Top Boxes
- Broadband Communications
- USB Power Chargers

Evaluation Board



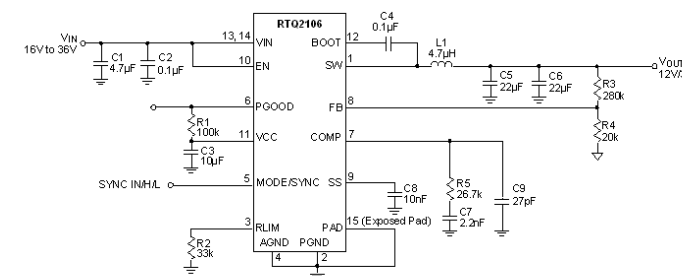
RTQ2106-QA

36VIN, 3A, High Efficiency, 2.1MHz, Synchronous Step-Down Converter with Low Quiescent Current

Key Spec

	RTQ2106-QA
Status	Active
Vin (min) (V)	3
Vin (max) (V)	36
Number of Outputs	1
Vout (min) (V)	0.8
Vout (max) (V)	36
Output Adj. Method	Resistor
Iout (max) (A)	3
Current Limit (typ) (A)	2.2;5.5
Freq (typ) (kHz)	2100
Ext Sync	Yes

Simplified Circuit



L1 = Cynreco-VCHA075D-4R7MS6
 C5/C6 = GCM32E71E228KE38L
 C1 = GRM51CR71H475KA12L

Application

- Automotive Systems
- Car Camera Module and Car Cockpit Systems
- Connected Car Systems
- Point of Load Regulator in Distributed Power Systems
- Digital Set Top Boxes
- Broadband Communications



More Info



WWW

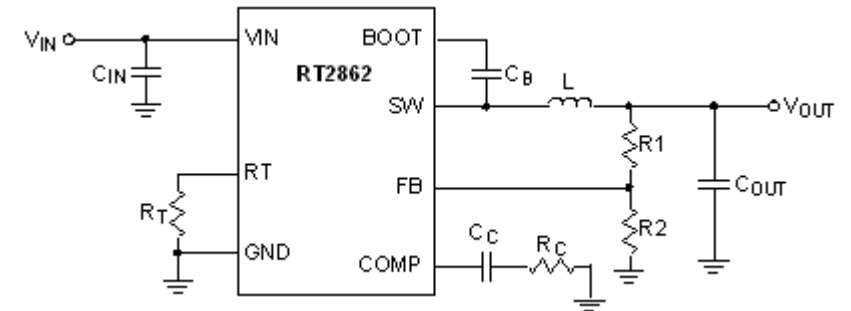
RT2862

3A, 36V, Synchronous Step-Down Converter

Key Spec

	RT2862
Status	Active
Vin (min) (V)	4.5
Vin (max) (V)	36
Number of Outputs	1
Vout (min) (V)	0.8
Vout (max) (V)	30
Output Adj. Method	Resistor
Iout (max) (A)	3
Current Limit (typ) (A)	5
Freq (min) (kHz)	300
Freq (max) (kHz)	1000

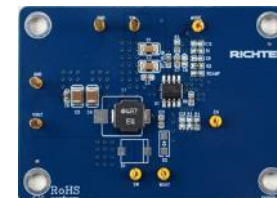
Simplified Circuit



Application

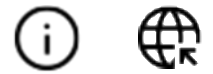
- Point of Load Regulator in Distributed Power Systems
- Digital Set Top Boxes
- Broadband Communications
- Vehicle Electronics
- Automotive Audio, Navigation, and Information Systems
- Enterprise Datacom Platforms Point of Load (POL)
- Industrial Grade General Purpose Point of Load

Evaluation Board



RT2862A

3A, 36V, Synchronous Step-Down Converter

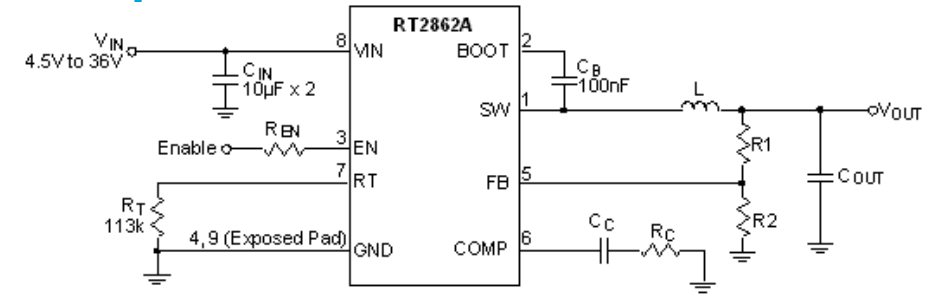


More Info WWW

Key Spec

	RT2862A
Status	Active
Vin (min) (V)	4.5
Vin (max) (V)	36
Number of Outputs	1
Vout (min) (V)	0.8
Vout (max) (V)	30
Output Adj. Method	Resistor
Iout (max) (A)	3
Current Limit (typ) (A)	5
Freq (min) (kHz)	300
Freq (max) (kHz)	1000

Simplified Circuit



Application

- Point of Load Regulator in Distributed Power Systems
- Digital Set Top Boxes
- Broadband Communications
- Vehicle Electronics
- Automotive Audio, Navigation, and Information Systems
- Enterprise Datacom Platforms Point of Load (POL)
- Industrial Grade General Purpose Point of Load





More Info



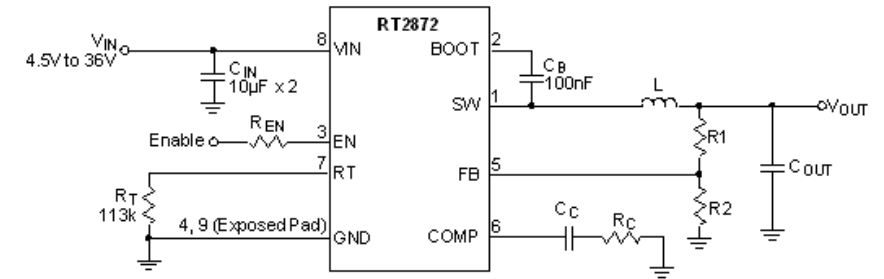
WWW

RT2872 3A, 36V, Synchronous Step-Down Converter

Key Spec

	RT2872
Status	Active
Vin (min) (V)	4.5
Vin (max) (V)	36
Number of Outputs	1
Vout (min) (V)	0.8
Vout (max) (V)	30
Output Adj. Method	Resistor
Iout (max) (A)	3
Current Limit (typ) (A)	5
Freq (typ) (kHz)	500

Simplified Circuit



Application

- Point of Load Regulator in Distributed Power Systems
- Digital Set Top Boxes
- Broadband Communications
- Vehicle Electronics
- Automotive Audio, Navigation, and Information Systems
- Enterprise Datacom Platforms Point of Load (POL)
- Industrial Grade General Purpose Point of Load

Evaluation Board



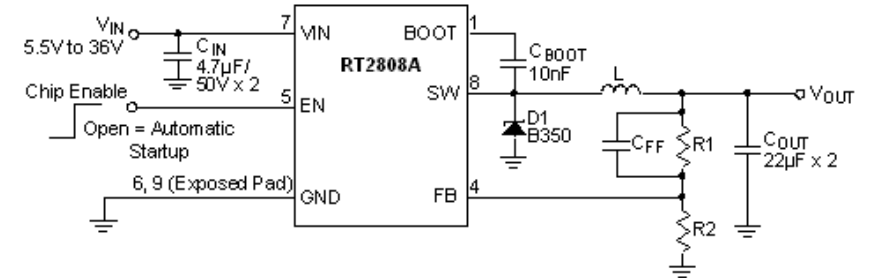
RT2808A

3A, 36V, 500kHz Current Mode Asynchronous Step-Down Converter

Key Spec

	RT2808A
Status	Active
Vin (min) (V)	5.5
Vin (max) (V)	36
Number of Outputs	1
Vout (min) (V)	1.222
Vout (max) (V)	26
Output Adj. Method	Resistor
Iout (max) (A)	3
Current Limit (typ) (A)	5.25
Freq (typ) (kHz)	500

Simplified Circuit



Application

- Distributive Power Systems
- Battery Charger
- DSL Modems
- Pre-regulator for Linear Regulators

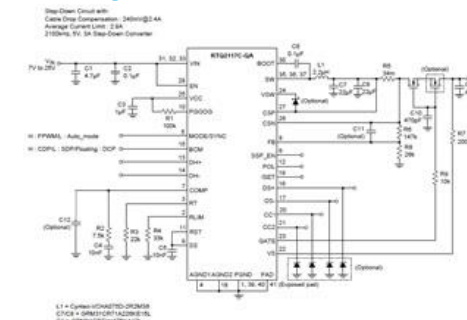
RTQ2117C-QA

USB Type-C DFP with Charging Port Controller and Integrated 36V 3.5A Synchronous Buck Converter

Key Spec

	RTQ2117C-QA
Status	Active
Vin (min) (V)	3
Vin (max) (V)	36
Number of Outputs	1
Vout (min) (V)	0.8
Vout (max) (V)	5.5
Output Adj. Method	Resistor
Iout (max) (A)	3
Current Limit (typ) (A)	3.3
Freq (typ) (kHz)	2200

Simplified Circuit



Application

- Automotive Car Chargers
- USB Power Chargers

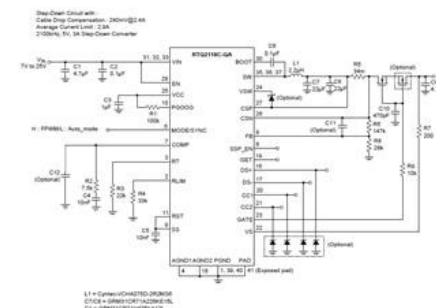
RTQ2118C-QA

USB Type-C DFP with Charging Port Controller and Integrated 36V 3.5A Synchronous Buck Converter

Key Spec

	RTQ2118C-QA
Status	Active
Vin (min) (V)	3
Vin (max) (V)	36
Number of Outputs	1
Vout (min) (V)	0.8
Vout (max) (V)	5.5
Output Adj. Method	Resistor
Iout (max) (A)	3
Current Limit (typ) (A)	3.3
Freq (typ) (kHz)	2200

Simplified Circuit



Application

- Automotive Car Chargers
- USB Power Chargers



More Info



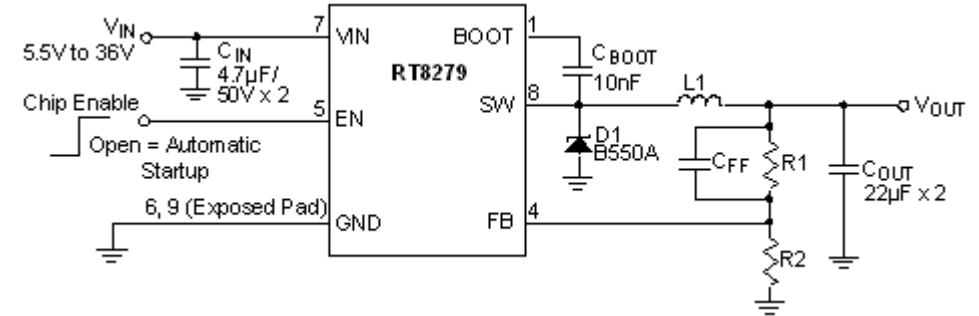
WWW

RT8279 5A, 36V, 500kHz Step-Down Converter

Key Spec

	RT8279
Status	Active
Vin (min) (V)	5.5
Vin (max) (V)	36
Number of Outputs	1
Vout (min) (V)	1.222
Vout (max) (V)	26
Output Adj. Method	Resistor
Iout (max) (A)	5
Current Limit (typ) (A)	7.5
Freq (typ) (kHz)	500

Simplified Circuit



Application

- Distributive Power Systems
- Battery Charger
- DSL Modems
- Pre-regulator for Linear Regulators

Evaluation Board





More Info



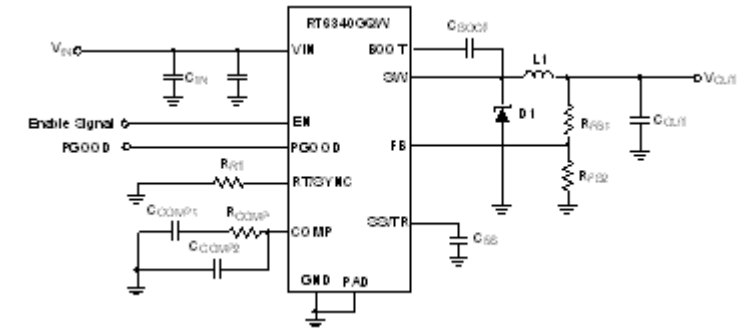
WWW

RT6340 42VIN, 0.5A, Asynchronous Step-Down Converter with Low Quiescent Current

Key Spec

	RT6340
Status	Active
Vin (min) (V)	4
Vin (max) (V)	42
Number of Outputs	1
Vout (min) (V)	0.8
Vout (max) (V)	42
Output Adj. Method	Resistor
Iout (max) (A)	0.5
Current Limit (typ) (A)	0.9
Freq (min) (kHz)	100
Freq (max) (kHz)	2500

Simplified Circuit



Application

- 12V and 24V Power Systems
- GPS, Entertainment





More Info



WWW

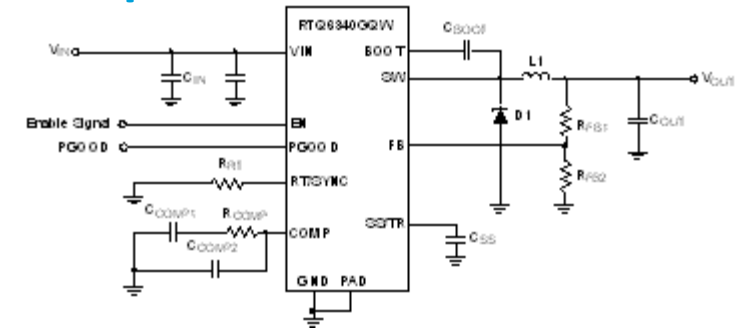
RTQ6340

42VIN, 0.5A, Asynchronous Step-Down Converter with Low Quiescent Current

Key Spec

	RTQ6340
Status	Active
Vin (min) (V)	4
Vin (max) (V)	42
Number of Outputs	1
Vout (min) (V)	0.8
Vout (max) (V)	42
Output Adj. Method	Resistor
Iout (max) (A)	0.5
Current Limit (typ) (A)	0.9
Freq (min) (kHz)	100
Freq (max) (kHz)	2500

Simplified Circuit



Application

- Communications and Industrial 12V, 24V Power Systems
- Industrial Automation and Motor Control
- Vehicle Accessories : GPS, Entertainment



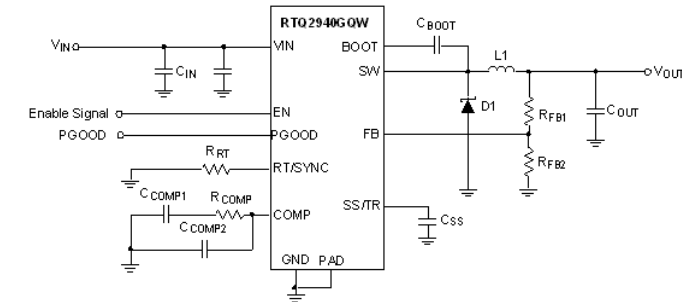
RTQ2940-QA

42VIN, 0.5A, Asynchronous Step-Down Converter with Low Quiescent Current

Key Spec

	RTQ2940-QA
Status	Active
Vin (min) (V)	4
Vin (max) (V)	42
Number of Outputs	1
Vout (min) (V)	0.8
Vout (max) (V)	42
Output Adj. Method	Resistor
Iout (max) (A)	0.5
Current Limit (typ) (A)	0.9
Freq (min) (kHz)	100
Freq (max) (kHz)	2500

Simplified Circuit



Application

- Automotive, Communications and Industrial 12V and 24V Power Systems
- Industrial Automation and Motor Control
- Vehicle Accessories : GPS, Entertainment



More Info



WWW

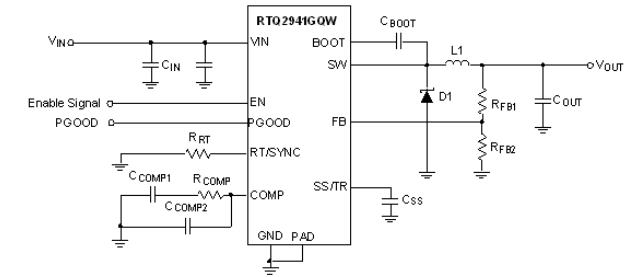
RTQ2941-QA

42VIN, 1.5A, Asynchronous Step-Down Converter with Low Quiescent Current

Key Spec

	RTQ2941-QA
Status	Active
Vin (min) (V)	4
Vin (max) (V)	42
Number of Outputs	1
Vout (min) (V)	0.8
Vout (max) (V)	42
Output Adj. Method	Resistor
Iout (max) (A)	1.5
Current Limit (typ) (A)	2.7
Freq (min) (kHz)	100
Freq (max) (kHz)	2500

Simplified Circuit



Application

- Automotive, Communications and Industrial 12V and 24V Power Systems
- Industrial Automation and Motor Control
- Vehicle Accessories : GPS, Entertainment





More Info



WWW

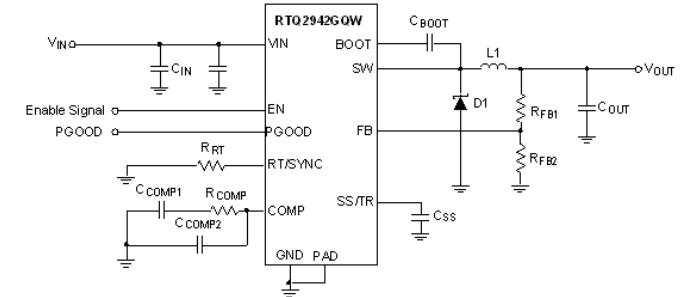
RTQ2942-QA

42VIN, 2.5A, Asynchronous Step-Down Converter with Low Quiescent Current

Key Spec

	RTQ2942-QA
Status	Active
Vin (min) (V)	4
Vin (max) (V)	42
Number of Outputs	1
Vout (min) (V)	0.8
Vout (max) (V)	42
Output Adj. Method	Resistor
Iout (max) (A)	2.5
Current Limit (typ) (A)	4.5
Freq (min) (kHz)	100
Freq (max) (kHz)	2500

Simplified Circuit



Application

- Automotive, Communications and Industrial 12V and 24V Power Systems
- Industrial Automation and Motor Control
- Vehicle Accessories : GPS, Entertainment



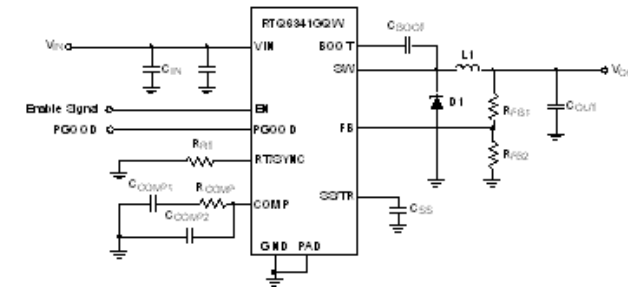
RTQ6341

42VIN, 1.5A, Asynchronous Step-Down Converter with Low Quiescent Current

Key Spec

	RTQ6341
Status	Active
Vin (min) (V)	4
Vin (max) (V)	42
Number of Outputs	1
Vout (min) (V)	0.8
Vout (max) (V)	42
Output Adj. Method	Resistor
Iout (max) (A)	1.5
Current Limit (typ) (A)	2.7
Freq (min) (kHz)	100
Freq (max) (kHz)	2500

Simplified Circuit



Application

- Communications and Industrial 12V, 24V Power Systems
- Industrial Automation and Motor Control
- Vehicle Accessories : GPS, Entertainment

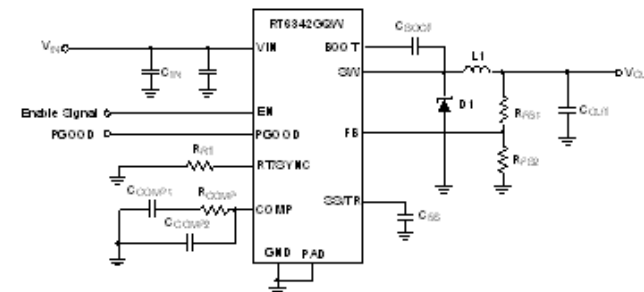
RT6342

42VIN, 2.5A, Asynchronous Step-Down Converter with Low Quiescent Current

Key Spec

	RT6342
Status	Active
Vin (min) (V)	4
Vin (max) (V)	42
Number of Outputs	1
Vout (min) (V)	0.8
Vout (max) (V)	42
Output Adj. Method	Resistor
Iout (max) (A)	2.5
Current Limit (typ) (A)	4.5
Freq (min) (kHz)	100
Freq (max) (kHz)	2500

Simplified Circuit



Application

- 12V and 24V Power Systems
- GPS, Entertainment

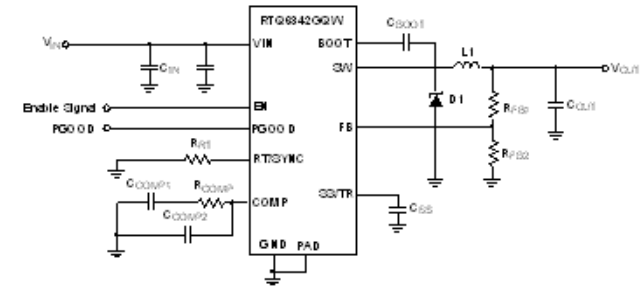
RTQ6342

42VIN, 2.5A, Asynchronous Step-Down Converter with Low Quiescent Current

Key Spec

	RTQ6342
Status	Active
Vin (min) (V)	4
Vin (max) (V)	42
Number of Outputs	1
Vout (min) (V)	0.8
Vout (max) (V)	42
Output Adj. Method	Resistor
Iout (max) (A)	2.5
Current Limit (typ) (A)	4.5
Freq (min) (kHz)	100
Freq (max) (kHz)	2500

Simplified Circuit



Application

- Communications and Industrial 12V, 24V Power Systems
- Industrial Automation and Motor Control
- Vehicle Accessories : GPS, Entertainment

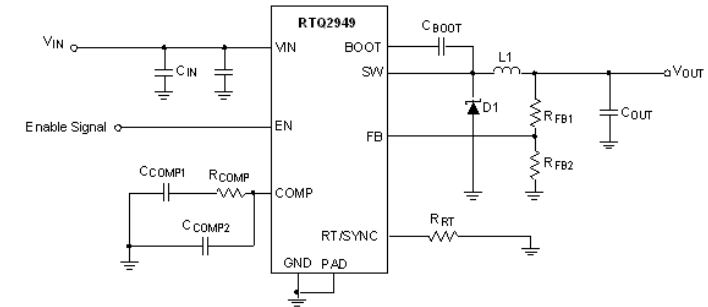
RTQ2949-QA

42VIN, 3A, Asynchronous Step-Down Converter with Low Quiescent Current

Key Spec

	RTQ2949-QA
Status	Active
Vin (min) (V)	4
Vin (max) (V)	42
Number of Outputs	1
Vout (min) (V)	0.8
Vout (max) (V)	42
Output Adj. Method	Resistor
Iout (max) (A)	3
Current Limit (typ) (A)	4.5
Freq (min) (kHz)	100
Freq (max) (kHz)	2500

Simplified Circuit



Application

- Automotive, Communications and Industrial 12V, 24V Power Systems
- Industrial Automation and Motor Control
- Vehicle Accessories : GPS, Entertainment
- USB Charging Ports and Battery Chargers

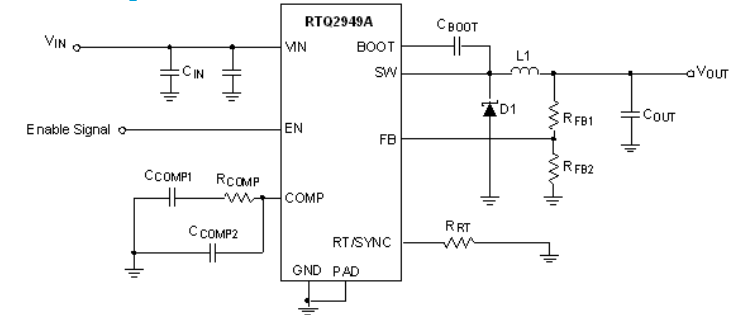
RTQ2949A-QA

42VIN, 3A, Asynchronous Step-Down Converter with Low Quiescent Current

Key Spec

	RTQ2949A-QA
Status	Active
Vin (min) (V)	4
Vin (max) (V)	42
Number of Outputs	1
Vout (min) (V)	0.8
Vout (max) (V)	42
Output Adj. Method	Resistor
Iout (max) (A)	3
Current Limit (typ) (A)	4.5
Freq (min) (kHz)	100
Freq (max) (kHz)	2500

Simplified Circuit



Application

- Automotive, Communications and Industrial 12V, 24V Power Systems
- Industrial Automation and Motor Control
- Vehicle Accessories : GPS, Entertainment
- USB Charging Ports and Battery Chargers

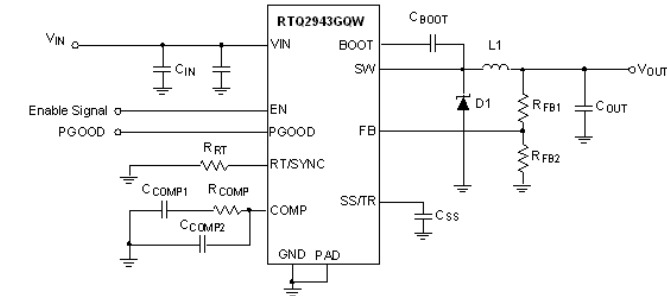
RTQ2943-QA

42VIN, 3.5A, Asynchronous Step-Down Converter with Low Quiescent Current

Key Spec

	RTQ2943-QA
Status	Active
Vin (min) (V)	4
Vin (max) (V)	42
Number of Outputs	1
Vout (min) (V)	0.8
Vout (max) (V)	42
Output Adj. Method	Resistor
Iout (max) (A)	3.5
Current Limit (typ) (A)	5.5
Freq (min) (kHz)	100
Freq (max) (kHz)	2500

Simplified Circuit



Application

- Automotive, Communications and Industrial 12V and 24V Power Systems
- Industrial Automation and Motor Control
- Vehicle Accessories : GPS, Entertainment



More Info



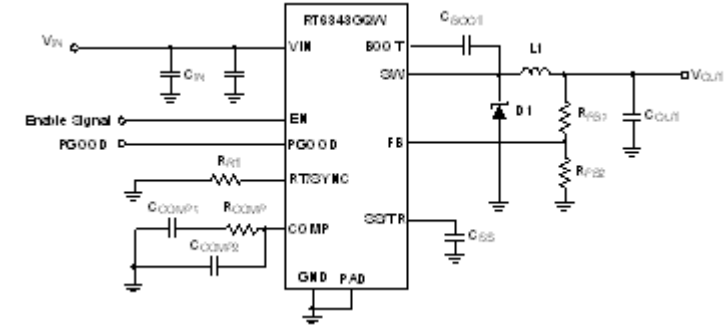
WWW

RT6343 42VIN, 3.5A, Asynchronous Step-Down Converter with Low Quiescent Current

Key Spec

	RT6343
Status	Active
Vin (min) (V)	4
Vin (max) (V)	42
Number of Outputs	1
Vout (min) (V)	0.8
Vout (max) (V)	42
Output Adj. Method	Resistor
Iout (max) (A)	3.5
Current Limit (typ) (A)	5.5
Freq (min) (kHz)	100
Freq (max) (kHz)	2500

Simplified Circuit



Application

- 12V and 24V Power Systems
- GPS, Entertainment



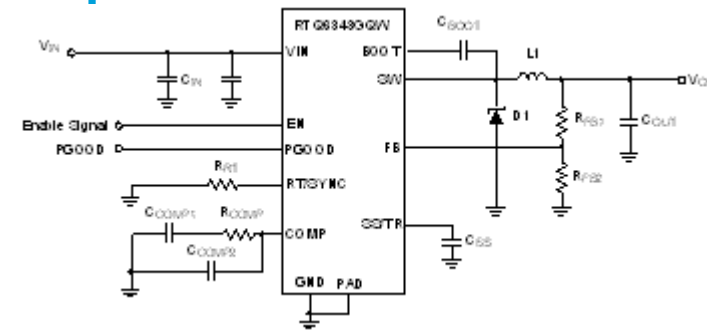
RTQ6343

42VIN, 3.5A, Asynchronous Step-Down Converter with Low Quiescent Current

Key Spec

	RTQ6343
Status	Active
Vin (min) (V)	4
Vin (max) (V)	42
Number of Outputs	1
Vout (min) (V)	0.8
Vout (max) (V)	42
Output Adj. Method	Resistor
Iout (max) (A)	3.5
Current Limit (typ) (A)	5.5
Freq (min) (kHz)	100
Freq (max) (kHz)	2500

Simplified Circuit



Application

- Communications and Industrial 12V, 24V Power Systems
- Industrial Automation and Motor Control
- Vehicle Accessories : GPS, Entertainment



More Info



WWW

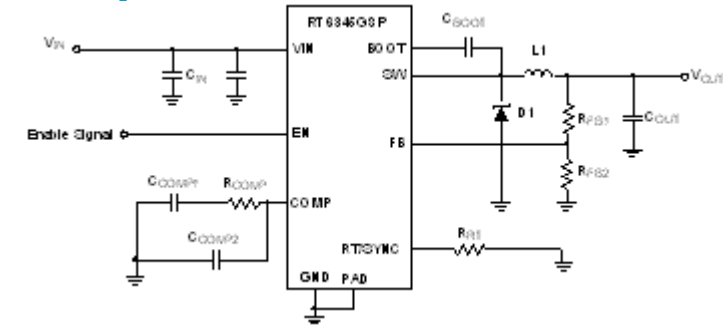
RT6345

42VIN, 5A, Asynchronous Step-Down Converter with Low Quiescent Current

Key Spec

	RT6345
Status	Active
Vin (min) (V)	4
Vin (max) (V)	42
Number of Outputs	1
Vout (min) (V)	0.8
Vout (max) (V)	42
Output Adj. Method	Resistor
Iout (max) (A)	5
Current Limit (typ) (A)	7.5
Freq (min) (kHz)	100
Freq (max) (kHz)	2500

Simplified Circuit



Application

- 12V and 24V Power Systems
- GPS, Entertainment



BACK

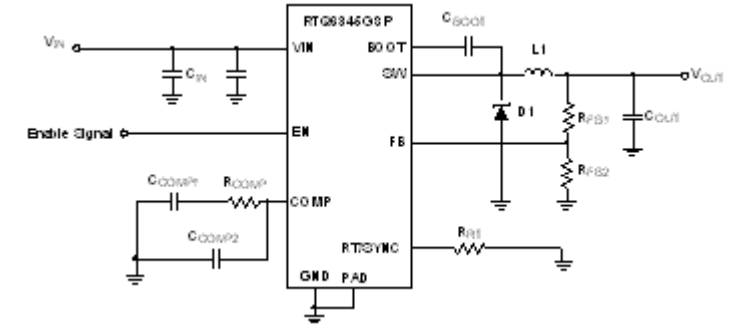
RTQ6345

42VIN, 5A, Asynchronous Step-Down Converter with Low Quiescent Current

Key Spec

	RTQ6345
Status	Active
Vin (min) (V)	4
Vin (max) (V)	42
Number of Outputs	1
Vout (min) (V)	0.8
Vout (max) (V)	42
Output Adj. Method	Resistor
Iout (max) (A)	5
Current Limit (typ) (A)	7.5
Freq (min) (kHz)	100
Freq (max) (kHz)	2500

Simplified Circuit



Application

- Communications and Industrial 12V, 24V Power Systems
- Industrial Automation and Motor Control
- Vehicle Accessories : GPS, Entertainment

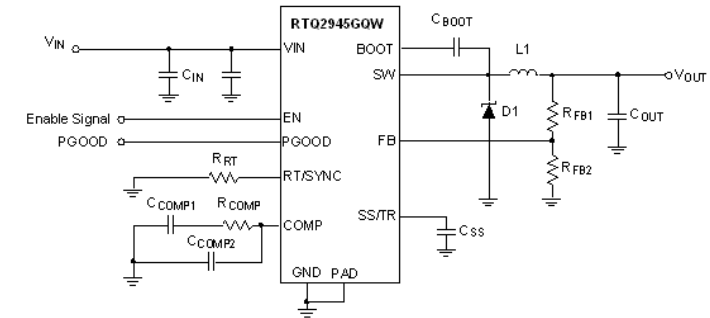
RTQ2945-QA

42VIN, 5A, Asynchronous Step-Down Converter with Low Quiescent Current

Key Spec

	RTQ2945-QA
Status	Active
Vin (min) (V)	4
Vin (max) (V)	42
Number of Outputs	1
Vout (min) (V)	0.8
Vout (max) (V)	42
Output Adj. Method	Resistor
Iout (max) (A)	5
Current Limit (typ) (A)	7.5
Freq (min) (kHz)	100
Freq (max) (kHz)	2500

Simplified Circuit



Application

- Automotive, Communications and Industrial 12V and 24V Power Systems
- Industrial Automation and Motor Control
- Vehicle Accessories : GPS, Entertainment
- USB Charging Ports and Battery Chargers

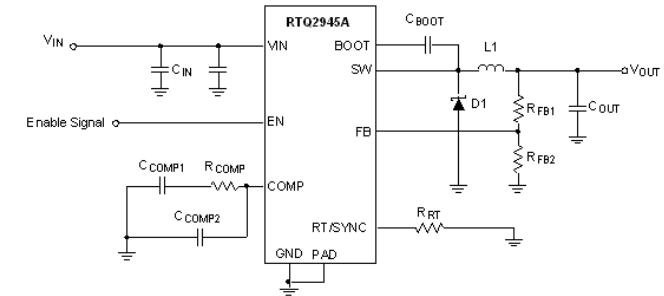
RTQ2945A-QA

42VIN, 5A, Asynchronous Step-Down Converter with Low Quiescent Current

Key Spec

	RTQ2945A-QA
Status	Active
Vin (min) (V)	4
Vin (max) (V)	42
Number of Outputs	1
Vout (min) (V)	0.8
Vout (max) (V)	42
Output Adj. Method	Resistor
Iout (max) (A)	5
Current Limit (typ) (A)	7.5
Freq (min) (kHz)	100
Freq (max) (kHz)	2500

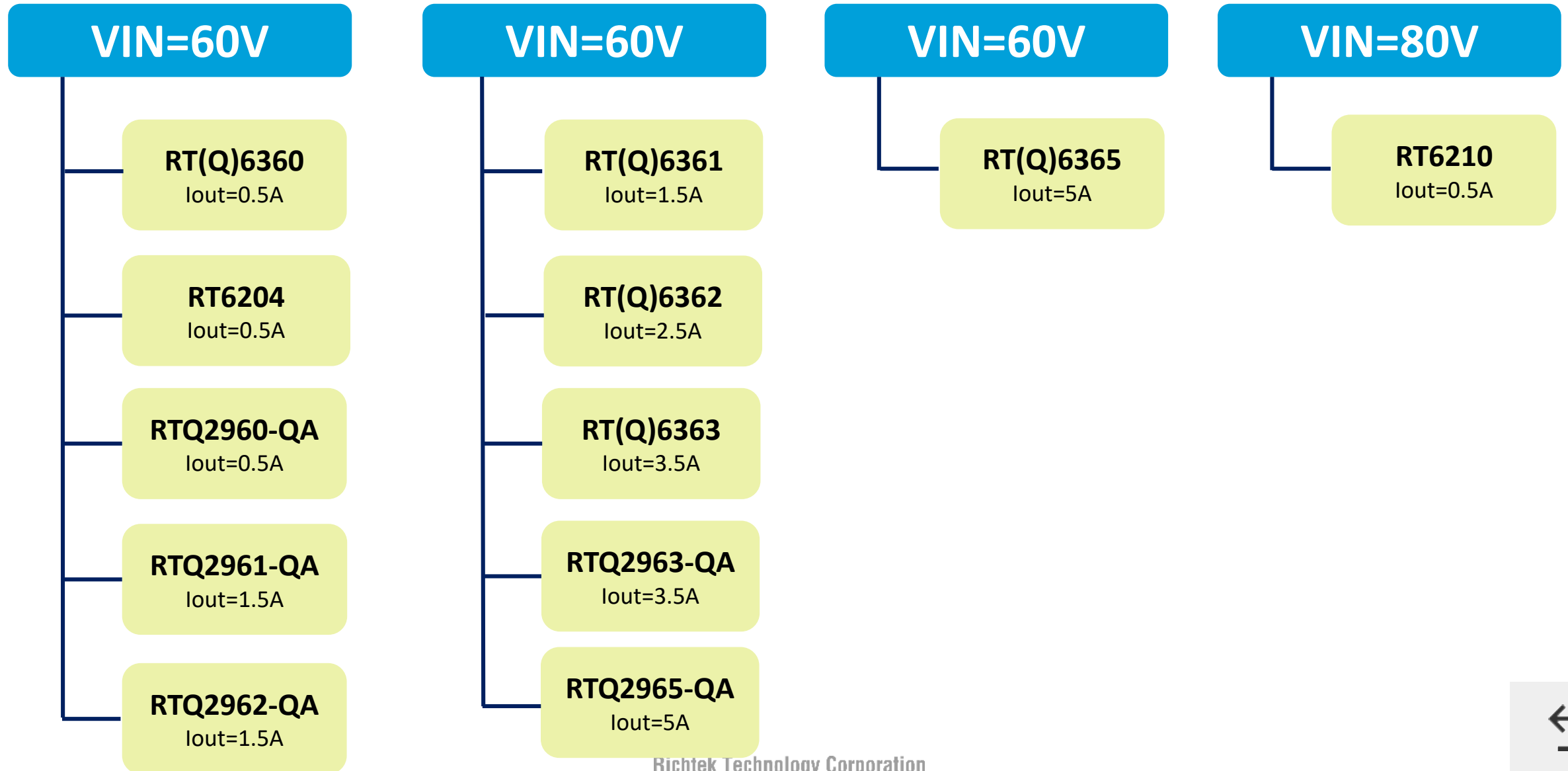
Simplified Circuit



Application

- Automotive, Communications and Industrial 12V and 24V Power Systems
- Industrial Automation and Motor Control
- Vehicle Accessories : GPS, Entertainment
- USB Charging Ports and Battery Chargers

Buck Converter $V_{in} \geq 60V$



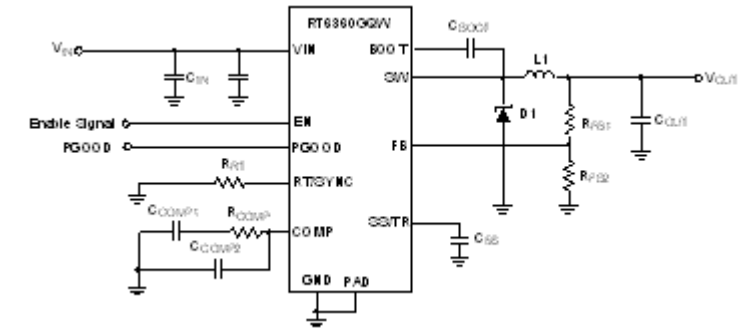
RT6360

60VIN, 0.5A, Asynchronous Step-Down Converter with Low Quiescent Current

Key Spec

	RT6360
Status	Active
Vin (min) (V)	4
Vin (max) (V)	60
Number of Outputs	1
Vout (min) (V)	0.8
Vout (max) (V)	60
Output Adj. Method	Resistor
Iout (max) (A)	0.5
Current Limit (typ) (A)	0.9
Freq (min) (kHz)	100
Freq (max) (kHz)	2500

Simplified Circuit



Application

- 12V, 24V and 48V Power Systems
- GPS, Entertainment

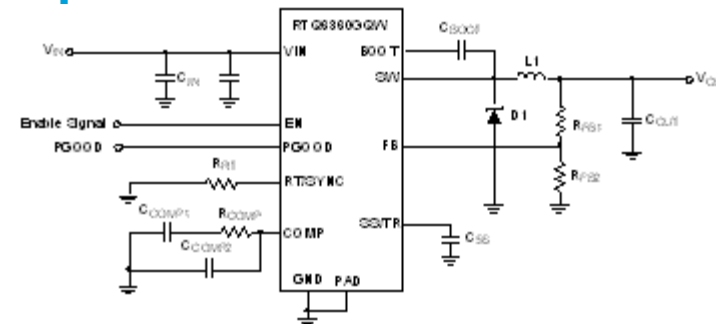
RTQ6360

60VIN, 0.5A, Asynchronous Step-Down Converter with Low Quiescent Current

Key Spec

	RTQ6360
Status	Active
Vin (min) (V)	4
Vin (max) (V)	60
Number of Outputs	1
Vout (min) (V)	0.8
Vout (max) (V)	60
Output Adj. Method	Resistor
Iout (max) (A)	0.5
Current Limit (typ) (A)	0.9
Freq (min) (kHz)	100
Freq (max) (kHz)	2500

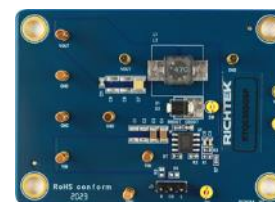
Simplified Circuit



Application

- Communications and Industrial 12V, 24V, 48V Power Systems
- Industrial Automation and Motor Control
- Vehicle Accessories : GPS, Entertainment

Evaluation Board



EVB_RTQ6360GSP



EVB_RTQ6360GQW



More Info



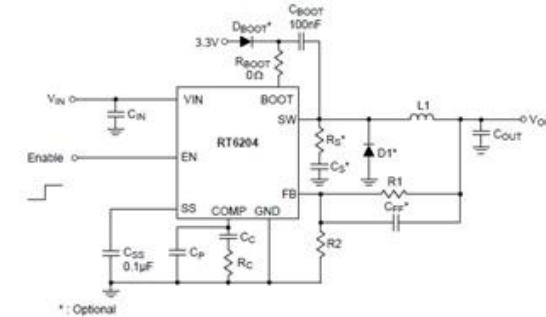
WWW

RT6204 500mA, 60V, 350kHz Synchronous Step-Down Converter

Key Spec

	RT6204
Status	Active
Vin (min) (V)	5.2
Vin (max) (V)	60
Number of Outputs	1
Vout (min) (V)	0.8
Vout (max) (V)	50
Output Adj. Method	Resistor
Iout (max) (A)	0.5
Current Limit (typ) (A)	0.86
Freq (typ) (kHz)	350

Simplified Circuit



Application

- 4-20mA Loop-Powered Sensors
- OBD-II Port Power Supplies
- Low-Power Standby or Bias Voltage Supplies
- Industrial Process Control, Metering, and Security Systems
- High-Voltage LDO Replacement
- Telecommunications Systems
- Commercial Vehicle Power Supplies
- General Purpose Wide Input Voltage Regulation

Evaluation Board



Richtek Technology Corporation



BACK

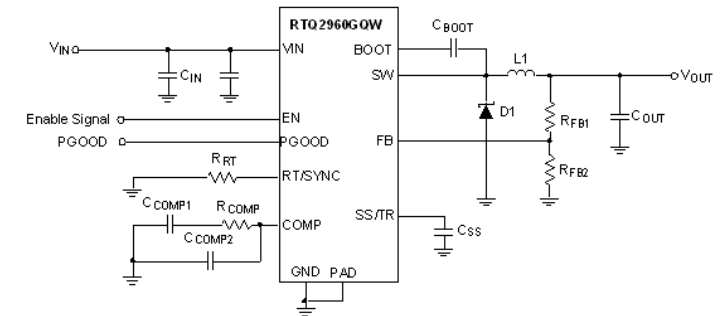
RTQ2960-QA

60VIN, 0.5A, Asynchronous Step-Down Converter with Low Quiescent Current

Key Spec

	RTQ2960-QA
Status	Active
Vin (min) (V)	4
Vin (max) (V)	60
Number of Outputs	1
Vout (min) (V)	0.8
Vout (max) (V)	60
Output Adj. Method	Resistor
Iout (max) (A)	0.5
Current Limit (typ) (A)	0.9
Freq (min) (kHz)	100
Freq (max) (kHz)	2500

Simplified Circuit



Application

- Automotive, Communications and Industrial 12V, 24V, 48V Power Systems
- Industrial Automation and Motor Control
- Vehicle Accessories : GPS, Entertainment

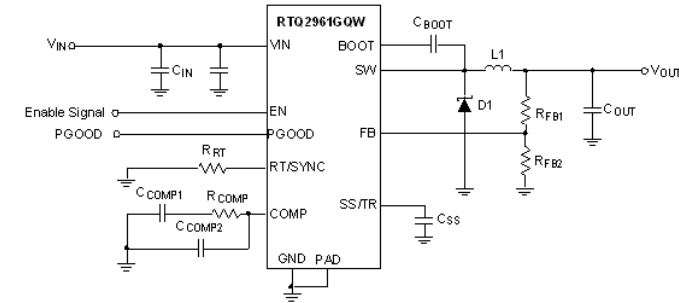
RTQ2961-QA

60VIN, 1.5A, Asynchronous Step-Down Converter with Low Quiescent Current

Key Spec

	RTQ2961-QA
Status	Active
Vin (min) (V)	4
Vin (max) (V)	60
Number of Outputs	1
Vout (min) (V)	0.8
Vout (max) (V)	60
Output Adj. Method	Resistor
Iout (max) (A)	1.5
Current Limit (typ) (A)	2.7
Freq (min) (kHz)	100
Freq (max) (kHz)	2500

Simplified Circuit



Application

- Automotive, Communications and Industrial 12V, 24V, 48V Power Systems
- Industrial Automation and Motor Control
- Vehicle Accessories : GPS, Entertainment

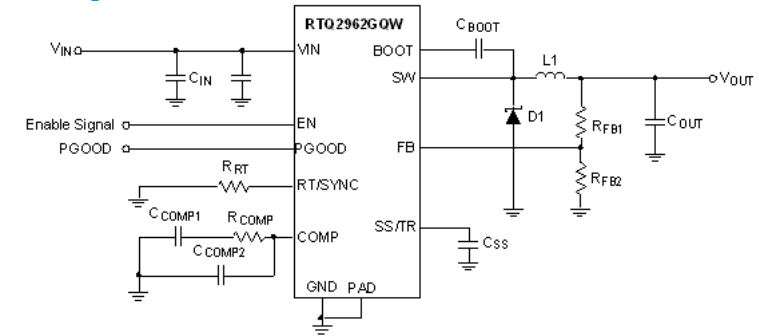
RTQ2962-QA

60VIN, 2.5A, Asynchronous Step-Down Converter with Low Quiescent Current

Key Spec

	RTQ2962-QA
Status	Active
Vin (min) (V)	4
Vin (max) (V)	60
Number of Outputs	1
Vout (min) (V)	0.8
Vout (max) (V)	60
Output Adj. Method	Resistor
Iout (max) (A)	2.5
Current Limit (typ) (A)	4.5
Freq (min) (kHz)	100
Freq (max) (kHz)	2500

Simplified Circuit



Application

- Automotive, Communications and Industrial 12V, 24V, 48V Power Systems
- Industrial Automation and Motor Control
- Vehicle Accessories : GPS, Entertainment



More Info



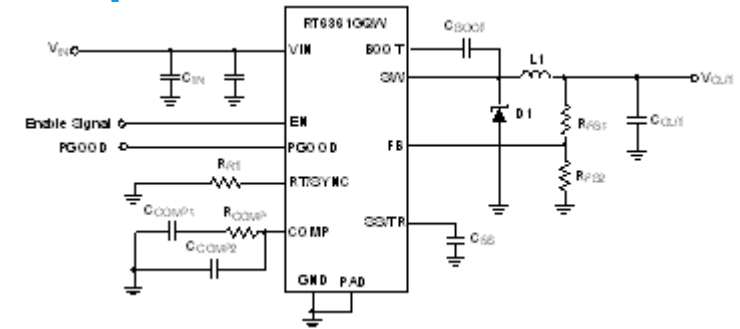
WWW

RT6361 60VIN, 1.5A, Asynchronous Step-Down Converter with Low Quiescent Current

Key Spec

	RT6361
Status	Active
Vin (min) (V)	4
Vin (max) (V)	60
Number of Outputs	1
Vout (min) (V)	0.8
Vout (max) (V)	60
Output Adj. Method	Resistor
Iout (max) (A)	1.5
Current Limit (typ) (A)	2.7
Freq (min) (kHz)	100
Freq (max) (kHz)	2500

Simplified Circuit



Application

- 12V, 24V and 48V Power Systems
- GPS, Entertainment



BACK



More Info



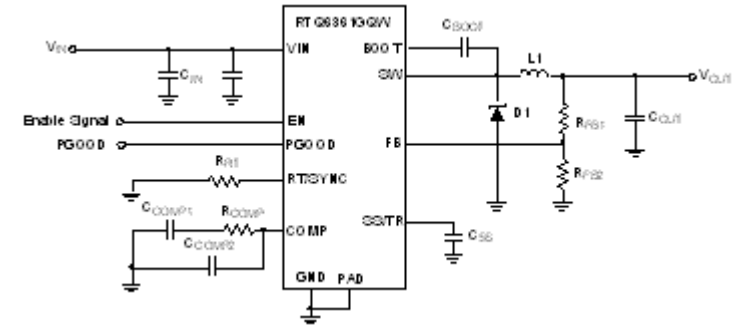
WWW

RTQ6361 60VIN, 1.5A, Asynchronous Step-Down Converter with Low Quiescent Current

Key Spec

	RTQ6361
Status	Active
Vin (min) (V)	4
Vin (max) (V)	60
Number of Outputs	1
Vout (min) (V)	0.8
Vout (max) (V)	60
Output Adj. Method	Resistor
Iout (max) (A)	1.5
Current Limit (typ) (A)	2.7
Freq (min) (kHz)	100
Freq (max) (kHz)	2500

Simplified Circuit



Application

- Communications and Industrial 12V, 24V, 48V Power Systems
- Industrial Automation and Motor Control
- Vehicle Accessories : GPS, Entertainment

Evaluation Board



EVB_RTQ6361GSP



EVB_RTQ6361GQW





More Info



WWW

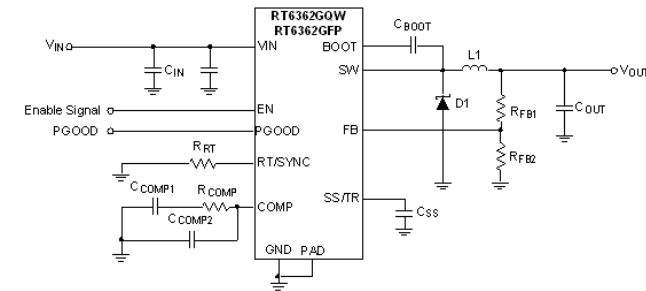
RT6362

60VIN, 2.5A, Asynchronous Step-Down Converter with Low Quiescent Current

Key Spec

	RT6362
Status	Active
Vin (min) (V)	4
Vin (max) (V)	60
Number of Outputs	1
Vout (min) (V)	0.8
Vout (max) (V)	60
Output Adj. Method	Resistor
Iout (max) (A)	2.5
Current Limit (typ) (A)	4.5
Freq (min) (kHz)	100
Freq (max) (kHz)	2500

Simplified Circuit



Application

- 12V, 24V and 48V Power Systems
- GPS, Entertainment





More Info



WWW

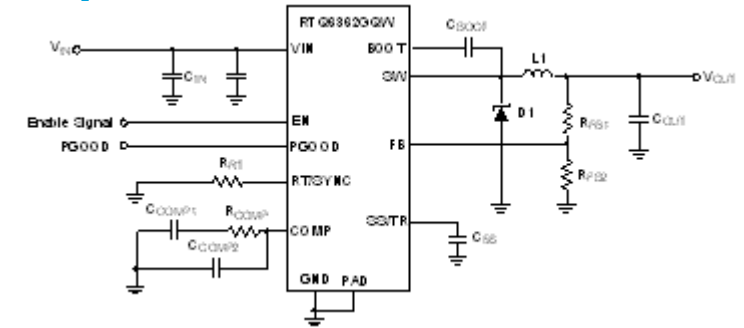
RTQ6362

60VIN, 2.5A, Asynchronous Step-Down Converter with Low Quiescent Current

Key Spec

	RTQ6362
Status	Active
Vin (min) (V)	4
Vin (max) (V)	60
Number of Outputs	1
Vout (min) (V)	0.8
Vout (max) (V)	60
Output Adj. Method	Resistor
Iout (max) (A)	2.5
Current Limit (typ) (A)	4.5
Freq (min) (kHz)	100
Freq (max) (kHz)	2500

Simplified Circuit



Application

- Communications and Industrial 12V, 24V, 48V Power Systems
- Industrial Automation and Motor Control
- Vehicle Accessories : GPS, Entertainment



BACK



More Info



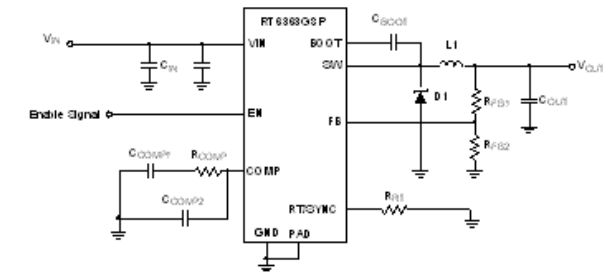
WWW

RT6363 60VIN, 3.5A, Asynchronous Step-Down Converter with Low Quiescent Current

Key Spec

	RT6363
Status	Active
Vin (min) (V)	4
Vin (max) (V)	60
Number of Outputs	1
Vout (min) (V)	0.8
Vout (max) (V)	60
Output Adj. Method	Resistor
Iout (max) (A)	3.5
Current Limit (typ) (A)	5.5
Freq (min) (kHz)	100
Freq (max) (kHz)	2500

Simplified Circuit



Application

- 12V, 24V and 48V Power Systems
- GPS, Entertainment



BACK



More Info



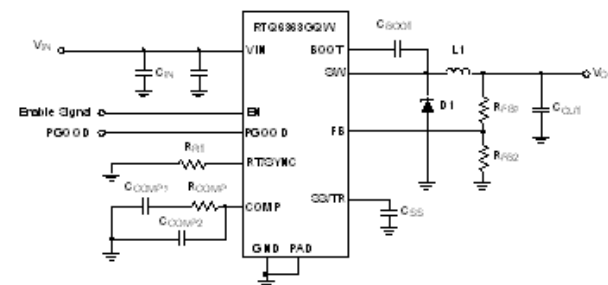
WWW

RTQ6363 60VIN, 3.5A, Asynchronous Step-Down Converter with Low Quiescent Current

Key Spec

	RTQ6363
Status	Active
Vin (min) (V)	4
Vin (max) (V)	60
Number of Outputs	1
Vout (min) (V)	0.8
Vout (max) (V)	60
Output Adj. Method	Resistor
Iout (max) (A)	3.5
Current Limit (typ) (A)	5.5
Freq (min) (kHz)	100
Freq (max) (kHz)	2500

Simplified Circuit



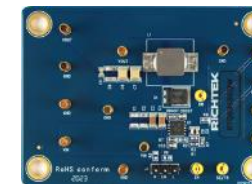
Application

- Communications and Industrial 12V, 24V and 48V Power Systems
- Industrial Automation and Motor Control
- Vehicle Accessories : GPS, Entertainment

Evaluation Board



EVB_RTQ6363GSP



EVB_RTQ6363GQW





More Info



WWW

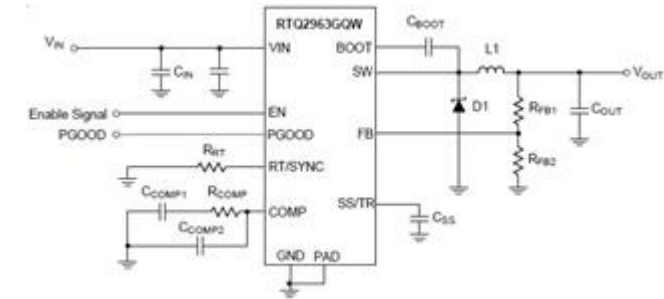
RTQ2963-QA

60VIN, 3.5A, Asynchronous Step-Down Converter with Low Quiescent Current

Key Spec

	RTQ2963-QA
Status	Active
Vin (min) (V)	4
Vin (max) (V)	60
Number of Outputs	1
Vout (min) (V)	0.8
Vout (max) (V)	60
Output Adj. Method	Resistor
Iout (max) (A)	3.5
Current Limit (typ) (A)	5.5
Freq (min) (kHz)	100
Freq (max) (kHz)	2500

Simplified Circuit



Application

- Automotive, Communications and Industrial 12V, 24V and 48V Power Systems
- Industrial Automation and Motor Control
- Vehicle Accessories : GPS, Entertainment





More Info



WWW

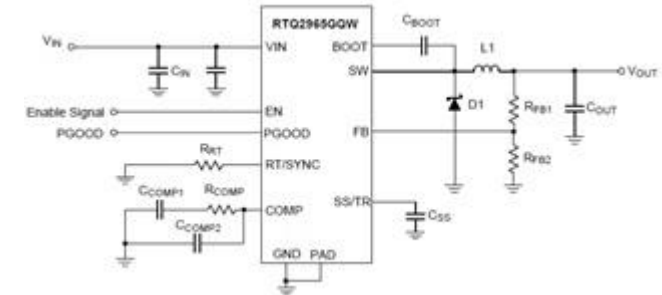
RTQ2965-QA

60VIN, 5A, Asynchronous Step-Down Converter with Low Quiescent Current

Key Spec

	RTQ2965-QA
Status	Active
Vin (min) (V)	4
Vin (max) (V)	60
Number of Outputs	1
Vout (min) (V)	0.8
Vout (max) (V)	60
Output Adj. Method	Resistor
Iout (max) (A)	5
Current Limit (typ) (A)	7.5
Freq (min) (kHz)	100
Freq (max) (kHz)	2500

Simplified Circuit



Application

- Automotive, Communications and Industrial 12V, 24V and 48V Power Systems
- Industrial Automation and Motor Control
- Vehicle Accessories : GPS, Entertainment



BACK



More Info



WWW

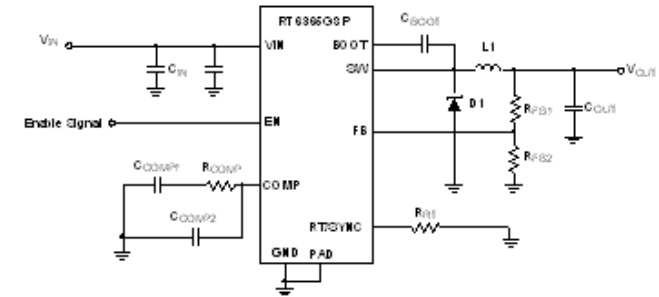
RT6365

60VIN, 5A, Asynchronous Step-Down Converter with Low Quiescent Current

Key Spec

	RT6365
Status	Active
Vin (min) (V)	4
Vin (max) (V)	60
Number of Outputs	1
Vout (min) (V)	0.8
Vout (max) (V)	60
Output Adj. Method	Resistor
Iout (max) (A)	5
Current Limit (typ) (A)	7.5
Freq (min) (kHz)	100
Freq (max) (kHz)	2500

Simplified Circuit



Application

- 12V, 24V and 48V Power Systems
- GPS, Entertainment



BACK

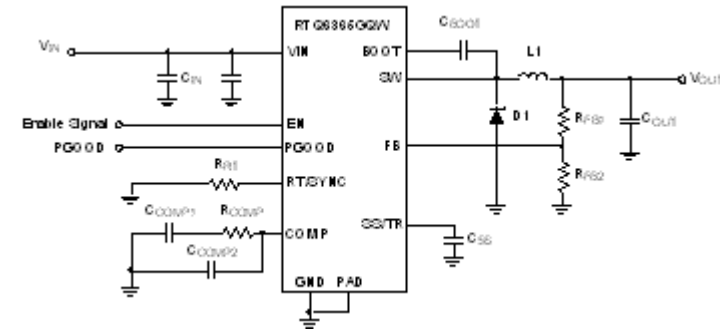
RTQ6365

60VIN, 5A, Asynchronous Step-Down Converter with Low Quiescent Current

Key Spec

	RTQ6365
Status	Active
Vin (min) (V)	4
Vin (max) (V)	60
Number of Outputs	1
Vout (min) (V)	0.8
Vout (max) (V)	60
Output Adj. Method	Resistor
Iout (max) (A)	5
Current Limit (typ) (A)	7.5
Freq (min) (kHz)	100
Freq (max) (kHz)	2500

Simplified Circuit



Application

- Communications and Industrial 12V, 24V and 48V Power Systems
- Industrial Automation and Motor Control
- Vehicle Accessories : GPS, Entertainment

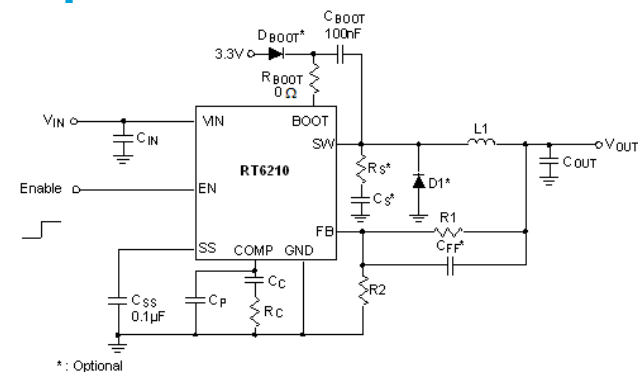
RT6210

500mA, 80V, 350kHz Synchronous Step-Down Converter

Key Spec

	RT6210
Status	Active
V _{in} (min) (V)	5.2
V _{in} (max) (V)	80
Number of Outputs	1
V _{out} (min) (V)	0.8
V _{out} (max) (V)	72
Output Adj. Method	Resistor
I _{out} (max) (A)	0.5
Current Limit (typ) (A)	0.86
Freq (typ) (kHz)	350

Simplified Circuit



Application

- 4-20mA Loop-Powered Sensors
- OBD-II Port Power Supplies
- Low-Power Standby or Bias Voltage Supplies
- Industrial Process Control, Metering, and Security Systems
- High-Voltage LDO Replacement
- Telecommunications Systems
- Commercial Vehicle Power Supplies
- General Purpose Wide Input Voltage Regulation

Boost Converter/Controller

LV Boost

RT9261B
Vout=5V

RT9276
Vout=5V w/ 2A
Ilimit

RT9278
Vout=5V w/ 2A
Ilimit

RT9266/B
Vout=6V w/
2/0.5A Ilimit

LV Boost

RT4803/A
Vout 4.4V w/
5A Ilimit

RT4812
Vout 5.5V w/
3.5A Ilimit

RT4813
Vout 5.5V w/
6A Ilimit

RT4822 NEW
Vout 5.5V w/
3A Ilimit

RT4823 NEW
Vout 5.5V w/
3A Ilimit, I2C

HV Boost

RT9277C
Vout up to 16V
w/ 1.6A Ilimit

RT9297
Vout up to 24V
w/ 3.8A Ilimit

RTQ9297
Vout up to 24V
w/ 3.8A Ilimit

RT8509/A
Vin=14V, Vout
up to 24V w/
3.5/5A Ilimit

RT4841
Vin, Vout up to
16V w/ 5.5A
Ilimit

Controller

RT8525
Vin=29V

RT8525D
Vin=25V



More Info



WWW

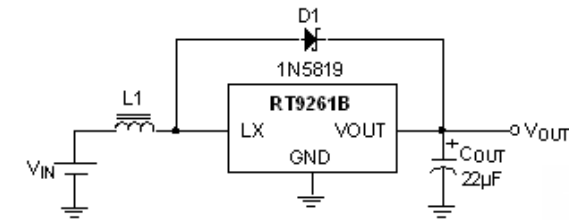
RT9261B

VFM Step-Up DC/DC Converter

Key Spec

	RT9261B
Status	Active
Vin (min) (V)	1
Vin (max) (V)	7
Vout (min) (V)	1.5
Vout (max) (V)	5
Output Adj. Method	Fixed
Iq (typ) (mA)	0.036
SW Current Limit (typ) (A)	0.16
Freq (typ) (kHz)	190
Freq (min) (kHz)	140

Simplified Circuit



Application

- Power source for battery-powered equipment
- Power source for cameras, camcorders, VCRs, PDAs, pagers, electronic data banks, and hand-held communication equipment
- Power source for appliances, which require higher voltage than that of batteries used in the appliances





More Info



WWW

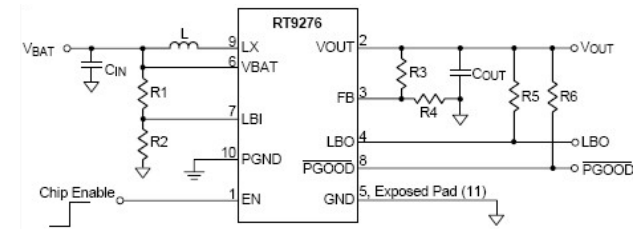
RT9276

Synchronous Boost Converter with Voltage Detector

Key Spec

	RT9276
Status	Active
Vin (min) (V)	1.2
Vin (max) (V)	5
Vout (min) (V)	3.3
Vout (max) (V)	5
Output Adj. Method	Fixed;Resistor
Iq (typ) (mA)	0.1
SW Current Limit (typ) (A)	2
Freq (typ) (kHz)	1200
Freq (min) (kHz)	960

Simplified Circuit



Application

- All One-Cell, Two-Cell and Three-Cell Alkaline, NiCd, NiMH and Single-Cell Li Batteries
- Hand-Held Devices
- WLED Flash Light



BACK



More Info



WWW

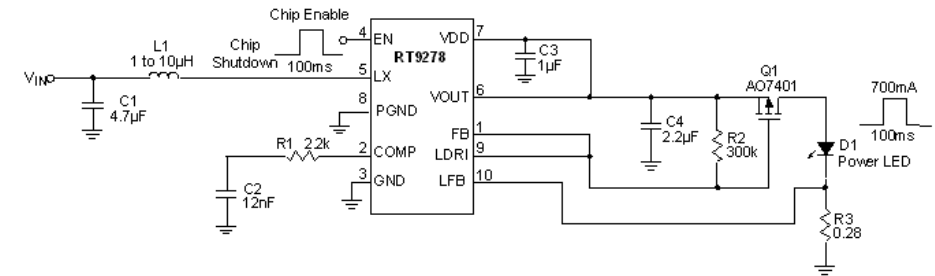
RT9278

High Efficiency Boost LDO Converter & High Power White LED Driver

Key Spec

	RT9278
Status	Active
Vin (min) (V)	1.5
Vin (max) (V)	5.5
Vout (min) (V)	2.4
Vout (max) (V)	5.5
Output Adj. Method	Resistor
Iq (typ) (mA)	0.2
SW Current Limit (typ) (A)	2
Freq (typ) (kHz)	650
Ron (typ) (Ohm)	0.24

Simplified Circuit



Application

- Digital Still Camera
- Camera White LED Flash Light
- PDAs
- Portable Device





More Info



WWW

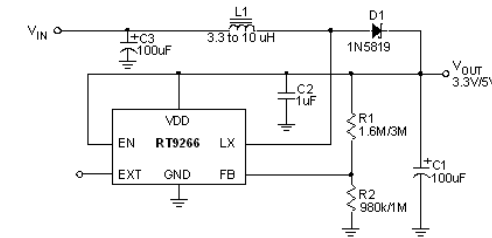
RT9266

Tiny Package, High Efficiency, Step-Up DC/DC Converter

Key Spec

	RT9266
Status	Active
Vin (min) (V)	2
Vin (max) (V)	6
Vout (min) (V)	2.6
Vout (max) (V)	6
Output Adj. Method	Resistor
Iq (typ) (mA)	0.55
SW Current Limit (typ) (A)	2
Freq (typ) (kHz)	500
Freq (min) (kHz)	425

Simplified Circuit



Application

- PDA
- DSC
- LCD Panel
- RF-Tags
- MP3
- Portable Instrument
- Wireless Equipment





More Info



WWW

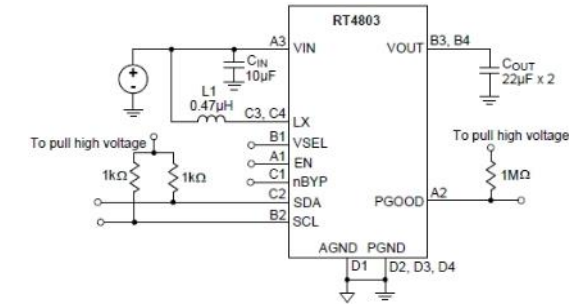
RT4803

2.5MHz, Synchronous Boost Regulator with Bypass Mode

Key Spec

	RT4803
Status	Active
Vin (min) (V)	1.8
Vin (max) (V)	5
Vout (min) (V)	2.85
Vout (max) (V)	4.4
Output Adj. Method	Digital
Iq (typ) (mA)	0.065
SW Current Limit (typ) (A)	5
Freq (typ) (kHz)	2500
Freq (min) (kHz)	2000

Simplified Circuit



Application

- Single-Cell Li-Ion, LiFePO4 Smart-Phones or Tablet
- 2.5G/3G/4G Mini-Module Data Cards





More Info



WWW

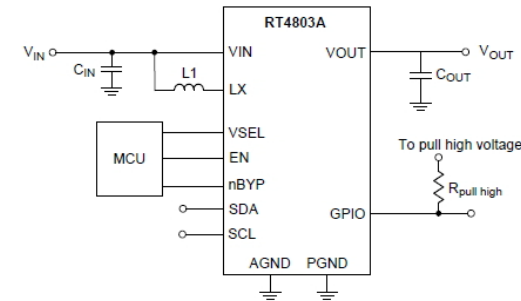
RT4803A

2.5MHz, Synchronous Boost Regulator

Key Spec

	RT4803A
Status	Active
Vin (min) (V)	1.8
Vin (max) (V)	5
Vout (min) (V)	2.85
Vout (max) (V)	4.4
Output Adj. Method	Digital
Iq (typ) (mA)	0.055
SW Current Limit (typ) (A)	4
Freq (typ) (kHz)	2500
Freq (min) (kHz)	2000

Simplified Circuit



Application

- Single-Cell Li-Ion, LiFePO4 Smart-Phones or Tablet
- 2.5G/3G/4G Mini-Module Data Cards





More Info



WWW

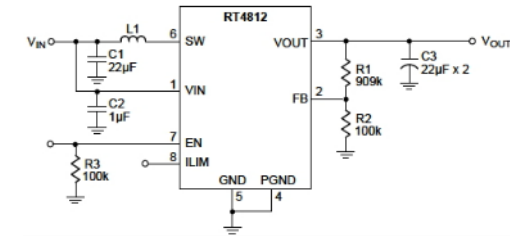
RT4812

High Efficiency Boost Converter

Key Spec

	RT4812
Status	Active
Vin (min) (V)	1.8
Vin (max) (V)	5.5
Vout (min) (V)	1.8
Vout (max) (V)	5.5
Output Adj. Method	Resistor
Iq (typ) (mA)	0.09
Freq (typ) (kHz)	500
Ron (typ) (Ohm)	0.03;0.045
Interface	I2C

Simplified Circuit



Application

- Single-Cell Li-Ion, LiFePO4 Smart-Phones
- Portable Equipment



BACK



More Info



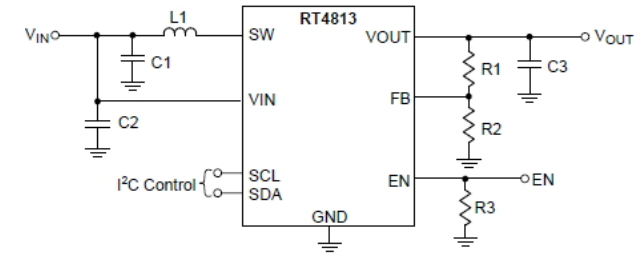
WWW

RT4813 High Efficiency Boost Converter

Key Spec

	RT4813
Status	Active
Vin (min) (V)	1.8
Vin (max) (V)	5.5
Vout (min) (V)	1.8
Vout (max) (V)	5.5
Output Adj. Method	Resistor
Iq (typ) (mA)	0.12
SW Current Limit (typ) (A)	6
Freq (typ) (kHz)	500
Ron (typ) (Ohm)	0.026;0.043

Simplified Circuit



Application

- Single-Cell Li-Ion, LiFePO4 Smart-Phones
- Portable Equipment

Evaluation Board

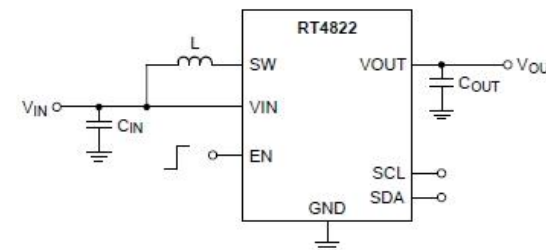


Wide Input and Ultra-Low Quiescent Current Boost Converter with High Efficiency and I²C Flexible Control

Key Spec

	RT4822
Status	Preview
V _{in} (min) (V)	1.8
V _{in} (max) (V)	5.5
V _{out} (min) (V)	3.15
V _{out} (max) (V)	5.5
Output Adj. Method	Digital
I _q (typ) (mA)	0.006
SW Current Limit (typ) (A)	0.85;2.15;3.62
Freq (typ) (kHz)	3500
Freq (min) (kHz)	3000

Simplified Circuit



Application

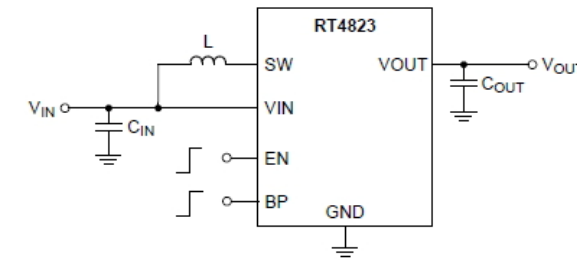
- NFC Device Power Supply
- USB Charging Ports
- PC Accessory Application (Keyboard, Mouse...etc.)
- TWS (True Wireless Stereo) Hall Sensor
- Gaming Device Sensor

Wide Input and Ultra-Low Quiescent Current Boost Converter with High Efficiency

Key Spec

	RT4823
Status	Active
V _{in} (min) (V)	1.8
V _{in} (max) (V)	5.5
V _{out} (min) (V)	5
V _{out} (max) (V)	5
Output Adj. Method	Fixed
I _q (typ) (mA)	0.004
SW Current Limit (typ) (A)	2.15
Freq (typ) (kHz)	3.5
Freq (min) (kHz)	3

Simplified Circuit



Application

- NFC Device Power Supply
- USB Charging Ports
- PC Accessory Application (Keyboard, Mouse...etc.)
- TWS (True Wireless Stereo) Hall Sensor
- Gaming Device Sensor



More Info



WWW

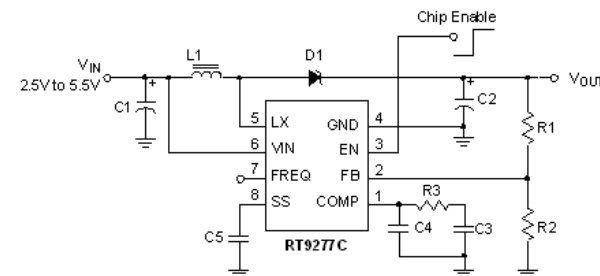
RT9277C

High Performance, Low Noise Boost Converter

Key Spec

	RT9277C	RT9277D
Status	Active	Active
Vin (min) (V)	2.5	2.5
Vin (max) (V)	5.5	5.5
Vout (min) (V)	3	3
Vout (max) (V)	16	16
Output Adj. Method	Resistor	Resistor
Iq (typ) (mA)	2	2
SW Current Limit (typ) (A)	1.6	1.6
Freq (typ) (kHz)	1200;640	1200;640
Freq (min) (kHz)	640	640

Simplified Circuit



Application

- TFT LCD panel
- OLED Display
- PCMCIA Cards
- Portable Device





More Info



WWW

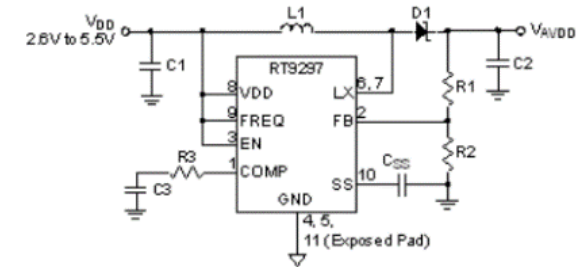
RT9297

3A High Performance Step-Up DC-DC Converter

Key Spec

	RT9297
Status	Active
Vin (min) (V)	2.6
Vin (max) (V)	5.5
Vout (min) (V)	2.6
Vout (max) (V)	24
Output Adj. Method	Resistor
Iq (typ) (mA)	0.5
SW Current Limit (typ) (A)	3.8
Freq (typ) (kHz)	1240;640
Freq (min) (kHz)	640

Simplified Circuit



Application

- Notebook Computer Displays
- LCD Monitor Panels
- LCD TV Panels



BACK



More Info



WWW

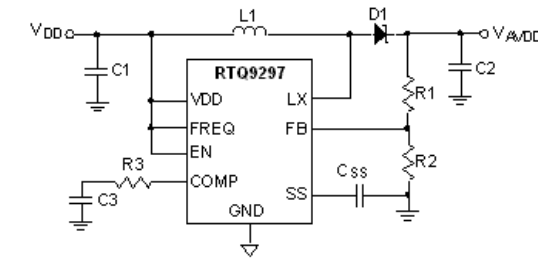
RTQ9297

3A High Performance Step-Up DC-DC Converter

Key Spec

	RTQ9297
Status	Active
Vin (min) (V)	2.6
Vin (max) (V)	5.5
Vout (min) (V)	2.6
Vout (max) (V)	24
Output Adj. Method	Resistor
Iq (typ) (mA)	0.5
SW Current Limit (typ) (A)	3.8
Freq (typ) (kHz)	1240;640
Freq (min) (kHz)	640

Simplified Circuit



Application

- Notebook Computer Displays
- LCD Monitor Panels
- LCD TV Panels





More Info



WWW

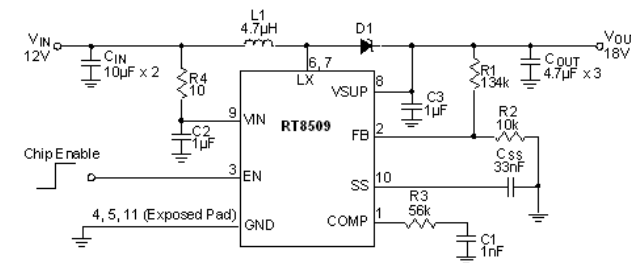
RT8509

3A, 14V Step-Up DC-DC Converter

Key Spec

	RT8509
Status	Active
Vin (min) (V)	2.8
Vin (max) (V)	14
Vout (min) (V)	3.5
Vout (max) (V)	24
Output Adj. Method	Resistor
Iq (typ) (mA)	1
SW Current Limit (typ) (A)	3.5
Freq (typ) (kHz)	1200
Freq (min) (kHz)	1000

Simplified Circuit



Application

- GIP TFT LCD Panels





More Info



WWW

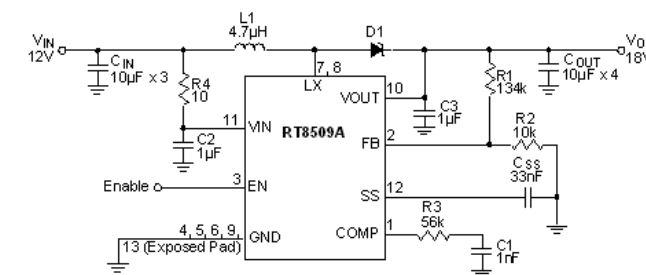
RT8509A

4.5A Step-Up DC/DC Converter

Key Spec

	RT8509A
Status	Active
Vin (min) (V)	2.8
Vin (max) (V)	14
Vout (min) (V)	3.5
Vout (max) (V)	24
Output Adj. Method	Resistor
Iq (typ) (mA)	5
SW Current Limit (typ) (A)	5
Freq (typ) (kHz)	1200
Freq (min) (kHz)	1000

Simplified Circuit



Application

- GIP TFT LCD Panels



BACK

RT4841

5A Synchronous Boost Converter with Output Isolation MOS

Key Spec

	RT4841
Status	Active
Vin (min) (V)	8.6
Vin (max) (V)	15.9
Number of Channels	1
Number of Buck Converters	0
Number of Boost Converters	1
Number of Negative Outputs	0
Number of LED Drivers	0
Number of LDO Regulators	1
Application	TV

Richtek Technology Corporation

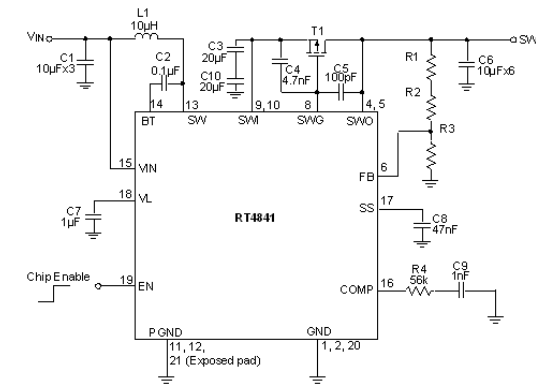


More Info



WWW

Simplified Circuit



Application

- TFT LCD Monitor Panel
- TFT LCD TV Panel



BACK



More Info



WWW

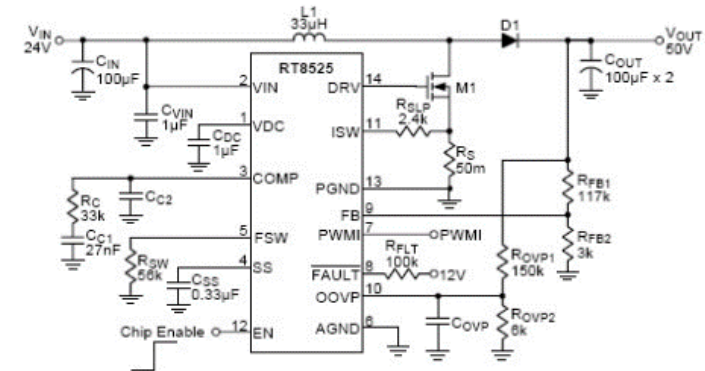
RT8525

Boost Controller with Dimming Control

Key Spec

	RT8525
Status	Active
Vin (min) (V)	4.5
Vin (max) (V)	29
Iq (typ) (mA)	1.3
VFB (typ) (V)	1.25
Freq (typ) (kHz)	200
Duty (max) (%)	90
Features	Adjustable Current Limit; Adjustable Frequency; Adjustable Soft-Start; Current Mode Control; Enable Input; OCP; OVP; Power Good; UVP
Package Type	<i>SOP-14</i>

Simplified Circuit



Application

- LCD TV, Monitor Display Backlight
- LED Driver Application



Buck-Boost Converter/Controller

LV (5V)

RT6150A/B

Vout=5.5V
Max. 0.8A Iout

RT6154A/B

Vout=5.5V
Max. 4A Iout

RT1741A

Vout=5.5V
Max 3A Iout

RTQ1741A

Vout=5.5V
Max 3A Iout

LV w/ low Iq

RT6158A

Vout=5.2V
Max 2A Iout w/ 8uA Iq

RT6158H

Vout=5.2V
Max 3A Iout w/ 8uA Iq

RT6160A

Vout=5.2V
Max 3A Iout w/ 2uA Iq

Controller

RT6190

Vin&Vout up to 36V,
bi-direction, I2C



More Info



WWW

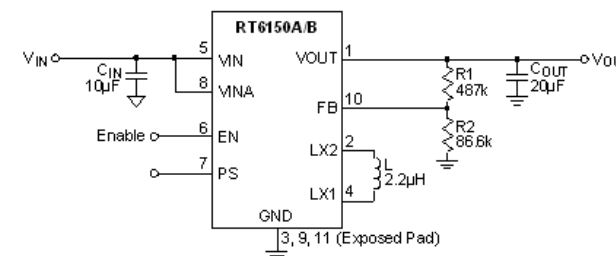
RT6150A/RT6150B

Current Mode Buck-Boost Converter

Key Spec

	RT6150A	RT6150B
Status	Active	Active
Vin (min) (V)	1.8	1.8
Vin (max) (V)	5.5	5.5
Vout (min) (V)	2.5	2.5
Vout (max) (V)	5.5	5.5
Iout (max) (A)	0.8	0.8
Current Limit (typ) (A)	1.6	1.6
Freq (typ) (kHz)	1000	1000
Freq (min) (kHz)	800	800
Freq (max) (kHz)	1200	1200

Simplified Circuit



Application

- Portable Products
- Handheld Instrumentation



BACK



More Info



WWW

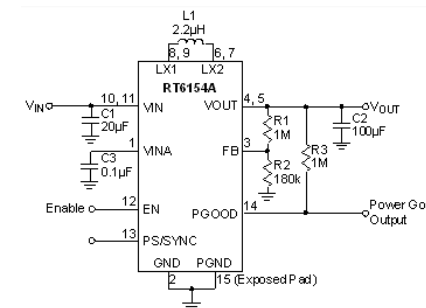
RT6154A/RT6154B

High Efficiency Single Inductor Buck-Boost Converter

Key Spec

	RT6154A	RT6154B
Status	Active	Active
Vin (min) (V)	1.8	1.8
Vin (max) (V)	5.5	5.5
Vout (min) (V)	1.8	3.3
Vout (max) (V)	5.5	3.3
Iout (max) (A)	4	4
Current Limit (typ) (A)	2.6;5	2.6;5
Freq (typ) (kHz)	2400	2400
Freq (min) (kHz)	2200	2200
Freq (max) (kHz)	2600	2600

Simplified Circuit



Application

- Cellular Phones
- Portable Hard Disk Drives
- PDAs

Evaluation Board



BACK



More Info



WWW

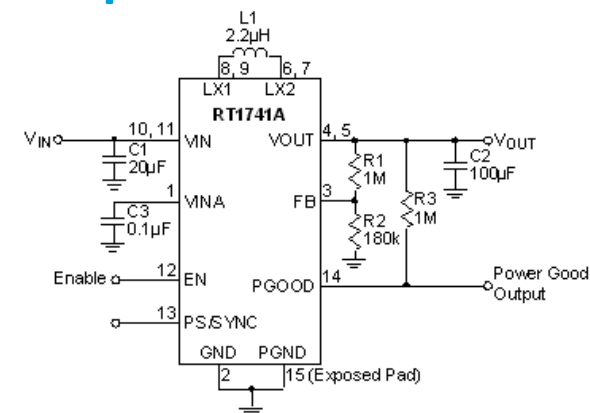
RT1741A

High Efficiency Single Inductor Buck-Boost Converter

Key Spec

	RT1741A
Status	Active
Vin (min) (V)	1.8
Vin (max) (V)	5.5
Vout (min) (V)	1.8
Vout (max) (V)	5.5
Iout (max) (A)	3
Current Limit (typ) (A)	4.5
Freq (typ) (kHz)	2400
Freq (min) (kHz)	2200
Freq (max) (kHz)	2600

Simplified Circuit



Application

- Cellular Phones
- Portable Hard Disk Drives
- PDAs



BACK



More Info



WWW

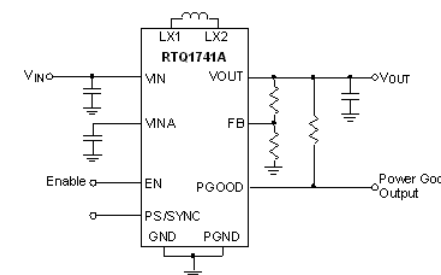
RTQ1741A

High Efficiency Single Inductor Buck-Boost Converter

Key Spec

	RTQ1741A
Status	Active
Vin (min) (V)	1.8
Vin (max) (V)	5.5
Vout (min) (V)	1.8
Vout (max) (V)	5.5
Iout (max) (A)	3
Current Limit (typ) (A)	4.5
Freq (typ) (kHz)	2400
Freq (min) (kHz)	2000
Freq (max) (kHz)	2800

Simplified Circuit



Application

- Cellular Phones
- Portable Hard Disk Drives
- PDAs



BACK



More Info



WWW

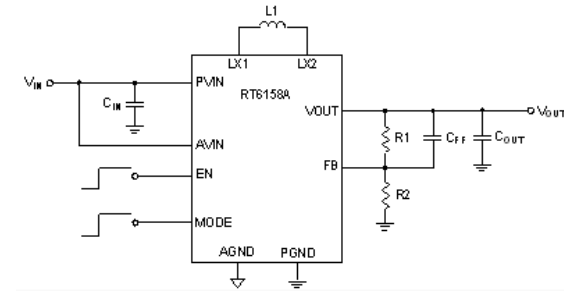
RT6158A

High Efficiency, Low Quiescent, 2A Buck-Boost Converter

Key Spec

	RT6158A
Status	Active
Vin (min) (V)	2.5
Vin (max) (V)	5
Vout (min) (V)	2.1
Vout (max) (V)	5.2
Iout (max) (A)	2
Current Limit (typ) (A)	4.5
Freq (typ) (kHz)	2000
Ron_HS (typ) (mOhm)	20
Ron_LS (typ) (mOhm)	20

Simplified Circuit



Application

- Cellular Telephones
- Wifi Module
- Tablet PC
- Portable Instrument





More Info



WWW

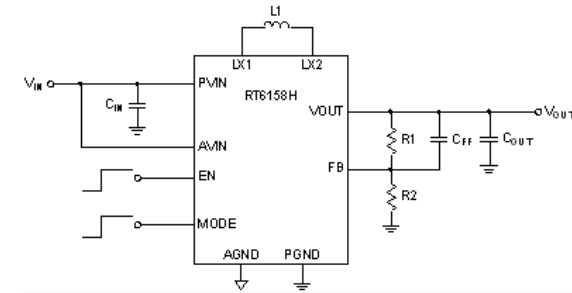
RT6158H

High Efficiency, Low Quiescent, 3A Buck-Boost Converter

Key Spec

	RT6158H
Status	Active
Vin (min) (V)	2.5
Vin (max) (V)	5.5
Vout (min) (V)	2.1
Vout (max) (V)	5.2
Iout (max) (A)	3
Current Limit (typ) (A)	6.5
Freq (typ) (kHz)	2000
Ron_HS (typ) (mOhm)	20
Ron_LS (typ) (mOhm)	20

Simplified Circuit



Application

- Cellular Telephones
- Wifi Module
- Tablet PC
- Portable Instrument



RT6160A

Low Quiescent, High Efficiency 3A Buck-Boost Converter with I²C Interface



More Info

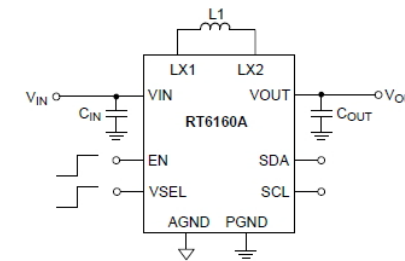


WWW

Key Spec

	RT6160A
Status	Active
V _{in} (min) (V)	2.2
V _{in} (max) (V)	5.5
V _{out} (min) (V)	2.025
V _{out} (max) (V)	5.2
I _{out} (max) (A)	3
Current Limit (typ) (A)	5
Freq (typ) (kHz)	2200
Freq (min) (kHz)	500
Freq (max) (kHz)	3000

Simplified Circuit



Application

- Smartphones and Tablets
- Portable Devices
- Wearable Devices
- System Pre-Regulators
- Point-of-Load Regulators
- Wifi Module
- USB VCONN Supplies
- TWS Earbud Chargers



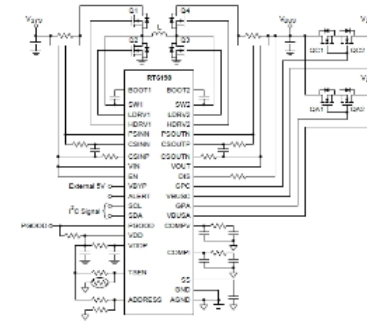
RT6190

36V, 4-Switch Bidirectional Buck-Boost Controller with I²C Interface

Key Spec

	RT6190	RT6190H
Status	Active	Active
Vin (min) (V)	4.5	4.5
Vin (max) (V)	36	36
Vout (min) (V)	3	3
Vout (max) (V)	36	36
Iout (max) (A)	5	5
Current Limit (typ) (A)	6.5	6.5
Freq (typ) (kHz)	250	250
Freq (min) (kHz)	250	250
Freq (max) (kHz)	1000	1000

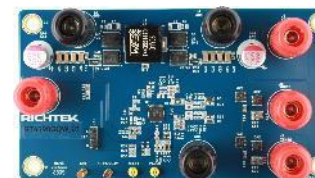
Simplified Circuit



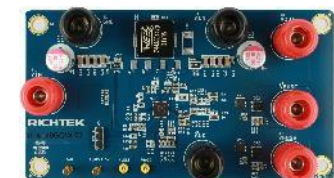
Application

- Monitor
- USB Power Delivery
- Power Bank

Evaluation Board



EVB_RT6190GQW_01



EVB_RT6190GQW_02



Richtek PD Solutions for the System Side

TCPC

RT1715
(PD3.0, DRP)

RT1718S
(PD3.0, DRP)

RT1719
(PD3.0, Sink)

TCPM (MCU inside)

RT7882
(PD + Buck-Boost controller) NEW

RT7885
(PD + Buck-Boost charger)

RT7202
(PD w/ several protocol)

RT7206
(PD w/ several protocol + MOS) NEW

RT7802
(PD w/ DRP)

Protection

RT1738A
(CC/SBU OVP)

RT1738C
(CC/SBU OVP)

e-Marker

RT1731A
(PD3.0)



More Info



WWW

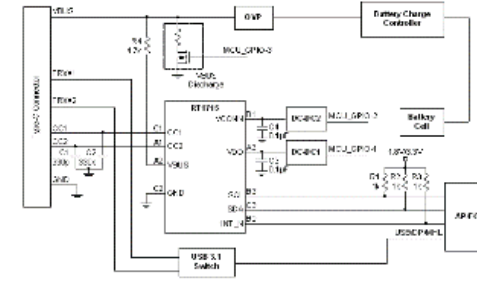
RT1715

Programmable USB Type-C PD Controller

Key Spec

	RT1715
Status	Active
Policy Manager	TCPC
Alternate Mode	Yes
PD Version	PD2.0;PD3.0
MCU Integrated	No
Power Role	DRP
Data Role	Dual Role
Internal Power Path	VCONN 5V 200mA
Iq (Typ) (µA)	25
Realtime VBUS Monitoring	Yes

Simplified Circuit

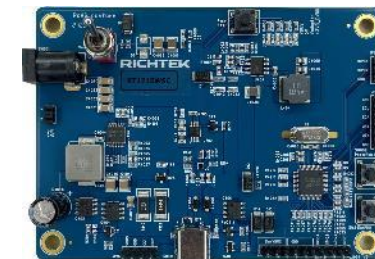


Note: MCU, GPIO, I2C, SPI, UART, etc. are not shown in this simplified circuit.

Application

- Smartphones
- Tablets
- Laptops

Evaluation Board



BACK



More Info



WWW

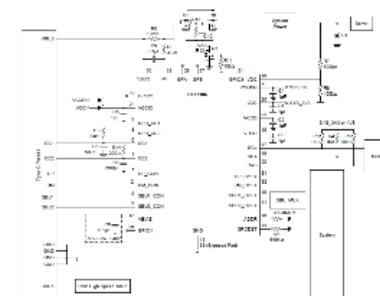
RT1718S

Type-C Port Controller (TCPC) with IEC-ESD Protection on SBU/CC/DP/DM, USB2.0 Switch, Charging Port Controller and Power-Path Control

Key Spec

	RT1718S
Status	Active
Policy Manager	TCPC
Alternate Mode	Yes
PD Version	PD2.0;PD3.0
MCU Integrated	No
Power Role	DRP
Data Role	Dual Role
External Power Path Control	GPIO;N-MOSFET Driver;P-MOSFET Driver
Iq (Typ) (μA)	25
Realtime VBUS Monitoring	Yes

Simplified Circuit



Application

- Desktop, Notebook, PC
- USB Hub/Dongle
- TV/Monitor
- Server/Data Center

Evaluation Board





More Info



WWW

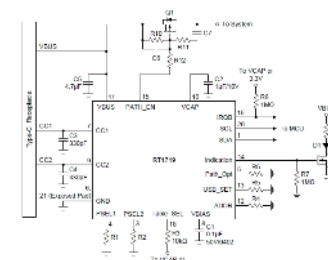
RT1719

Sink Only USB Type-C PD Controller

Key Spec

	RT1719
Status	Active
Policy Manager	Integrated
Alternate Mode	No
PD Version	PD2.0;PD3.0
MCU Integrated	No
Power Role	Consumer
Data Role	Dual Role
External Power Path Control	GPIO
Iq (Typ) (µA)	130
Realtime VBUS Monitoring	No

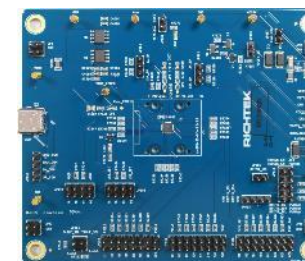
Simplified Circuit



Application

- Cameras
- Printers
- Toys
- Drones
- Handheld Devices
- Sink Devices

Evaluation Board



BACK

RT7882

NEW



More Info



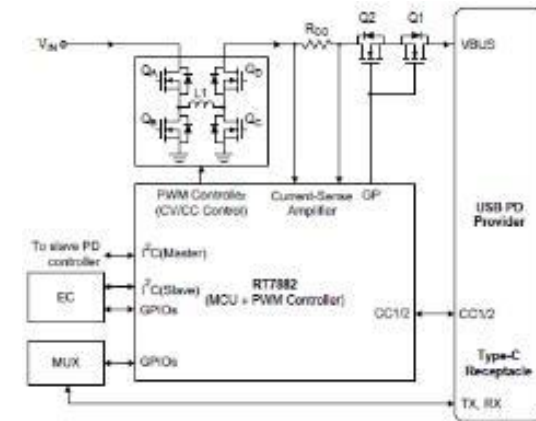
WWW

USB Type-C PD and PWM Buck-Boost Controller with AnyPower™ and PD Safe® Features

Key Spec

	RT7882
Status	Active
Policy Manager	Integrated
Alternate Mode	No
PD Version	PD2.0;PD3.0;PPS
MCU Integrated	Yes
Power Role	Provider
Data Role	Dual Role
External Power Path Control	N-MOSFET Driver
Internal Power Path	VCONN 5V 20mA
Iq (Typ) (μA)	120

Simplified Circuit



Application

- USB PD Type-C Power Delivery Car Charger



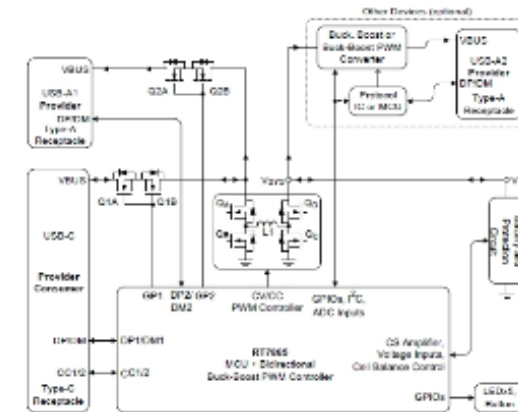
RT7885

All-in-One USB PD and Bidirectional PWM Buck-Boost Controller

Key Spec

	RT7885A
Status	Active
Policy Manager	Integrated
Alternate Mode	No
PD Version	PD2.0;PD3.0;PPS
MCU Integrated	Yes
Power Role	DRP
Data Role	Dual Role
External Power Path Control	N-MOSFET Driver
Iq (Typ) (μA)	100
Realtime VBUS Monitoring	Yes

Simplified Circuit



Application

- USB PD Type-C Power Bank

RT7202

Highly Integrated USB PD Type-C Controller for SMPS



More Info

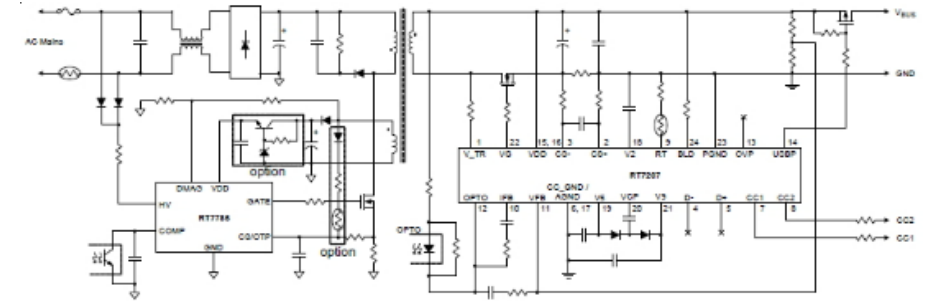


WWW

Key Spec

	RT7202A	RT7202D	RT7202E
Status	Active	Active	Active
Policy Manager	Integrated	Integrated	Integrated
Alternate Mode	No	No	No
PD Version	PD2.0;PD3.0	PD2.0;PD3.0	PD2.0;PD3.0
MCU Integrated	Yes	Yes	Yes
Power Role	Provider	Provider	Provider
Data Role	DFP	DFP	DFP
External Power Path Control	P-MOSFET Driver	P-MOSFET Driver	P-MOSFET Driver
Iq (Typ) (µA)	750	750	750
Realtime VBUS Monitoring	Yes	Yes	Yes

Simplified Circuit



Application

- USB PD Type-C Chargers/Adapters for Smart Phones, NBs, Tablets and All Other Electronics
- USB PD Extension Cores with Offline AC-DC Converters



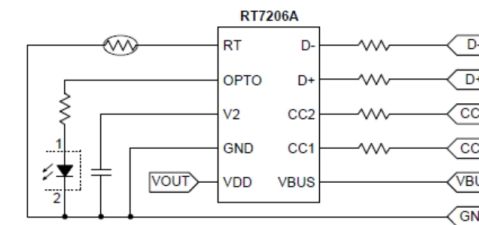
RT7206A

High-Integration USB PD Controller with Internal Feedback Compensation and Built-in Blocking N-MOSFETs

Key Spec

	RT7206AH	RT7206AL
Status	Active	Active
Policy Manager	Integrated	Integrated
Alternate Mode	No	No
PD Version	PD2.0;PD3.0;PPS	PD2.0;PD3.0;PPS
MCU Integrated	Yes	Yes
Power Role	Provider	Provider
External Power Path Control	N-MOSFET Driver	N-MOSFET Driver
Iq (Typ) (μA)	650	650
Realtime VBUS Monitoring	Yes	Yes
Max Output Voltage (V)	12	12

Simplified Circuit



Application

- Travel Adapters with USB PD Type-C Control
- Travel Adapters with Fast Charge Protocols (e.g., FCP, SCP, AFC and QC2.0/QC3.0)



More Info



WWW

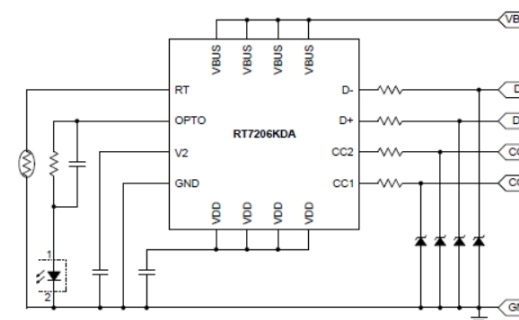
RT7206KDA

High-Integration Programmable Protocol Controller with Internal Feedback Compensation and Built-in Blocking N-MOSFETs

Key Spec

	RT7206KDA
Status	Active
Policy Manager	Integrated
Alternate Mode	No
MCU Integrated	Yes
Power Role	Provider
Data Role	DFP
Iq (Typ) (µA)	900
Realtime VBUS Monitoring	Yes
Dead Battery Support	No
Max Output Voltage (V)	13

Simplified Circuit



Application

- Travel Adapters with USB Type-C Control
- Travel Adapters with Fast Charge Protocols



BACK

RT7206KN NEW



More Info



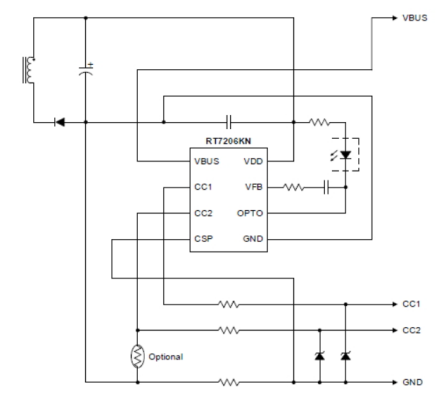
WWW

Highly-Integrated USB Type-C Power Delivery Controller with Built-In Blocking N-MOSFET

Key Spec

	RT7206KN	RT7206KNC
Status	Active	Active
Policy Manager	Integrated	Integrated
PD Version	PD3.0	PD3.0;PPS
MCU Integrated	Yes	Yes
Power Role	Provider	Provider
External Power Path Control	N-MOSFET Driver	N-MOSFET Driver
Internal Power Path	VCONN 5V 20mA	VCONN 5V 20mA
Realtime VBUS Monitoring	Yes	Yes
Max Output Voltage (V)	21	21
CC Pins	CC1;CC2	CC1

Simplified Circuit



Application

- USB Type-C PD Controller in Source Application for Chargers/Adapters of Smartphone, Tablet, Notebook, and Other Electronics
- USB Type-C PD Controller in Sink Application for IoT Devices of Power Over Ethernet, Smart Speaker, Projector, and Other Electronics



RT7802

MCU-Integrated USB Type-C Port Controller



More Info

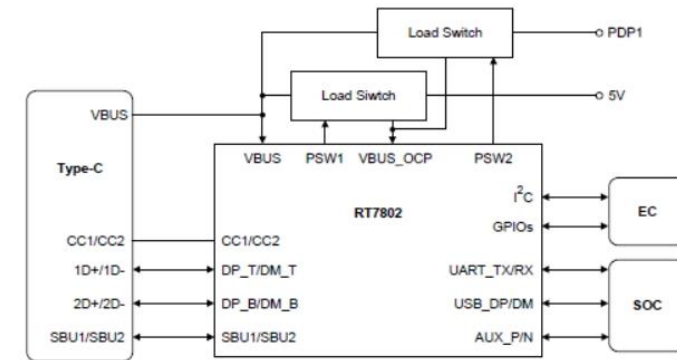


WWW

Key Spec

	RT7802
Status	Active
PD Version	PD3.0
MCU Integrated	Yes
External Power Path Control	GPIO
Internal Power Path	VCONN 5V 300mA
Iq (Typ) (µA)	500
Realtime VBUS Monitoring	Yes
Dead Battery Support	No
Max Output Voltage (V)	22
Syn. Rectifier	No

Simplified Circuit



Application

- Desktop PC, LCD Monitor, TV, Docking Station





More Info



WWW

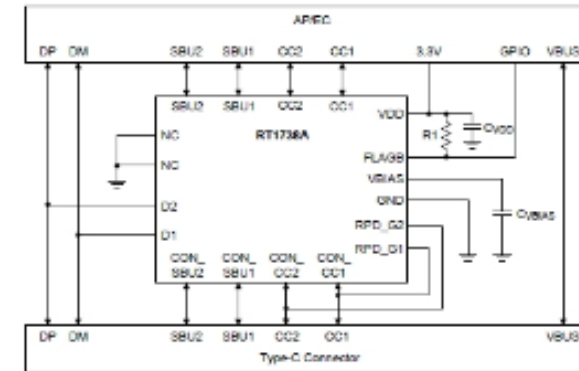
RT1738A

Type-C CC and SBU Short to VBUS Over-Voltage and IEC ESD Protection Switch

Key Spec

	RT1738A
Status	Active
Policy Manager	Integrated
Alternate Mode	No
MCU Integrated	No
Power Role	Consumer
Data Role	Dual Role
Iq (Typ) (µA)	40
Dead Battery Support	Yes
Max Output Voltage (V)	5.5
Syn. Rectifier	No

Simplified Circuit



Application

- PC/Notebook
- Smart Phone/Tablet
- TV/Monitor
- USB-C Dongle/Docking/Hubs



RT1738C

Type-C CC and SBU Short to VBUS Over-Voltage and IEC ESD Protection Switch

Key Spec

	RT1738C
Status	Active
Iq (Typ) (μA)	40
Dead Battery Support	Yes
Interface	Data Switch;OVP Switch
Features	OVP
Package Type	<u>WL-CSP1.62x1.62-16(BSC)</u>

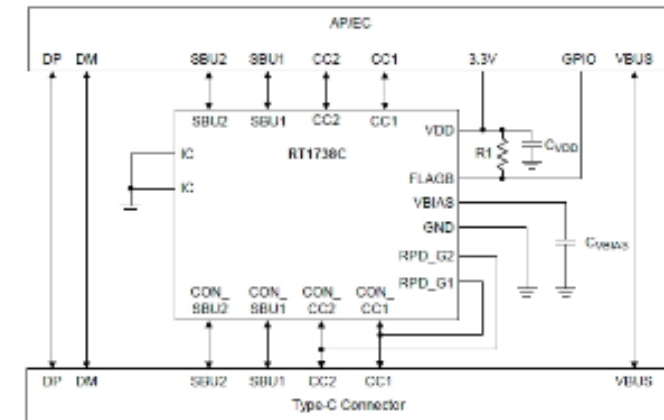


More Info



WWW

Simplified Circuit



Application

- PC/Notebook
- Smart Phone/Tablet
- TV/Monitor
- USB-C Dongle/Docking/Hubs





More Info



WWW

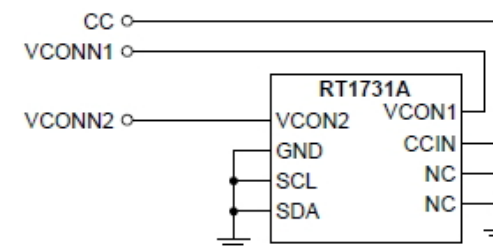
RT1731A

Cable ID for USB Type-C Cables

Key Spec

	RT1731A
Status	Active
Vin (min) (V)	3
Vin (max) (V)	5.5
Package Type	<u>WDFN2x2-8;WL-CSP0.96x1.64-8(BSC)</u>

Simplified Circuit



Application

- USB Full-Featured Type-C Cables



BACK

Richtek Battery Charger/Gauge Solutions

Single Cell (LN)

RT9525

1.5A linear charger w/
PP

RT9527

0.6A linear charger

NEW

RT9532/S

1A linear charger

NEW

Single Cell (SW)

RT9470/D

3A high efficiency switching
charger w/ PP (BC1.2)

RT9471/D

3A high efficiency switching
charger w/ PP (BC1.2)

RT9466

5A switching charger
w/ ADC

RT9467

5A switching charger
w/ ADC (BC1.2)

Multi-Cell

RT9490

1~4 cell Buck-Boost
converter charger w/ NVDC

NEW

RT7885

PD + 1~4 cell Buck-Boost
charger

RT7802+RT6190

5~8 cell PD + Buck-Boost
charger

Fuel Gauge

RT9422A

1 cell pack side FG
w/ 1mohm Rsense
Voltaic+CS

RT9426A

1 cell system side FG
w/ 1mohm Rsense
Voltaic+CS

RT9427

1 cell system side FG
w/ 0.5mohm Rsense
Voltaic+CS

NEW

RT9428

1 cell system side FG
Voltaic gauge



RT9525

Linear Single Cell Li-Ion Battery Charger with Auto Power Path

Key Spec

	RT9525
Status	Active
Vin (min) (V)	4.2
Vin (max) (V)	6
Battery Charge Voltage (max) (V)	4.2
Battery Charge Current (max) (A)	1.2
Status Indicator	Yes
Charger Type	Linear
Input Source	AC Adapter;USB
Features	Adjustable Current Limit;Enable Input;Internal Compensation;OVP;Power Good;UVP
Package Type	<i>WQFN3x3-16</i>

Richtek Technology Corporation

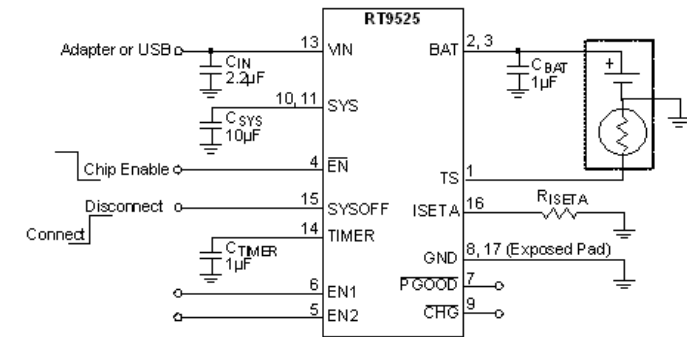


More Info



WWW

Simplified Circuit



Application

- Digital Cameras
- PDAs and Smart Phones
- Portable Instruments



BACK

RT9527

NEW



More Info



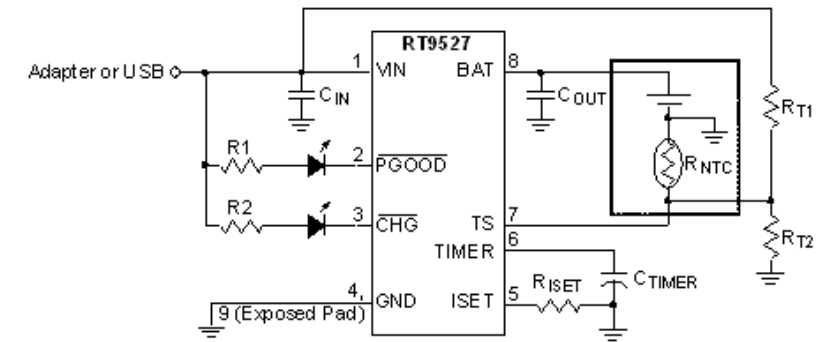
WWW

Single Cell Li-Ion Battery Charger with Adjustable Charging Current for Portable Applications

Key Spec

	RT9527
Status	Active
Vin (min) (V)	4.4
Vin (max) (V)	6
Battery Charge Voltage (max) (V)	4.2
Battery Charge Current (max) (A)	0.6
Status Indicator	Yes
Charger Type	Linear
Input Source	AC Adapter;USB
Features	Internal Compensation;OVP;Power Good;UVP
Package Type	<i>WDFN2x2-8</i>

Simplified Circuit



Application

- Cellular Phones
- Digital Cameras
- PDAs and Smart Phone
- Portable Instruments



RT9532 ^{NEW}



More Info



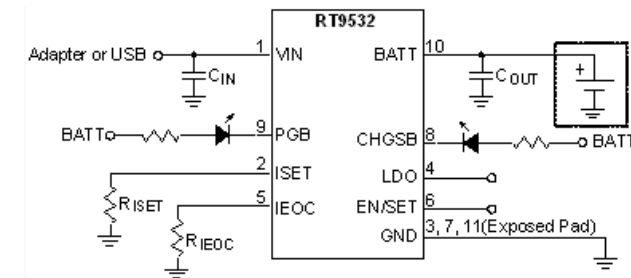
WWW

Linear Single Cell Li-Ion Battery Charger IC for Portable Applications

Key Spec

	RT9532
Status	Active
Vin (min) (V)	4.3
Vin (max) (V)	6.2
Battery Charge Voltage (max) (V)	4.2
Battery Charge Current (max) (A)	1
Status Indicator	Yes
Charger Type	Linear
Input Source	AC Adapter;USB
Features	Adjustable Current Limit;Enable Input;Internal Compensation;Low Dropout;OVP;Power Good;UVP
Package Type	<i>WDFN3x2-10</i>

Simplified Circuit



Application

- Cellular Phones
- Digital Cameras
- PDAs and Smart Phone
- Portable Instruments



RT9532S

Linear Single Cell Li-Ion Battery Charger IC for Portable Applications



More Info

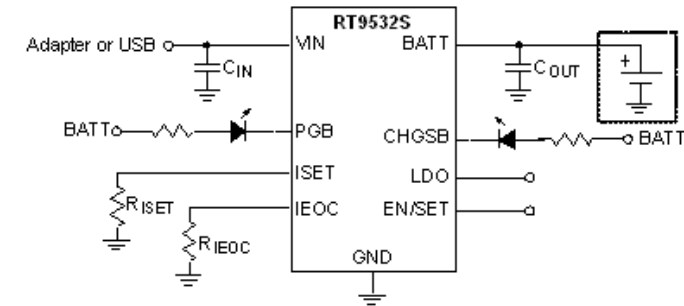


WWW

Key Spec

	RT9532S
Status	Active
Vin (min) (V)	4.3
Vin (max) (V)	5.5
Battery Charge Voltage (max) (V)	4.2;4.35
Battery Charge Current (max) (A)	1.2
Status Indicator	Yes
Charger Type	Linear
Input Source	AC Adapter;USB
Features	Enable Input;OVP;UVP
Package Type	<i>WDFN3x2-10</i>

Simplified Circuit



Application

- Cellular Phones
- Digital Cameras
- PDAs and Smart Phone
- Portable Instruments





More Info



WWW

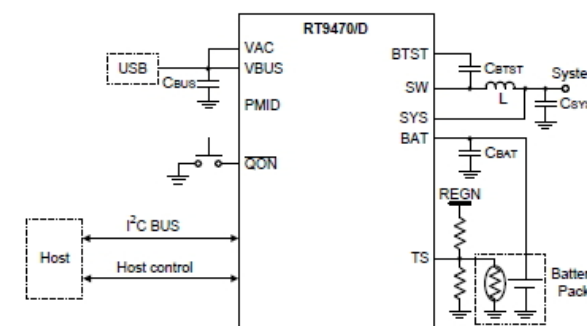
RT9470/RT9470D

3A Single Cell Switching Battery Charger

Key Spec

	RT9470	RT9470D
Status	Active	Active
Vin (min) (V)	3.9	3.9
Vin (max) (V)	13.5	13.5
Battery Charge Voltage (max) (V)	4.7	4.7
Battery Charge Current (max) (A)	3.15	3.15
Status Indicator	Yes	Yes
Charger Type	Switching	Switching
Input Source	AC Adapter;USB	AC Adapter;USB
Features	Adjustable Current Limit;Current Mode Control;Cycle-by-Cycle Current Limit;I2C;OCP;OVP;Power Good;SCP;UVP	Adjustable Current Limit;Current Mode Control;Cycle-by-Cycle Current Limit;I2C;OCP;OVP;SCP;UVP
Package Type	<u>WL-CSP2.1x2.5-30(BSC)</u>	<u>WL-CSP2.1x2.5-30(BSC)</u>

Simplified Circuit



Application

- Smart Phone/Tablet PC
- Personal Information Appliances
- Portable Device and Accessory



BACK



More Info



WWW

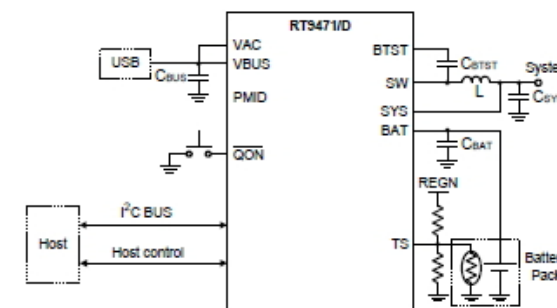
RT9471/RT9471D

3A Single Cell Switching Battery Charger

Key Spec

	RT9471	RT9471D
Status	Active	Active
Vin (min) (V)	3.9	3.9
Vin (max) (V)	13.5	13.5
Battery Charge Voltage (max) (V)	4.7	4.7
Battery Charge Current (max) (A)	3.15	3.15
Status Indicator	Yes	No
Charger Type	Switching	Switching
Input Source	AC Adapter;USB	AC Adapter;USB
Features	Adjustable Current Limit;Current Mode Control;Cycle-by-Cycle Current Limit;I2C;OCP;OVP;Power Good;SCP;UVP	Adjustable Current Limit;Current Mode Control;Cycle-by-Cycle Current Limit;I2C;OCP;OVP;SCP;UVP
Package Type	<u>WQFN4x4-24</u>	<u>WQFN4x4-24</u>

Simplified Circuit



Application

- Smart Phone/Tablet PC
- Personal Information Appliances
- Portable Device and Accessory



BACK

RT9466



More Info



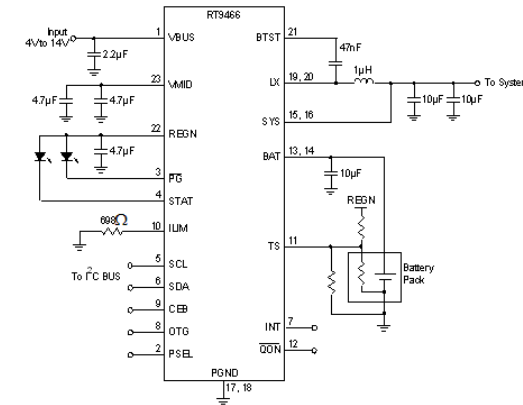
WWW

5A Single Cell Li-Ion Switching Battery Charger with Power Path Management and USB-OTG Boost Mode

Key Spec

	RT9466
Status	Active
Vin (min) (V)	4
Vin (max) (V)	14
Battery Charge Voltage (max) (V)	4.71
Battery Charge Current (max) (A)	5
Status Indicator	Yes
Charger Type	Switching
Input Source	AC Adapter;USB
Features	Adjustable Current Limit;Adjustable Frequency;Current Mode Control;Cycle-by-Cycle Current Limit;I2C;Internal Compensation;OCP;OVP;Power Good;SCP;UVP
Package Type	<u>WQFN4x4-24</u>

Simplified Circuit



Application

- Cellular Telephones
- Personal Information Appliances
- Tablet PC, Power Bank
- Portable Instruments



RT9467



More Info



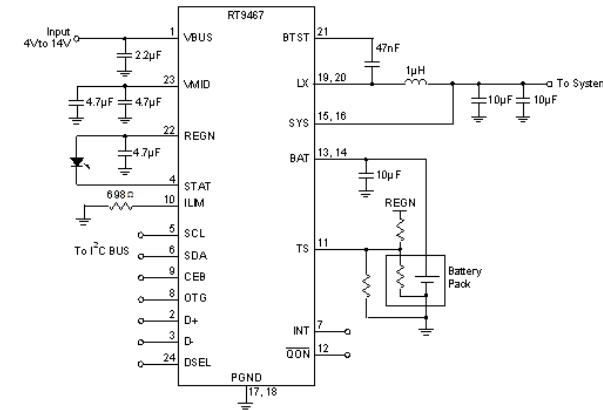
WWW

5A Single Cell Li-Ion Switching Battery Charger with Power Path Management and USB-OTG Boost Mode

Key Spec

	RT9467
Status	Active
Vin (min) (V)	4
Vin (max) (V)	14
Battery Charge Voltage (max) (V)	4.71
Battery Charge Current (max) (A)	5
Status Indicator	Yes
Charger Type	Switching
Input Source	AC Adapter;USB
Features	Adjustable Current Limit;Adjustable Frequency;Current Mode Control;Cycle-by-Cycle Current Limit;I2C;Internal Compensation;OCP;OVP;SCP;UV P
Package Type	<i>WQFN4x4-24</i>

Simplified Circuit



Application

- Cellular Telephones
- Personal Information Appliances
- Tablet PC, Power Bank
- Portable Instruments





More Info



WWW

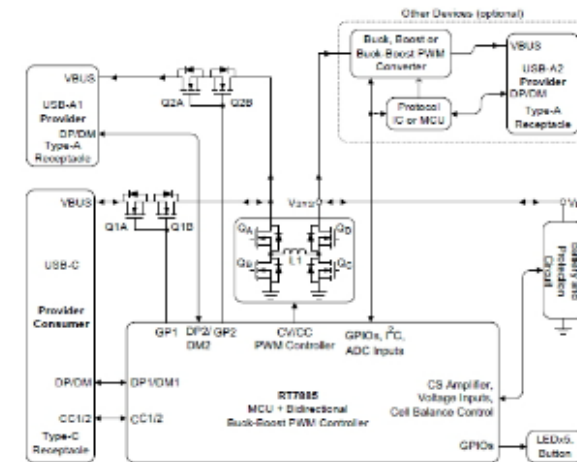
RT7885

All-in-One USB PD and Bidirectional PWM Buck-Boost Controller

Key Spec

	RT7885A
Status	Active
Policy Manager	Integrated
Alternate Mode	No
PD Version	PD2.0;PD3.0;PPS
MCU Integrated	Yes
Power Role	DRP
Data Role	Dual Role
External Power Path Control	N-MOSFET Driver
Iq (Typ) (μA)	100
Realtime VBUS Monitoring	Yes

Simplified Circuit



Application

- USB PD Type-C Power Bank



BACK

RT7802

MCU-Integrated USB Type-C Port Controller



More Info

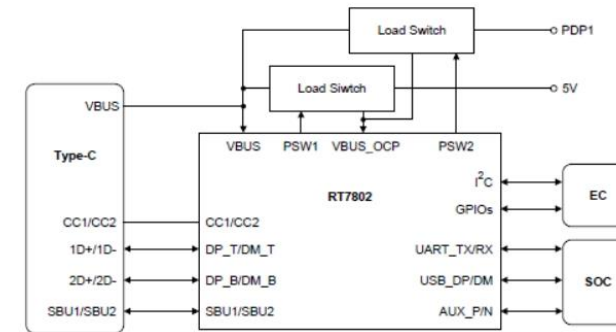


WWW

Key Spec

	RT7802
Status	Active
PD Version	PD3.0
MCU Integrated	Yes
External Power Path Control	GPIO
Internal Power Path	VCONN 5V 300mA
Iq (Typ) (μ A)	500
Realtime VBUS Monitoring	Yes
Dead Battery Support	No
Max Output Voltage (V)	22
Syn. Rectifier	No

Simplified Circuit



Application

- Desktop PC, LCD Monitor, TV, Docking Station





More Info



WWW

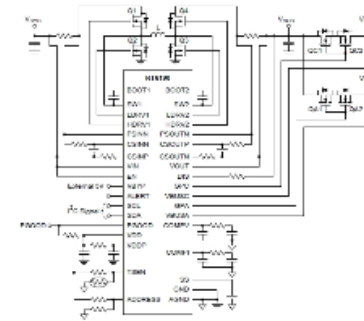
RT6190

36V, 4-Switch Bidirectional Buck-Boost Controller with I²C Interface

Key Spec

	RT6190	RT6190H
Status	Active	Active
Vin (min) (V)	4.5	4.5
Vin (max) (V)	36	36
Vout (min) (V)	3	3
Vout (max) (V)	36	36
Iout (max) (A)	5	5
Current Limit (typ) (A)	6.5	6.5
Freq (typ) (kHz)	250	250
Freq (min) (kHz)	250	250
Freq (max) (kHz)	1000	1000

Simplified Circuit



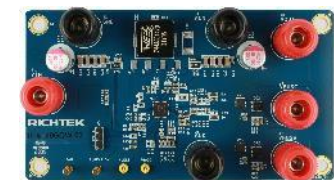
Application

- Monitor
- USB Power Delivery
- Power Bank

Evaluation Board



EVB_RT6190GQW_01



EVB_RT6190GQW_02





More Info



WWW

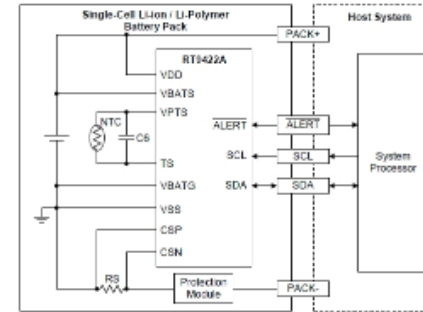
RT9422A

Pack Side Single Cell Fuel Gauge

Key Spec

	RT9422A
Status	Active
Number of Series Cells	1
Supply Voltage (min) (V)	2.5
Supply Voltage (max) (V)	5.5
Communication Interface	I2C
Package Type	<u>WDFN2.5x4-12</u>

Simplified Circuit



Application

- Smartphones
- Tablet PC
- Wearable Device
- Digital Still Cameras
- Digital Video Cameras
- Handheld and Portable Applications



BACK



More Info



WWW

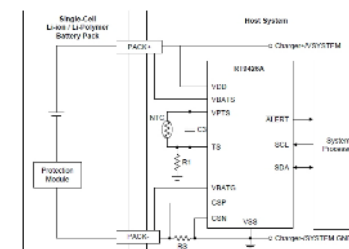
RT9426A

System Side Single Cell Fuel Gauge

Key Spec

	RT9426A
Status	Active
Number of Series Cells	1
Supply Voltage (min) (V)	2.5
Supply Voltage (max) (V)	5.5
Communication Interface	I2C
Package Type	<u>WL-CSP2.29x1.74-9(BSC)</u> ; <u>WDFN2.5x4-12</u> ; <u>WL-CSP2.29x1.74-9(BSC)</u>

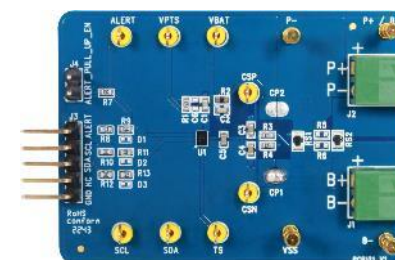
Simplified Circuit



Application

- Smartphones
- Tablet PC
- Wearable Device
- Digital Still Cameras
- Digital Video Cameras
- Handheld and Portable Applications

Evaluation Board



BACK



More Info



WWW

RT9427

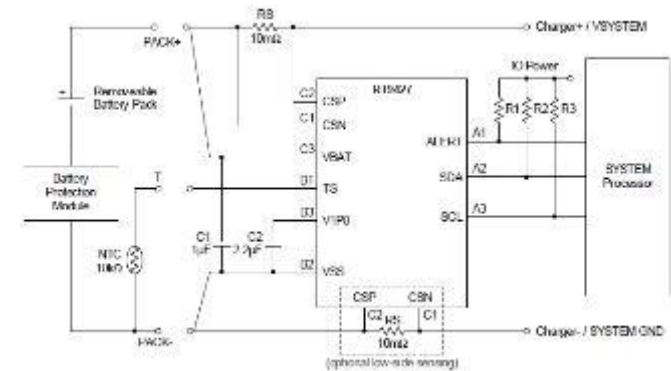
NEW

5μA System Side Single Cell Fuel Gauge

Key Spec

	RT9427
Status	Active
Number of Series Cells	1
Supply Voltage (min) (V)	2.5
Supply Voltage (max) (V)	5.5
Communication Interface	I2C
Package Type	<u>WDFN2.5x2-10(FC);WL-</u> <u>CSP1.68x1.81-9(BSC)</u>

Simplified Circuit



Application

- Smartphones
- Tablet PC
- Wearable Device
- Digital Still Cameras
- Digital Video Cameras
- Handheld and Portable Applications



BACK



More Info



WWW

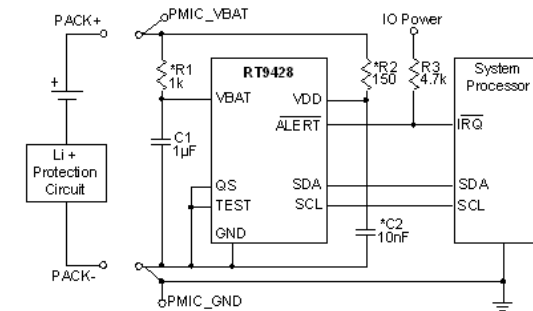
RT9428

Host-Side Single Cell Lithium Battery Gauge

Key Spec

	RT9428
Status	Active
Number of Series Cells	1
Supply Voltage (min) (V)	2.5
Supply Voltage (max) (V)	4.5
Communication Interface	I2C
Package Type	<u><i>WL-CSP1.6x1.52-8(BSC)</i></u>

Simplified Circuit



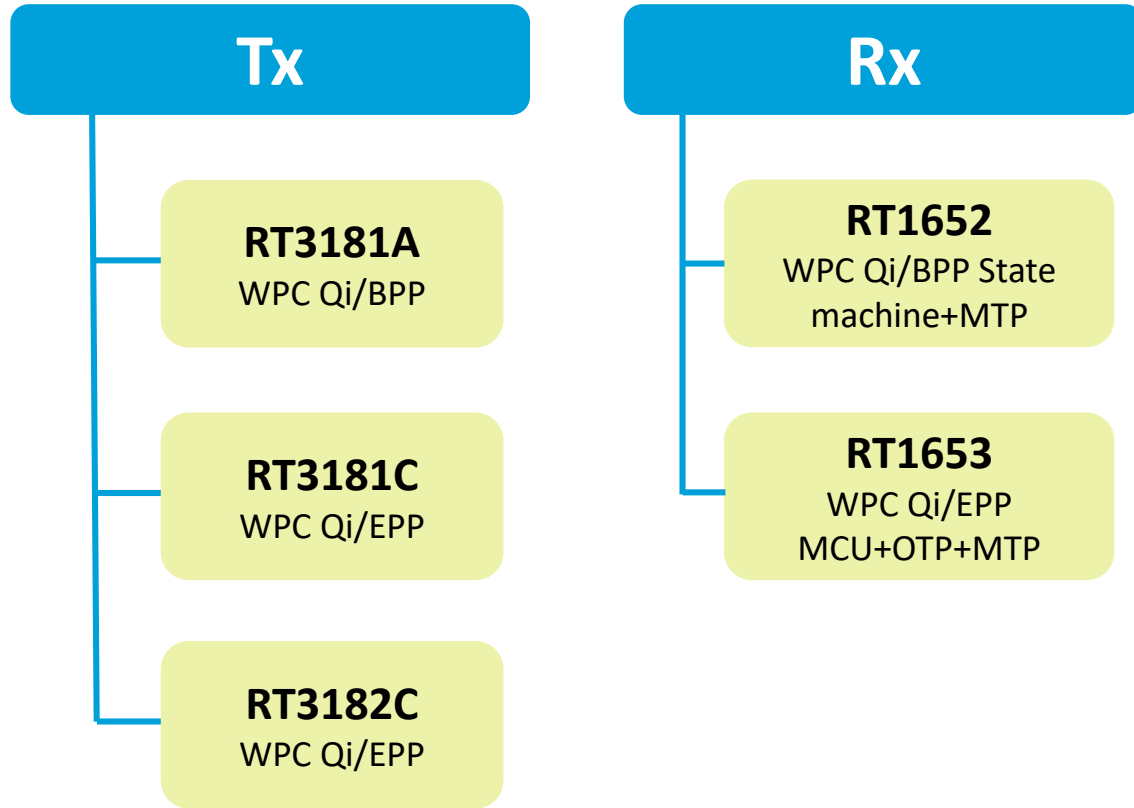
*: For better noise reduction performance and improve measurement accuracy, add R1 R2 C2 are optional and recommended.

Application

- Smartphones
- Tablet PC
- Digital Still Cameras
- Digital Video Cameras
- Handheld and Portable Applications



Wireless Charger Product Selection





More Info



WWW

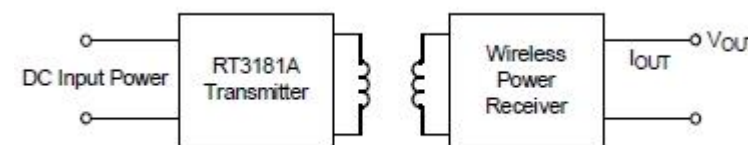
RT3181A

Wireless Power Transmitter for 5W/15W Solution

Key Spec

	RT3181A
Status	Active
Vin (min) (V)	17
Vin (max) (V)	5
Iin (max) (A)	2
Power Rating (W)	7.5
WPC Protocol	BPP
Compliance Ver	WPC 1.2.4
Features	1.8V LDO PMU;3.3V LDO PMU;5V Buck PMU;Aux ADC Input;Buck-boost controller;Current sensing amplifier;Die Temperature Sensor;FOD-Q factor;H-bridge Class D MOSFET;I2C Master;I2C Slave;LED driver;OCP;OTP;OVP;QC Interface
Package Type	<i>WQFN6x6-48</i>

Simplified Circuit



Application

- Mobile Phones
- Phablets/Tablets
- Wearable Devices
- Medical and Industrial



BACK



More Info



WWW

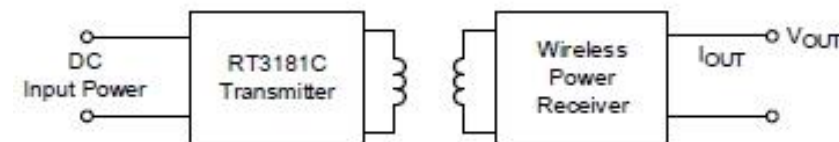
RT3181C

Wireless Power Transmitter for 15W Solution

Key Spec

	RT3181C
Status	Active
Vin (min) (V)	17
Vin (max) (V)	5
Iin (max) (A)	2
Power Rating (W)	15
WPC Protocol	EPP
Compliance Ver	WPC 1.2.4
Features	1.8V LDO PMU;3.3V LDO PMU;5V Buck PMU;Aux ADC Input;Buck-boost controller;Current sensing amplifier;Die Temperature Sensor;I2C Master;I2C Slave;LED driver;OCP;OTP;OVP;QC Interface
Package Type	<u>WQFN6x6-48</u>

Simplified Circuit



Application

- Mobile Phones
- Phablets, Tablets
- Wearable Devices
- Medical and Industrial





More Info



WWW

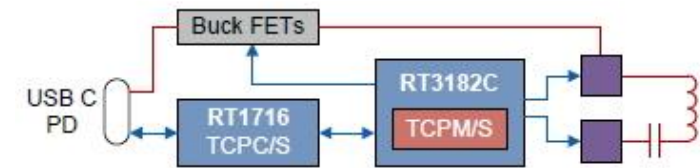
RT3182C

Wireless Power Transmitter with USB-PD Input Solution

Key Spec

	RT3182C
Status	Active
Vin (min) (V)	17
Vin (max) (V)	5
Iin (max) (A)	2
Power Rating (W)	15
WPC Protocol	EPP
Compliance Ver	WPC 1.2.4
Features	1.8V LDO PMU;3.3V LDO PMU;5V Buck PMU;Aux ADC Input;Buck-boost controller;Current sensing amplifier;Die Temperature Sensor;External Interrupt/Wakeup;FOD-Q factor;I2C Master;I2C Slave;LED driver;OCP;OCP;OVP;QC Interface;USB-PD TCPM
Package Type	<i>WQFN6x6-48</i>

Simplified Circuit



Application

- Mobile Phones
- Phablets, Tablets
- Wearable Devices
- Medical and Industrial



RT1652

Dual Mode (WPC) 5W Wireless Power Receiver and Battery Charger



More Info

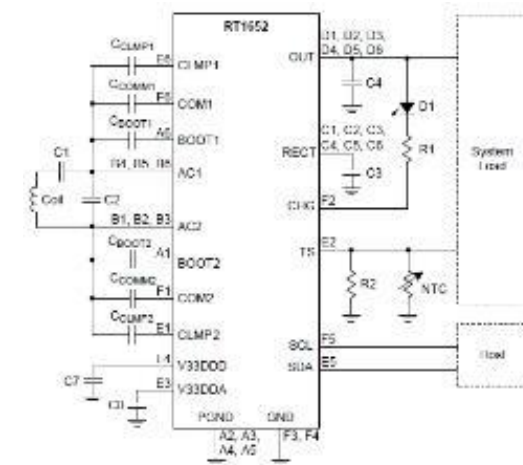


WWW

Key Spec

	RT1652
Status	Active
Vrect (min) (V)	2.7
Vrect (max) (V)	14.5
Vout (min) (V)	4.95
Vout (max) (V)	5.05
Iout (max) (A)	1
Power Rating (W)	5
Battery Charging Function	Yes
ComplianceVer	WPC 1.3
Features	Adjustable Current Limit;I2C;MTP;OCP;OVP;Power Good

Simplified Circuit



Application

- Cell Phones, Smart Phones, and Headsets
- Wireless Power Embedded Battery Packs
- Portable Media Players
- Hand-held Devices
- Wearable Devices





More Info



WWW

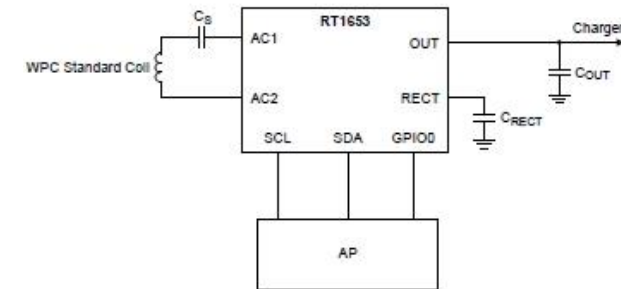
RT1653

Wireless Power Receiver Compliant with WPC

Key Spec

	RT1653
Status	Active
Vrect (min) (V)	2.7
Vrect (max) (V)	14.5
Vout (min) (V)	4.95
Vout (max) (V)	12
Iout (max) (A)	1.8
Power Rating (W)	15
Battery Charging Function	Yes
ComplianceVer	WPC 1.2
Features	Adjustable Current Limit;FSK;I2C;MTP;OCP;OTP;OV P;Power Good

Simplified Circuit

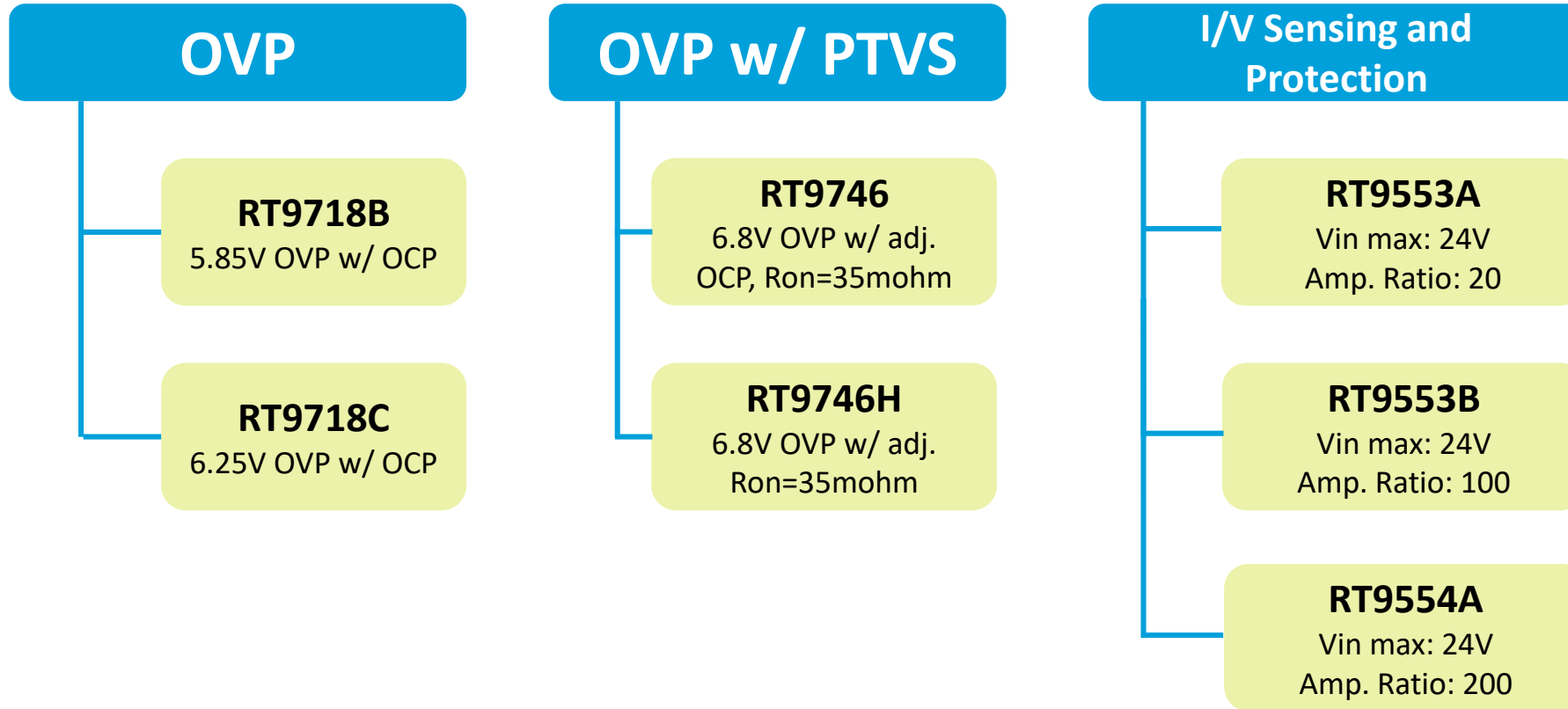


Application

- WPC Compliant Receivers
- Smart Phone
- Wireless Power Embedded Batteries
- Portable Media Players
- Hand-held Devices



Protection IC Product Selection





More Info



WWW

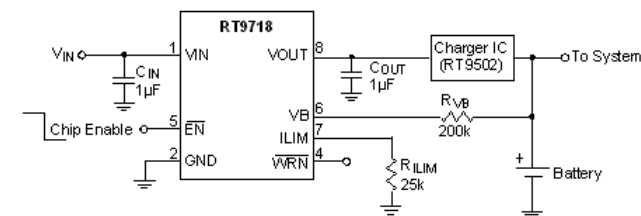
RT9718

Over Voltage Protection IC

Key Spec

	RT9718A	RT9718B	RT9718C	RT9718D
Status	Active	Active	Active	Active
Vin (min) (V)	4	4	4	4
Vin (max) (V)	6.9	6.9	6.9	6.9
Vin_ovp (typ) (V)	6.8	5.85	6.25	7.2
Delay Time (max) (us)	1	1	1	1
Isd (typ) (uA)	65	65	65	65
Ron (typ) (mOhm)	200	200	200	200
Features	Enable Input;OCP;OVP	Enable Input;OCP;OVP	Enable Input;OCP;OVP	Enable Input;OCP;OVP
Package Type	<u>WDFN2x2-8</u>	<u>WDFN2x2-8</u>	<u>WDFN2x2-8</u>	<u>WDFN2x2-8</u>

Simplified Circuit



Application

- Cellular Phones
- Digital Cameras
- PDAs and Smart Phones
- Portable Instruments



BACK



More Info



WWW

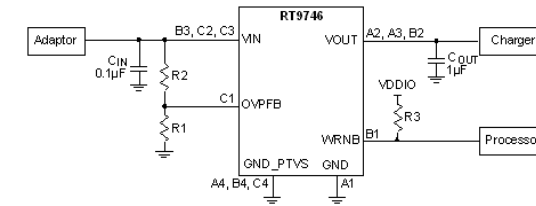
RT9746

VBUS OVP with a PTVS Diode

Key Spec

	RT9746
Status	Active
Vin (min) (V)	3
Vin (max) (V)	6.7
Vin_ovp (typ) (V)	6.8
Delay Time (max) (us)	0.25
Ron (typ) (mOhm)	35
Features	OCP;OVP
Package Type	<u>WL-CSP1.92x1.27-12(BSC)</u>

Simplified Circuit



Application

- Cellular Phone
- Smart Handheld Device

Evaluation Board



BACK



More Info



WWW

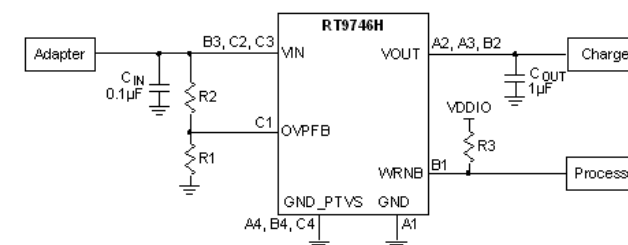
RT9746H

VBUS OVP with a PTVS Diode

Key Spec

	RT9746H
Status	Active
Vin (min) (V)	3
Vin (max) (V)	6.7
Vin_ovp (typ) (V)	6.8
Delay Time (max) (us)	0.25
Ron (typ) (mOhm)	35
Features	OVP
Package Type	<u>WL-CSP1.92x1.27-12(BSC)</u>

Simplified Circuit



Application

- Cellular Phone
- Smart Handheld Device





More Info



WWW

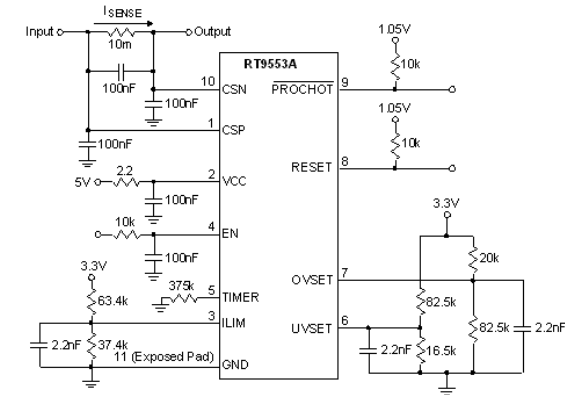
RT9553A

High Accuracy Current/Voltage Sensing and Protection IC

Key Spec

	RT9553A
Status	Active
Vin (min) (V)	5
Vin (max) (V)	24
Amplifier Ratio	20
Channel Number	1
Features	Adjustable Current Limit; Enable Input; OCP; OVP; UVP
Package Type	<i>WDFN3x3-10</i>

Simplified Circuit



Application

- Notebook



BACK



More Info



WWW

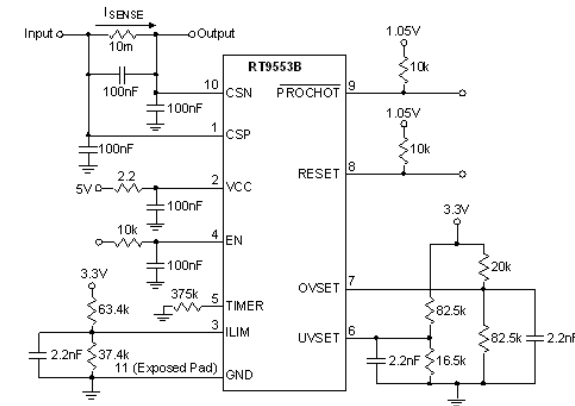
RT9553B

High Accuracy Current/Voltage Sensing and Protection IC

Key Spec

	RT9553B
Status	Active
Vin (min) (V)	5
Vin (max) (V)	24
Amplifier Ratio	100
Channel Number	1
Features	Adjustable Current Limit; Enable Input; OCP; OVP; UVP
Package Type	<u>WDFN3x3-10</u>

Simplified Circuit



Application

- Notebook



BACK



More Info



WWW

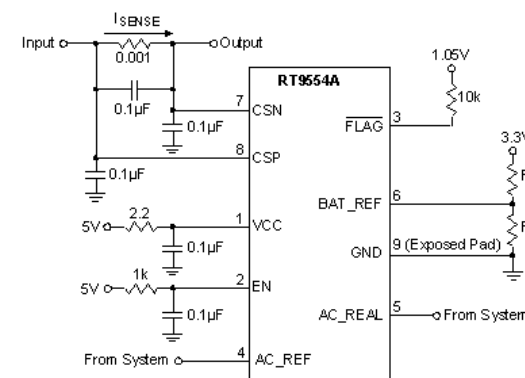
RT9554A

Battery Output Current Sense Protection IC

Key Spec

	RT9554A
Status	Active
Vin (min) (V)	5
Vin (max) (V)	24
Amplifier Ratio	200
Channel Number	1
Features	Adjustable Current Limit; Enable Input; OCP
Package Type	<u>WDFN2x2-8</u>

Simplified Circuit



Application

- Notebook



Development Tool

- Tool

Part Number	Description	More Info
RD0001-01	Wrenboard : General USB-I2C/GPIO/PWM Tool Kit	→
RD0004	Load Transient Tool	→
RD0006	USB PD FW Update Fixture	→
RD0007	RT7800 Host Board	→

Evaluation Board

- **ASSP PMIC**

Part Number	Product Description	More Info
EVB_RT9426AWSC	36V High Efficiency Boost Converter with I2C Controlled 6-CH LED Driver	→

- **Audio and Interface**

Product Category	Part Number	Product Description	More Info
Audio	EVB_RT9120SGQV	30W, Stereo, Ultra Low Noise, High-Efficiency, Inductor-Less, I2S General-Purpose Class-D Audio Amplifier with DRC Control.	→
Interface	EVB_RT1715WSC	Programmable USB Type-C PD Controller	→
	EVB_RT1718SGQW	Type-C Port Controller (TCPC) with IEC-ESD Protection on SBU/CC/DP/DM, USB2.0 Switch, Charging Port Controller and Power-Path Control	→
	EVB_RT1719GQW	Sink Only USB Type-C PD Controller	→
	EVB_RT9746WSC	VBUS OVP with a PTVS Diode	→

Evaluation Board

- BMS

Part Number	Product Description	More Info
EVB_RT9426AWSC	System Side Single Cell Fuel Gauge	→
EVB_RT9490WSC	5A 1-4 Cell Buck-Boost Switching Battery Charger	→
EVB_RT9527GQW	Single Cell Li-Ion Battery Charger with Adjustable Charging Current for Portable Applications	→

- Sensor

Part Number	Product Description	More Info
EVB_RTQ6050GF	High-Side Measurement Current-Shunt Monitor with Comparator	→
EVB_RTQ6052GF	High-Side Measurement Current-Shun Monitor with Comparator	→
EVB_RTQ6053GQV	High-Side or Low-Side Measurement, Bi-Directional Current and Power Monitor with 16-Bit ADC Op Amp/ Alert	→
EVB_RTQ6056GF	High-Side or Low-Side Measurement, Bi-Directional Current and Power Monitor with 16-Bit ADC Op Amp/Alert	→

Evaluation Board

- Low-Dropout Linear Regulator

Product Category	Part Number	Product Description	More Info
DDR	EVB_RT2568GQW	DDR Termination Regulator	→
	EVB_RT9089AGQW	DDR Termination Regulator	→
Dual LDO	EVB_RT9055-NGWSC	300mA Dual LDO Regulator	→
High Vin	EVB_RT9074-33GSP	60V, 30μA IQ, Low Dropout Voltage Linear Regulator	→
High Vin, Low Iq	EVB_RT9069-33GQU	36V, 2μA IQ, Peak 200mA Low Dropout Voltage Linear Regulator	→
Low Vin	EVB_RT2519GQV(2)	1A, Low Noise, Ultra High PSRR, Low-Dropout Linear Regulator	→
	EVB_RT9081AGQZA(2)	500mA, 5.5V, Ultra Low Dropout Linear Regulator	→
	EVB_RTQ2522AGQW(2)	2A Ultra-Low Dropout Voltage LDO Regulators with Soft-Start	→
Low Vin, Low Iq	EVB_RT9073A-33GQZ	1μA IQ, 250mA Low-Dropout Linear Regulator	→
	EVB_RT9073N-33GB	1μA IQ, 250mA Low-Dropout Linear Regulator	→
Low Vin, Low Noise	EVB_RTQ2531WGQW	500mA, 5.5V, Ultra Low Noise, Linear Regulator	→
	EVB_RTQ2532NGQV(2)	2A, 6.5V, Ultra Low Noise, Ultra Low Dropout Linear Regulator	→
	EVB_RTQ2532WGQV(2)	2A, 6.5V, Ultra Low Noise, Ultra Low Dropout Linear Regulator	→
	EVB_RTQ2533WGQV(2)	3A, 6.5V, Ultra Low Noise, Ultra Low Dropout Linear Regulator	→



Evaluation Board

- LED Driver

Part Number	Product Description	More Info
EVB_RT4531WSC	Dual Channel 10s2p WLED Drivers	→

- Power Switch

Part Number	Product Description	More Info
EVB_RT9742AGJ5F	70m Ω /55m Ω , 3A/2A/1.5A/1A High-Side Power Switches with Flag	→
EVB_RTQ9728WGQW(2)	Precision Adjustable Current-Limited Power-Distribution Switches	→

- Switching Regulator

Product Category	Part Number	Product Description	More Info
Boost	EVB_RT4813GQUF	High Efficiency Boost Converter	→
	EVB_RT4813AGQUF	High Efficiency Boost Converter	→
	EVB_RT4822WSC	Wide Input and Ultra-Low Quiescent Current Boost Converter with High Efficiency and I2C Flexible Control	→

Evaluation Board

- Switching Regulator

Product Category	Part Number	Product Description	More Info
Buck-Boost	EVB_RT6154BGQW	High Efficiency Single Inductor Buck-Boost Converter	→
Buck, <5V, <1A	EVB_RT8008GB	1.5MHz, 600mA, High Efficiency PWM Step-Down DC/DC Converter	→
Buck, <5V, 1~6A	EVB_RT2101AGQW	2.95V to 6V Input, 3A Output, 2MHz, Synchronous Step-Down Converter	→
	EVB_RT5710AHGQW	1A, 1.5MHz, 6V CMCOT Synchronous Step-Down Converter	→
	EVB_RT5760AHGH6F	6V 1A, ACOT Buck Converter in Thin SOT-563 Package	→
	EVB_RT5784AGQWF	2A, 6V, 1.5MHz, 25μA IQ, ACOT Synchronous Step-Down Converter	→
	EVB_RT5785AGJ8F	2A, 6V, 1.5MHz, 25μA IQ, ACOT Synchronous Step-Down Converter	→
	EVB_RT5795AGQW	2A, 5.5V, Low IQ ACOT Synchronous Step-Down Converter	→
	EVB_RT5796AHGJ6	1.5A, 1MHz, 6V CMCOT Synchronous Step-Down Converter	→
	EVB_RT5797AHGQWA	3A, 1MHz, 6V CMCOT Synchronous Step-Down Converter	→
	EVB_RT8086BGQUF	3.5A, 1.2MHz, Synchronous Step-Down Converter	→
	EVB_RT8096AHGJ6	1A, 1.5MHz, 6V CMCOT Synchronous Step-Down Converter	→
	EVB_RTQ2103AGSP-QA	2A, 6V, Low IQ ACOT Synchronous Step-Down Converter	→



Evaluation Board

- Switching Regulator

Product Category	Part Number	Product Description	More Info
Buck, 5~18V, 1~6A	EVB_RT2853BHGQW	3A, 18V, 650kHz, ACOT Synchronous Step-Down Converter	→
	EVB_RT2859BHGQW	3A, 18V, 650kHz, ACOT Synchronous Step-Down Converter	→
	EVB_RT6206AHGQW	5.5A, 18V, 650kHz, ACOT Synchronous Step-Down Converter	→
	EVB_RT6212AHGJ6F	2A, 18V, 500kHz, ACOT Step-Down Converter	→
	EVB_RT6254AHGJ6F	4A, 18V, 500kHz, ACOT Step-Down Converter	→
	EVB_RT6255AHGJ6F	5A, 18V, 500kHz, ACOT Step-Down Converter	→
	EVB_RT6255BHGJ8F	5A, 18V, 500kHz, ACOT Step-Down Converter	→
	EVB_RT7231GQW	4A, 18V, 650kHz, ACOT Synchronous Step-Down Converter	→
	EVB_RT7232GQW	4A, 18V, 650kHz, ACOTTM Synchronous Step-Down Converter	→
	EVB_RT7235GQW	5A, 18V, 650kHz, ACOT Synchronous Step-Down Converter	→
	EVB_RT7236GQW	5A, 18V, 650kHz, ACOT Synchronous Step-Down Converter	→



Evaluation Board

- Switching Regulator

Product Category	Part Number	Product Description	More Info
Buck, 5~18V, 1~6A	EVB_RT7237AHGSP	2A, 18V, 340kHz Synchronous Step-Down Converter	→
	EVB_RT7237CHGSP	2A, 18V, 800kHz Synchronous Step-Down Converter	→
	EVB_RT7247AHGSP	2A, 18V, 340kHz Synchronous Step-Down Converter	→
	EVB_RT7247CHGSP	2A, 18V, 800kHz Synchronous Step-Down Converter	→
	EVB_RT7273GQW	3-CH, 18V, Synchronous Step-Down Converter	→
	EVB_RT7275GQW	3A, 18V, 700kHz ACOT Synchronous Step-Down Converter	→
	EVB_RT7276GQW	3A, 18V, 700kHz ACOT Synchronous Step-Down Converter	→
	EVB_RT7279GQW	2A, 18V, 700kHz ACOT Synchronous Step-Down Converter	→
	EVB_RT7280GQW	2A, 18V, 700kHz ACOT Synchronous Step-Down Converter	→
	EVB_RT7285CGJ6	1.5A, 18V, 500kHz ACOT Synchronous Step-Down Converter	→
	EVB_RT7294CGJ6F	2.5A, 18V, 500kHz ACOT Synchronous Step-Down Converter	→

Evaluation Board

- Switching Regulator

Product Category	Part Number	Product Description	More Info
Buck, 5~18V, 1~6A	EVB_RT7295CGJ6F	3.5A, 18V, 500kHz ACOT Synchronous Step-Down Converter	→
	EVB_RT7296AGJ8F	3A, 17V Current Mode Synchronous Step-Down Converter	→
	EVB_RT7297AHZSP	3A, 18V, 340kHz Synchronous Step-Down Converter	→
Buck, 5~18V, 6~12A	EVB_RT2810BHGQUF	10A, 18V, 500kHz, ACOT Synchronous Step-Down Converter	→
	EVB_RT2856GQW	6A, 18V, Synchronous Step-Down Converter	→
	EVB_RT6236AHGQUF	6A, 18V, 650kHz, ACOT Synchronous Step-Down Converter	→
	EVB_RT6238AHGQUF	8A, 18V, 500kHz, ACOT Synchronous Step-Down Converter	→
	EVB_RT6242AHGQUF	12A, 18V, 500kHz, ACOT Synchronous Step-Down Converter	→
	EVB_RT6250BHGQUF	18V, 10A, 500kHz ACOT Synchronous Step-Down Converter	→
	EVB_RT7243GQW	6A, 18V, Synchronous Step-Down Converter	→
	EVB_RT7298AHGQW	6A, 18V, Synchronous Step-Down Converter	→
	EVB_RT7298BHGQW	6A, 18V, Synchronous Step-Down Converter	→



Evaluation Board

- Switching Regulator

Product Category	Part Number	Product Description	More Info
Buck, 5~18V, 6~12A	EVB_RT7298BLGQW	6A, 18V, Synchronous Step-Down Converter	→
	EVB_RT7299BHGQW	8A, 18V, Synchronous Step-Down Converter	→
	EVB_RTQ2822AGQVF	12A, 17V, High Efficiency Synchronous Step-Down Converter	→
	EVB_RTQ2823AGQVF	8A, 17V, High Efficiency Synchronous Step-Down Converter	→
Buck, 18~24V, 1~6A	EVB_RT6219AGQW	4A, 23V, 500kHz, ACOT Synchronous Buck Converter	→
	EVB_RT8292AHZSP	2A, 23V, 340kHz Synchronous Step-Down Converter	→
	EVB_RT8293AHZSP	3A, 23V, 340kHz Synchronous Step-Down Converter	→
	EVB_RT8296AHZSP	3A, 23V, 340kHz Synchronous Step-Down Converter	→
Buck, 18~24V, 6~12A	EVB_RT6276BHGQUF	23V, 6A, 500kHz ACOT Synchronous Step-Down Converter	→
	EVB_RT6278BHGQUF	23V, 8A, 500kHz ACOT Synchronous Step-Down Converter	→
	EVB_RT6280BHGQUF	23V, 10A, 500kHz ACOT Synchronous Step-Down Converter	→
Buck, 24~36V, <1A	EVB_RT6200GE	0.6A, 36V, 1.2MHz Step-Down Converter	→

Evaluation Board

- Switching Regulator

Product Category	Part Number	Product Description	More Info
Buck, 24~36V, <1A	EVB_RT6208GE	High Efficiency, 36V 100mA Synchronous Step-Down Converter	→
Buck, 24~36V, 1~6A	EVB_RT2862GSP	3A, 36V, Synchronous Step-Down Converter	→
	EVB_RT2872GSP	3A, 36V, Synchronous Step-Down Converter	→
	EVB_RT2875BQGCP	3A, 36V, Synchronous Step-Down Converter	→
	EVB_RT6266GSP	2.4A, 36V, 100kHz Asynchronous Step-Down Converter with Load Line Compensation	→
	EVB_RT7272AGSP	3A, 36V, 500kHz Synchronous Step-Down Converter	→
	EVB_RT7272BGSP	3A, 36V, 500kHz Synchronous Step-Down Converter	→
	EVB_RT8279GSP	5A, 36V, 500kHz Step-Down Converter	→
	EVB_RTQ2104BPGSP-QA	36VIN, 3A, High Efficiency, 2.1MHz, Synchronous Step-Down Converter	→
	EVB_RTQ2105GQWT-QA	36VIN, 3A, High Efficiency Synchronous Step-Down Converter with Low Quiescent Current	→
	EVB_RTQ2131BGQW-QA	1A, 36V, 2.1MHz Synchronous Step-Down Converter	→



Evaluation Board

- Switching Regulator

Product Category	Part Number	Product Description	More Info
Buck, >36V, <1A	EVB_RT6204GSP	500mA, 60V, 350kHz Synchronous Step-Down Converter	→
	EVB_RTQ6360GQW	60VIN, 0.5A, Asynchronous Step-Down Converter with Low Quiescent Current	→
	EVB_RTQ6360GSP	60VIN, 0.5A, Asynchronous Step-Down Converter with Low Quiescent Current	→
Buck, >36V, 1~6A	EVB_RTQ6361GQW	60VIN, 1.5A, Asynchronous Step-Down Converter with Low Quiescent Current	→
	EVB_RTQ6361GSP	60VIN, 1.5A, Asynchronous Step-Down Converter with Low Quiescent Current	→
	EVB_RTQ6362GSP	60VIN, 2.5A, Asynchronous Step-Down Converter with Low Quiescent Current	→
	EVB_RTQ6363GQW	60VIN, 3.5A, Asynchronous Step-Down Converter with Low Quiescent Current	→
	EVB_RTQ6363GSP	60VIN, 3.5A, Asynchronous Step-Down Converter with Low Quiescent Current	→
Buck-Boost Controller	EVB_RT6190GQW_01	36V, 4-Switch Bidirectional Buck-Boost Controller with I2C Interface	→
	EVB_RT6190GQW_02	36V, 4-Switch Bidirectional Buck-Boost Controller with I2C Interface	→



BACK

Thank You



www.richtek.com



Richtek



Richtek Technology



立錡科技



Richtek 立錡科技



RICHTEK
your power partner.